



# Architectural Binder Section

## PrivaSEE™

## PrivaSEE™—All Glass Single Track Sliding System for Acoustical Separation

### Control Sound Transparently

NanaWall PrivaSEE is the only all glass single track sliding system specifically engineered for enhanced acoustical separation. PrivaSEE provides better sound buffering than many fixed all glass partitions. Patented (Patent No. US10590694) PrivaSEE has been independently tested and rated to an accomplished unit STC 36 and OITC 30.

PrivaSEE offers flexible space management solutions for offices, banks, schools, and more which goes beyond what a fixed glass partition provides. With no floor track required, PrivaSEE allows for uninterrupted transitions between interior spaces.

When the wall is closed, the beauty of an all glass aesthetic is realized with the added benefit of acoustical sound privacy. With concealed compression gaskets and locking, PrivaSEE allows for maximum transparency, natural daylighting and a clean, modern appearance making it suitable for all design styles.

### Transparent Vertical Acoustical Seals

Standard to all sliding panels and single action end panels, super clear vertical gaskets are used between panels for enhanced acoustical separation, which furthermore eliminates metal-to-metal or glass-to-glass contact. Seals virtually disappear from sight. Light transmittance (LT) of the sound seals has been independently tested and rated for 75% clarity and luminosity.

### Glazing Options for Enhanced Sound Privacy

Standard glass thickness supplied is 1/2" (13 mm) sound enhanced laminated glass providing unit STC 36. Additional options available are laminated for unit STC 34 and clear tempered for unit STC 32. All vertical edges of the glass panels come polished and miter cut, creating a clean finish. To reduce glass stress, glass is clamp installed for equal distribution of weight.

### Concealed Automatic Interlock

The automatic floor bolt is self-activated by simply moving the panels on to one another. Once the first panel is positioned, the following panel activates the wheel and ramp assembly to automatically release the floor bolt and horizontal compression seals, effectively locking the panel into place without the need to lock it manually. No kneeling is required.

### Horizontal Compression and Brush Seals

The horizontal continuous door rails come standard equipped with a combination of double fin brushes and a concealed self-activated compression drop seal.

### Single Track Sliding for Limitless Layout Flexibility

Offering complete design flexibility, the single track sliding design is able to create an unlimited span of top-hung panels which are able to easily navigate with single handed operation. PrivaSEE is available in various configurations from standard stacking to 90° Open Corner, 135° Segmented Corner, T-intersection, and 4-Way Stop.

### Customizable Stacking Options for Space Management

To optimize space management or to solve unique design challenges, stacking options and minimal parking bays can be designed with a high grade of customization.

### 4 1/8" Continuous Rail for Outstanding Aesthetics

The PrivaSEE system comes standard with a 4 1/8" (104 mm) continuous top and bottom horizontal rail allowing for a beautiful aesthetic and maximum glass.

### Intelligent Rollers for Single Hand Operation

The unique "intelligent" rollers and guide technology ensure for easy, trouble-free, single hand operation. The rollers are designed using hardened encapsulated steel ball bearings with glass fiber reinforced polyamide wheels with memory effect for quiet and smooth operation. Furthermore, polyamide bumpers are located on the side of the carrier to avoid metal-to-metal contact of the carriers inside the track.

### Tall Heights and Wide Widths

Standard PrivaSEE comes in sizes up to 4' 1" (1250 mm) in width and 10' 6" (3200 mm) in height for sliding panels. For single action end panels (non-sliding), sizes available are up to 3' 7" (1100 mm) in width and 10' 6" (3200 mm) in height. Please confirm with local codes on height limits with 1/2" (13 mm) thick laminated glass.

### Added Security in an All Glass System

For projects requiring the highest level of security, PrivaSEE can be configured with an additional locking feature on the top rail for single action end panels and for no kneeling required, the optional foot activated floor bolt.

### Single Action End Panels (Non-sliding)

End panels are single action panels with offset hinges and floor closers that are capable of opening up to 180°. Single action end panels with pivot points has passed 500,000 cycle testing. To meet ADA requirements, an acrylic chamfer rail is available to maintain the consistent glass line with adjacent panels.

### Non-Entry Single Action End Panels (Non-sliding)

To meet the needs of designs requiring smaller parking bays, the single action end panels can be as narrow as 1' 8" (500 mm) to accommodate space/layout requirements. These non-entry single action end panels are equipped with a standard locking feature on the top and bottom rails. A full 180° panel swing is possible.

### Traffic Pattern Requirements

To meet the needs of traffic patterns, standard to all designs will be a single action end panel with floor closer and offset hinges. Also available is a single action end panel with floor closer and offset hinges at both ends of the system.

### Other Locking

All single action end panels are equipped with a foot activated floor bolt or a half mortise cylinder lock at the swing end of the panel in the interior. For additional security, a crank handle operated surface mounted bolt can be added at the top rail.

An additional locking option is the Locking Ladder Pull brushed stainless steel finish handle/locking system. ADA-complaint push/pull handles are available.

**The Locking Ladder Pull integrates a locking mechanism with a mortise key/key cylinder lock at handle height, with thumb turn operation from inside and key operation from outside.** The tubular designed handle eliminates the need of kneeling down in order to lock the panel at the bottom rail with a key.

When automatic floor bolts between panels are not possible, then the foot activated floor bolt is used. Additional options include a half mortise cylinder.

### Adjustable Eccentric Floor Sockets for Changes in Site Conditions

To receive the floor bolts, standard to the PrivaSEE are eccentric floor sockets. The built-in adjustability helps to deal with tolerances and building settlements. Optional high heel resistant inserts are available.

### Door Closers

For single action end panels with offset hinges, a floor closer is provided. In cases where a floor closer cannot be recessed into the floor, a top door closer can be provided. However, the opening angle of the panel with top door closer is limited to 150°.

### Push/Pull Handles

Standard to PrivaSEE are custom-made brushed stainless steel finish door pull options with built-in bumpers to protect against metal-to-glass contact. Other finish options, such as powder coated RAL colors, are also available (contact NanaWall for details).

Also available is a push plate with pull handle option. If requested, NanaWall Systems will also prep the glass to accept door pulls and panic hardware provided by others in order to match project specific designs.

### Finish Options for Door Rails and Head Track

Available standard door rail finish is clear anodized. Options include: brushed anodized, dark bronze anodized, and black anodized. To match the ceiling, recessed head track is offered with powder coat RAL 9016 Traffic White finish. Custom colors and standard RAL colors are also an available option.


### Matching End Caps

For added aesthetic value, end caps with male/female interlock in coordinating colors will be used.

### Differential Deflection

To meet the IBC 2403.4 code for larger panels with 1/2" (13 mm) glass, H-profile is standard between sliding panels. A h-profile is supplied for a single action end panel adjacent to a sliding panel.

## PrivaSEE

TYPE OF TEST	RESULTS
 <p>Acoustical Performance <sup>①</sup></p>	<p>STC (Rw) 36 achieved with STC 40 sound enhanced glass (1/2" [13 mm] laminated)</p>

① Excerpts of results of a four panel unit 13' 1 13/16" W x 9' 1 7/16" H (4008 mm x 2780 mm) tested in April 2016 by SG Bauakustik, Muelheim an der Ruhr, Germany, an EN DIN ISO accredited and certified independent testing laboratory.

**Check [www.NanaWall.com](http://www.NanaWall.com) for the latest updates.**

## Acoustical Performance Interpolation with Other Glazing Options





TYPE OF GLASS	GLASS ONLY STC	ECCENTRIC FLOOR SOCKETS	
		COMPLETE SYSTEM STC (Rw)	MAXIMUM UNIT HEIGHT POSSIBLE (*)
1/2" (13 mm) tempered	36	32	10' 6" (3200 mm)
1/2" (13 mm) laminated	38	34	10' 6" (3200 mm)
1/2" (13 mm) sound enhanced laminated	40	36	10' 6" (3200 mm)

### NOTES

(\*) can vary, dependent on weight of the glass

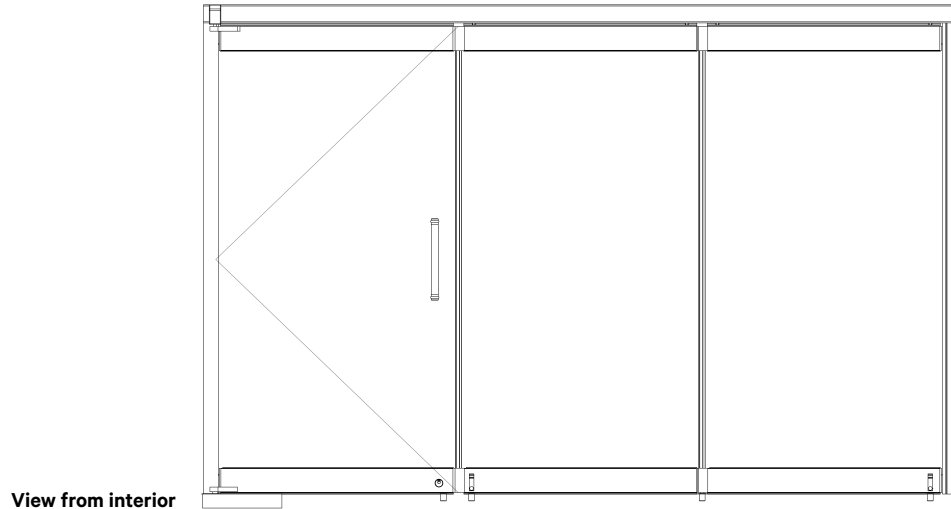
Contact NanaWall for other glass types.

## Performance Results PrivaSEE

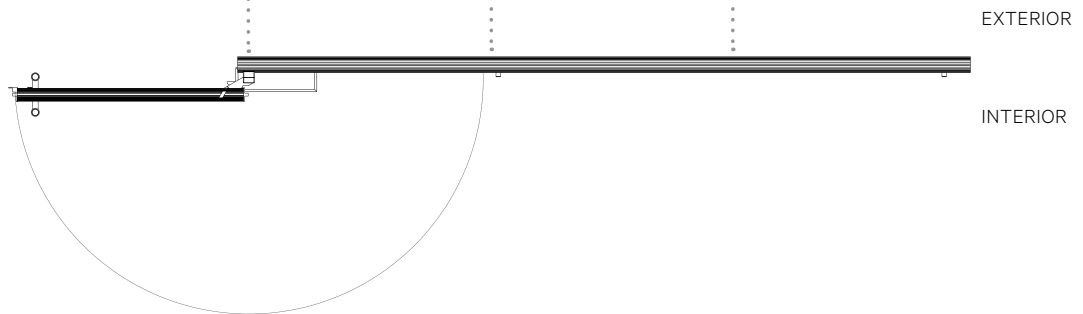
TYPE OF TEST	TESTING RESULTS
 <b>Air Infiltration</b> <sup>①</sup> ASTM E-283	@ <b>1.57</b> psf (75 Pa): <b>0.46</b> cfm/ft <sup>2</sup>
 <b>Forced Entry Resistance</b> <sup>①</sup> AAMA 1304	Pass
 <b>Operating Force</b> <sup>①</sup> ASTM E-2068	PrivaSEE meets: <ul style="list-style-type: none"> <li>Sliding Panel: Initiate Motion - 1.5 lbf (7 N) &amp; Maintain Motion - 1 lbf (4 N)</li> <li>Single Action End Panel: Initiate Motion - 1 lbf (4 N) &amp; Maintain Motion - 1 lbf (4 N)</li> </ul>
 <b>Operation / Cycling Performance</b> <sup>①</sup> AAMA 920	Swing panel 500,000 cycles: Pass

<sup>①</sup> Excerpts of results of testing a four panel ClimaCLEAR unit of size 12' 0" W x 8' 8" H (3676 mm x 2642 mm) and 1/2" (12 mm) thick tempered glass with three sliding panels and a single action end panel tested by Architectural Testing, Inc., Fresno, CA, an independent testing laboratory in November 2016.

## Maximum Size Chart for PrivaSEE for Different Panel Types



MAXIMUM PANEL SIZES WITH GLASS THICKNESS OF 1/2" (13 mm)	Single Action End Panel with Offset Hinge and Floor Closer	Sliding Panel	Sliding Panel
Maximum Unit Height	10' 6" (3200 mm)	10' 6" (3200 mm)	10' 6" (3200 mm)
Maximum Panel Width	3' 7" (1100 mm)	4' 1" (1250 mm)	4' 1" (1250 mm)
Minimum Panel Width	1' 8" (500 mm)	1' 8" (500 mm)	1' 8" (500 mm)



The individual panels can also be of differing widths.

**Maximum sizes for 1/2" (13 mm) as shown is per Glass Association of North America (GANA) recommendations, provided that the supplied H-Profiles are field installed between sliding panels.**

Applicable codes may limit the maximum sizes possible to be less than what NanaWall allows.

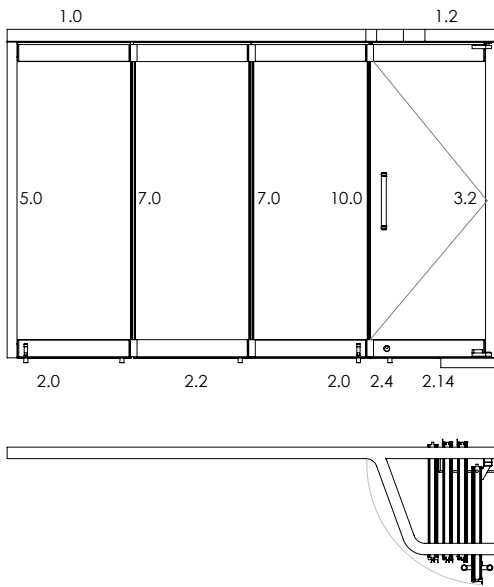
**Elevation Drawings and plan views of typical parking bay configurations.**

Please see referenced cross-section details. Should you require design assistance on the many parking bay possibilities, please consult <https://www.nanawall.com/professionals/design-assistance>. NanaWall Systems offers a complimentary 3D Conceptual Drawings service and 3D Configurator for CAD/Revit/Specs to help in the design/development process.

**Note:** The number of panels in a system is unlimited. Single action end panels are possible on both ends of the configuration.

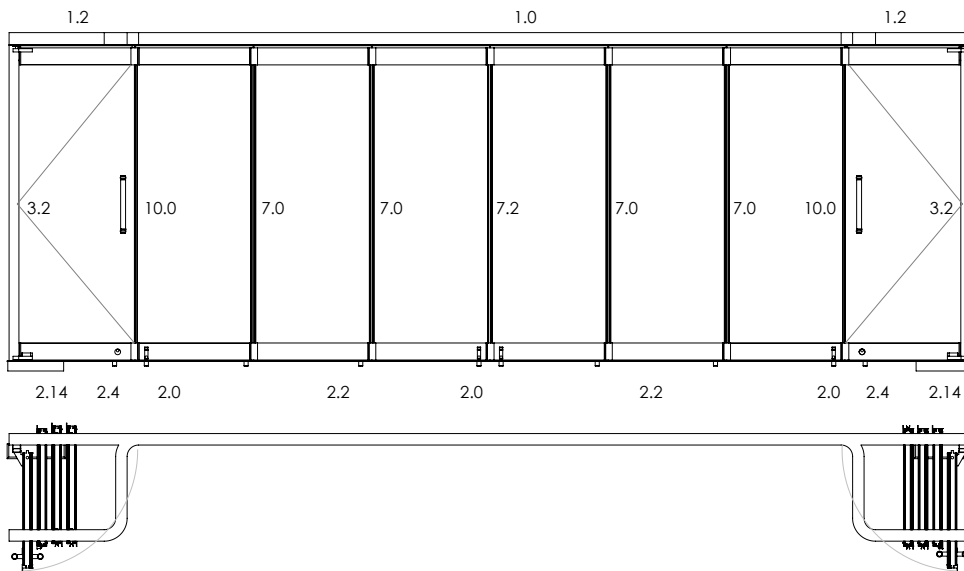
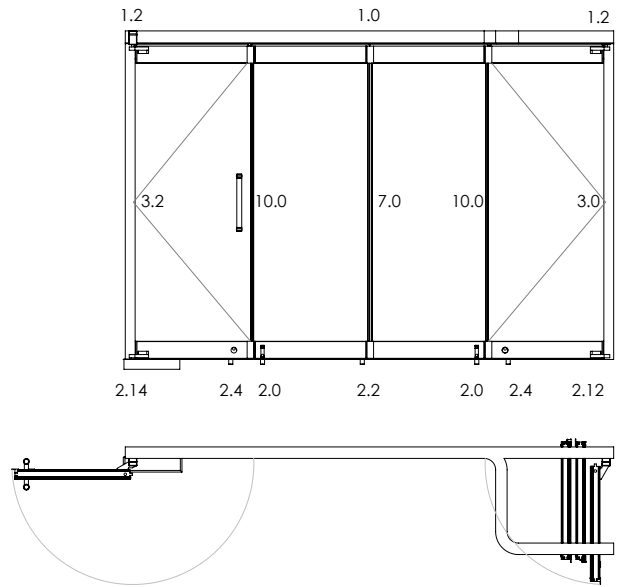
**PARKING BAY A  
with Single Action End Panel**

Perpendicular stacking in the opening with single action end panel with offset hinge and floor closer



**PARKING BAY A  
with Single Action End Panel and Non-Entry Single Action End Panel at Other End**

Perpendicular stacking in the opening with single action end panel with offset hinge and floor closer at the left and a non-entry single action end panel at the right



**PARKING BAY A  
with Single Action End Panel  
at Both Ends**

Perpendicular stacking in the opening with single action end panels with offset hinge and floor closer at both ends

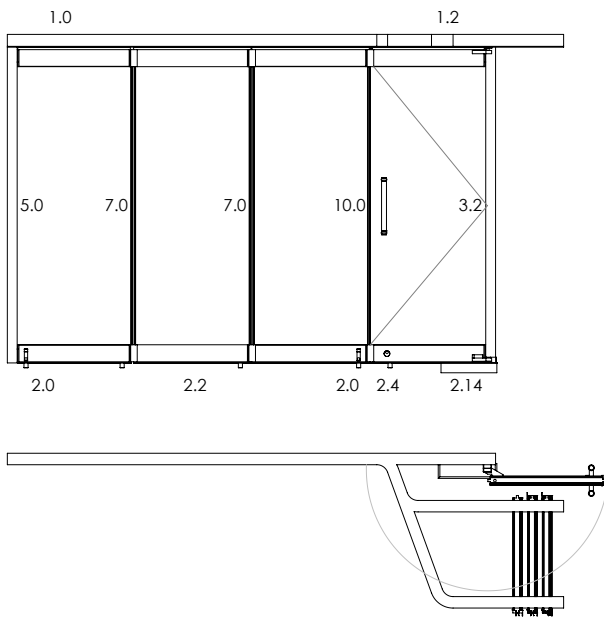
**Elevation Drawings and plan views of typical parking bay configurations.**

Please see referenced cross-section details. Should you require design assistance on the many parking bay possibilities, please consult <https://www.nanawall.com/professionals/design-assistance>. NanaWall Systems offers a complimentary 3D Conceptual Drawings service and 3D Configurator for CAD/Revit/Specs to help in the design/development process.

**Note:** The number of panels in a system is unlimited. Single action end panels are possible on both ends of the configuration.

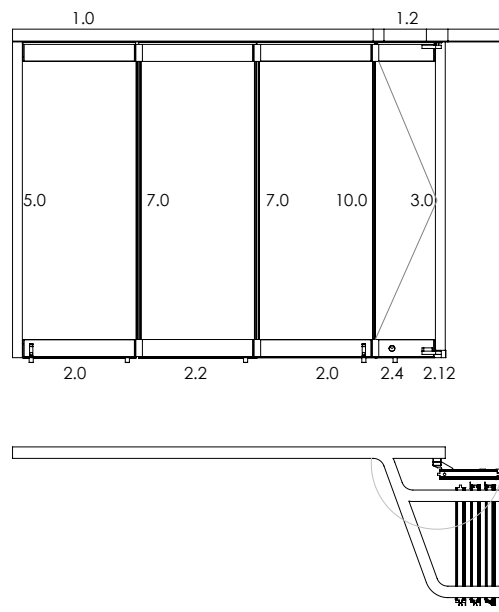
**PARKING BAY I  
with Single Action End Panel**

Perpendicular stacking outside the opening with single action end panel with offset hinge and floor closer



**PARKING BAY I  
with Non-Entry Single Action End Panel**

Perpendicular stacking outside the opening with non-entry single action end panel with offset hinge





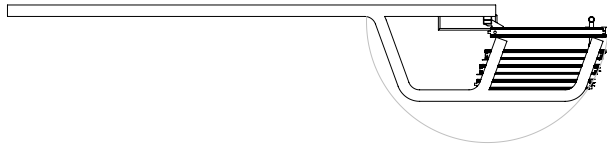
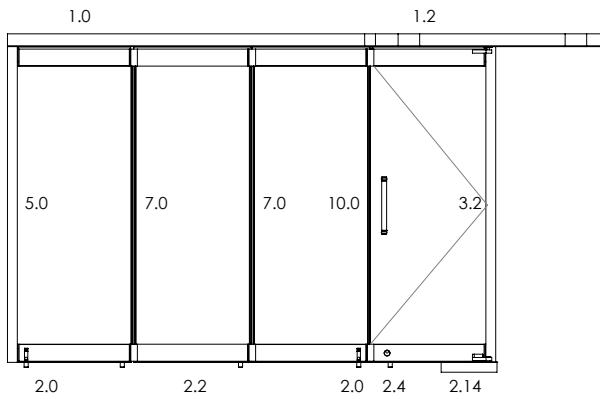
**Elevation Drawings and plan views of typical parking bay configurations.**

Please see referenced cross-section details. Should you require design assistance on the many parking bay possibilities, please consult <https://www.nanawall.com/professionals/design-assistance>. NanaWall Systems offers a complimentary 3D Conceptual Drawings service and 3D Configurator for CAD/Revit/Specs to help in the design/development process.

**Note:** The number of panels in a system is unlimited. Single action end panels are possible on both ends of the configuration.

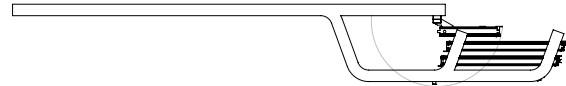
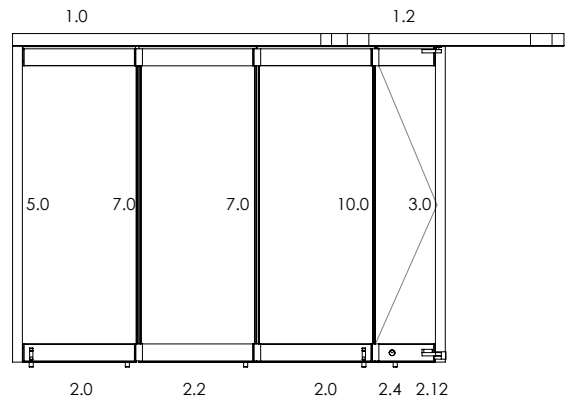
**PARKING BAY E  
with Single Action End Panel**

Parallel stacking outside the opening with single action end panel with offset hinge and floor closer



**PARKING BAY E  
with Non-Entry Single Action End Panel**

Parallel stacking outside the opening with non-entry single action end panel with offset hinge



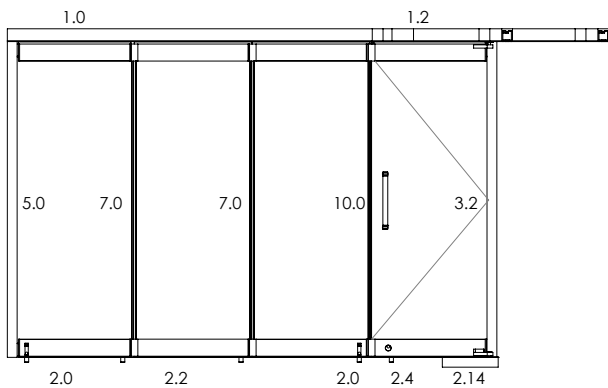
**Elevation Drawings and plan views of typical parking bay configurations.**

Please see referenced cross-section details. Should you require design assistance on the many parking bay possibilities, please consult <https://www.nanawall.com/professionals/design-assistance>. NanaWall Systems offers a complimentary 3D Conceptual Drawings service and 3D Configurator for CAD/Revit/Specs to help in the design/development process.

**Note:** The number of panels in a system is unlimited. Single action end panels are possible on both ends of the configuration.

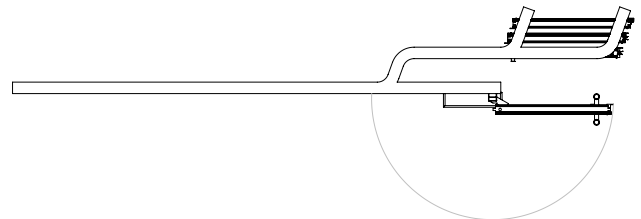
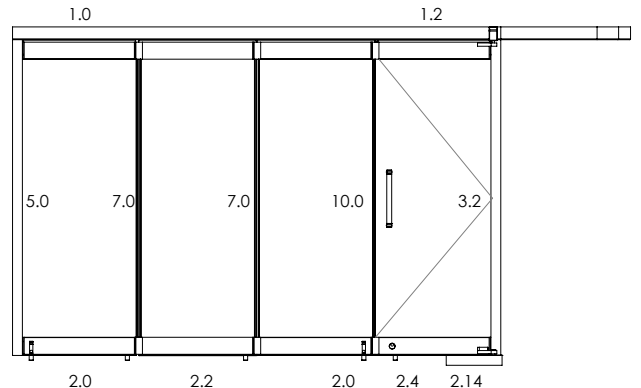
**PARKING BAY G  
with Single Action End Panel**

Parallel stacking outside the opening with single action end panel with offset hinge and floor closer



**PARKING BAY G  
with Single Action End Panel**

Parallel stacking to one side of the opening with single action end panel with offset hinge and floor closer to the other side



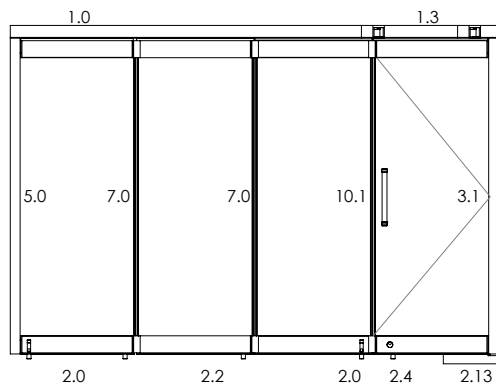
**Elevation Drawings and plan views of typical parking bay configurations.**

Please see referenced cross-section details. Should you require design assistance on the many parking bay possibilities, please consult <https://www.nanawall.com/professionals/design-assistance>. NanaWall Systems offers a complimentary 3D Conceptual Drawings service and 3D Configurator for CAD/Revit/Specs to help in the design/development process.

**Note:** The number of panels in a system is unlimited. Single action end panels are possible on both ends of the configuration.

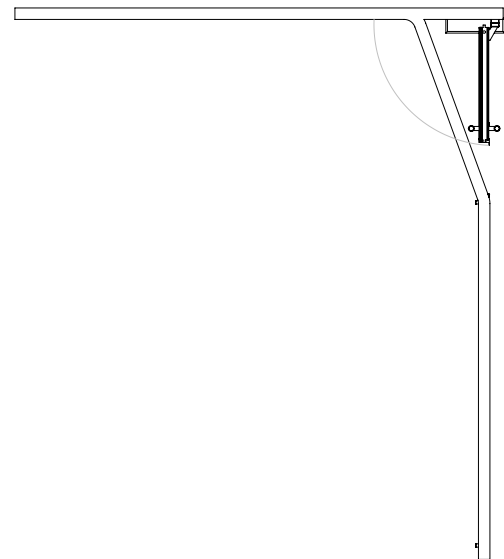
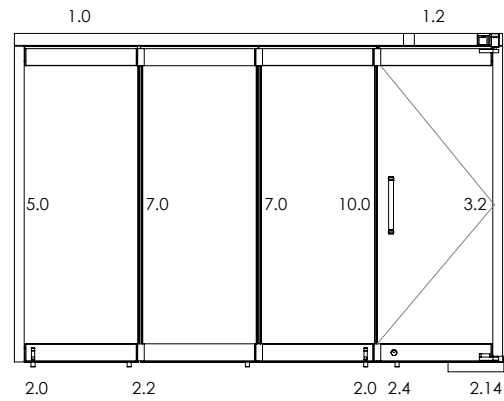
**PARKING BAY L  
with Single Action End Panel**

Parallel stacking within the opening with single action end panel with offset hinge and floor closer to the opposite side



**PARKING BAY R  
with Single Action End Panel**

Perpendicular stacking outside the opening along the wall with single action end panel with offset hinge and floor closer



**Elevation Drawings and plan views of typical parking bay configurations.**

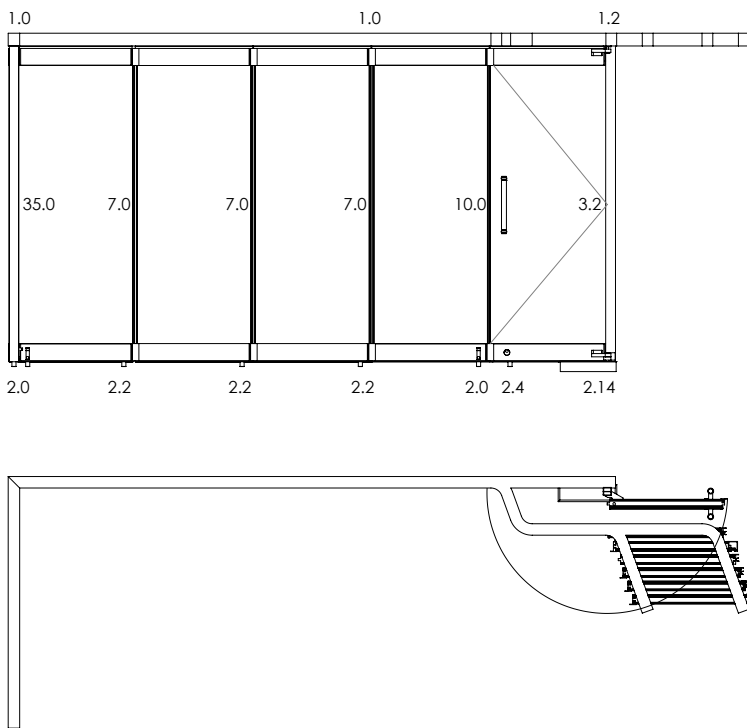
Please see referenced cross-section details. Should you require design assistance on the many parking bay possibilities, please consult <https://www.nanawall.com/professionals/design-assistance>. NanaWall Systems offers a complimentary 3D Conceptual Drawings service and 3D Configurator for CAD/Revit/Specs to help in the design/development process.

**Note:** The number of panels in a system is unlimited. Single action end panels are possible on both ends of the configuration.

**PARKING BAY G**

**90° Open Corner Configuration with Single Action End Panel**

Parallel stacking outside the opening with single action end panel with offset hinge and floor closer



**Elevation Drawings and plan views of typical parking bay configurations.**

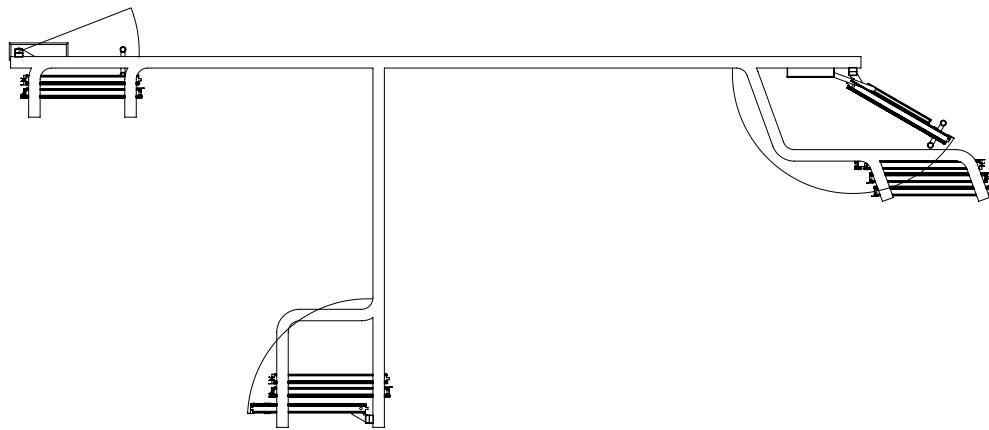
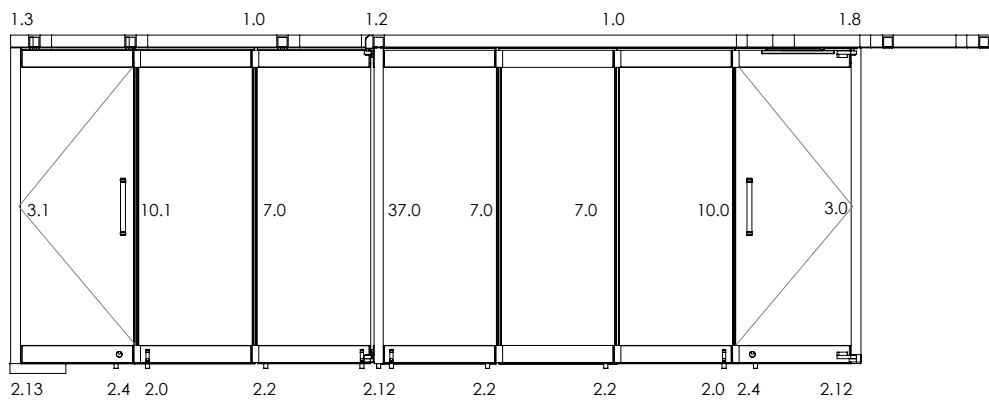
Please see referenced cross-section details. Should you require design assistance on the many parking bay possibilities, please consult <https://www.nanawall.com/professionals/design-assistance>. NanaWall Systems offers a complimentary 3D Conceptual Drawings service and 3D Configurator for CAD/Revit/Specs to help in the design/development process.

**Note:** The number of panels in a system is unlimited. Single action end panels are possible on both ends of the configuration.

**PARKING BAY A, G, & L**

**T-Intersection Configuration with Single Action End Panels**

Various parallel and perpendicular stacking with single action end panels with offset hinge, floor closer, and optional top door closer



**Elevation Drawings and plan views of typical parking bay configurations.**

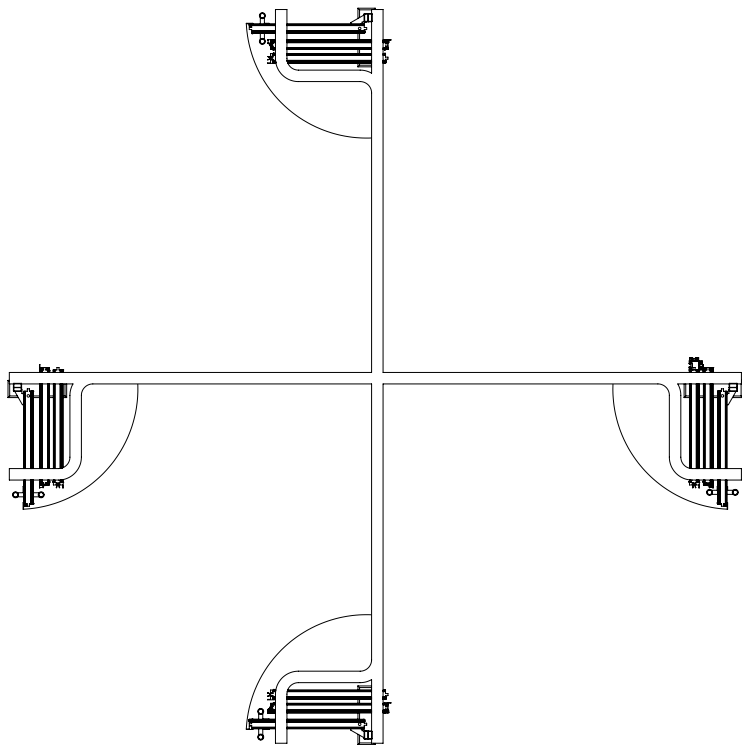
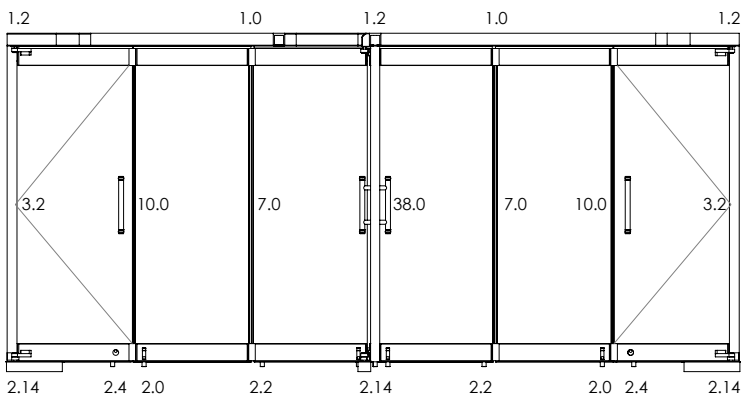
Please see referenced cross-section details. Should you require design assistance on the many parking bay possibilities, please consult <https://www.nanawall.com/professionals/design-assistance>. NanaWall Systems offers a complimentary 3D Conceptual Drawings service and 3D Configurator for CAD/Revit/Specs to help in the design/development process.

**Note:** The number of panels in a system is unlimited. Single action end panels are possible on both ends of the configuration.

**PARKING BAY A**

**4-Way Stop Configuration with Single Action End Panels**

Perpendicular stacking in opening with single action end panels with offset hinge and floor closer



**Elevation Drawings and plan views of typical parking bay configurations.**

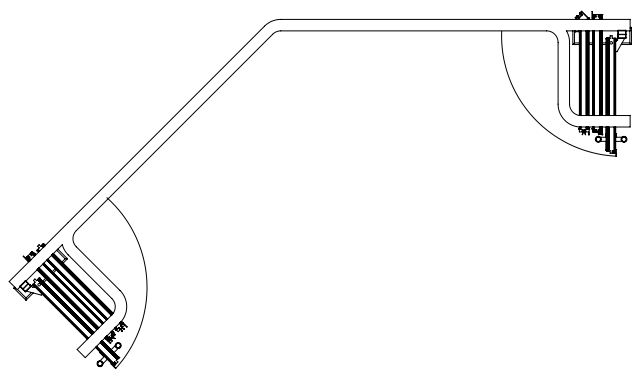
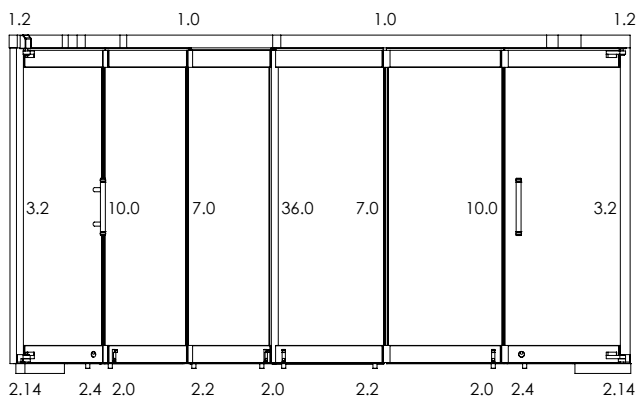
Please see referenced cross-section details. Should you require design assistance on the many parking bay possibilities, please consult <https://www.nanawall.com/professionals/design-assistance>. NanaWall Systems offers a complimentary 3D Conceptual Drawings service and 3D Configurator for CAD/Revit/Specs to help in the design/development process.

**Note:** The number of panels in a system is unlimited. Single action end panels are possible on both ends of the configuration.

**PARKING BAY A**

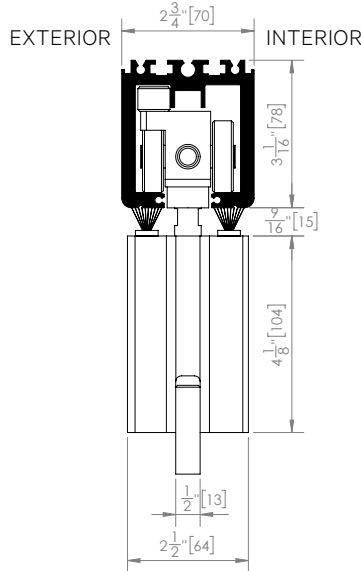
**135° Segmented Corner Configuration with Single Action End Panel at Both Ends**

Perpendicular stacking in opening with single action end panels with offset hinge and floor closer

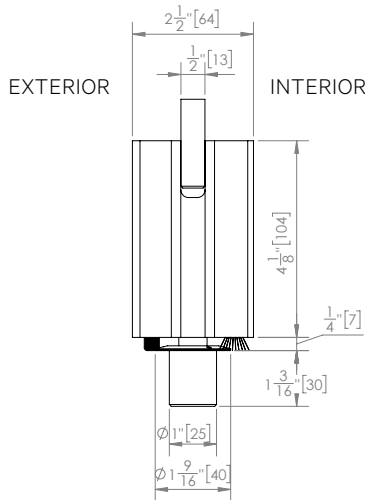


Details are shown with 1/2" (13 mm) thick glass

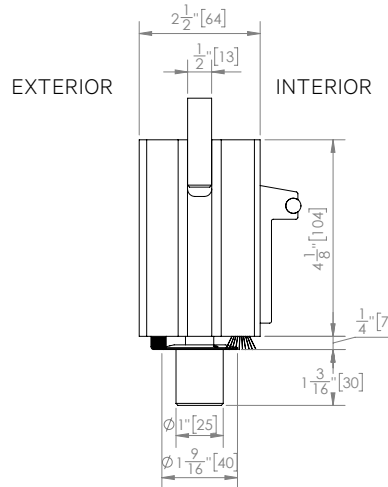
**Detail 1.0**  
Head Profile -  
Sliding Panel



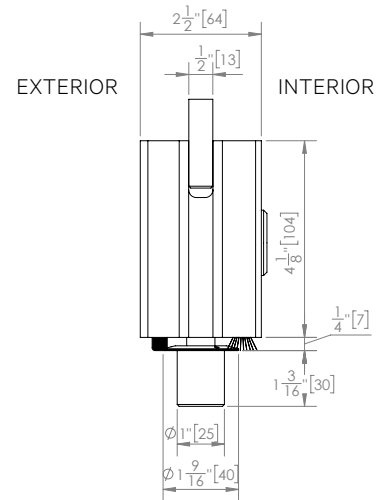
**Detail 2.2**  
Bottom Profile - Sliding  
Panel with Concealed  
Automatic Interlock



**Detail 2.0**  
Bottom Profile - Sliding  
Panel with Foot Activated  
Floor Bolt



**Detail 2.4**  
Bottom Profile with Half  
Mortise Cylinder

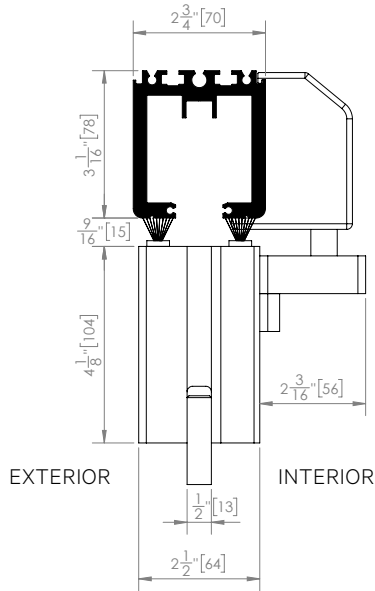




Details are shown with 1/2" (13 mm) thick glass

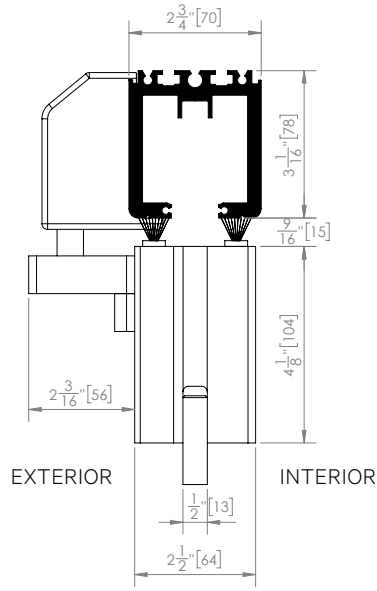
**Detail 1.2**

Head Profile - Single Action End Panel and Non-Entry Single Action End Panel with Offset Hinge (Inswing)



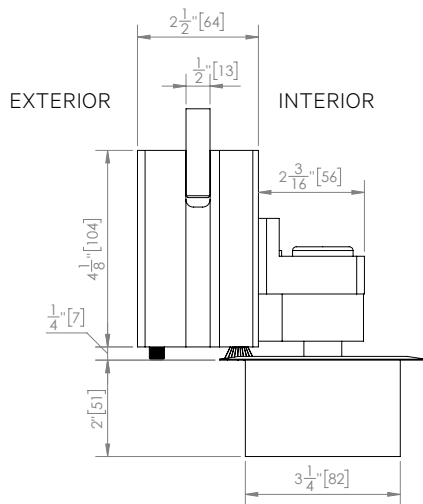
**Detail 1.3**

Head Profile - Single Action End Panel and Non-Entry Single Action End Panel with Offset Hinge (Outswing)



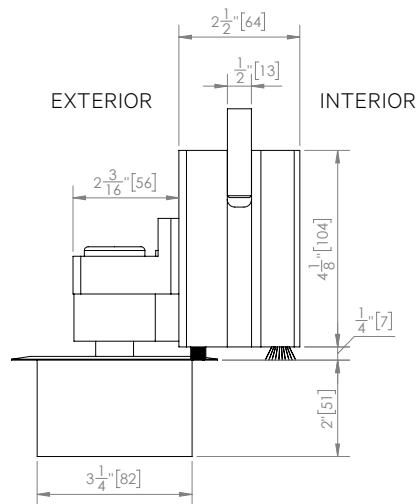
**Detail 2.14**

Bottom Profile - Single Action End Panel with Offset Hinge and Floor Closer (Inswing)



**Detail 2.13**

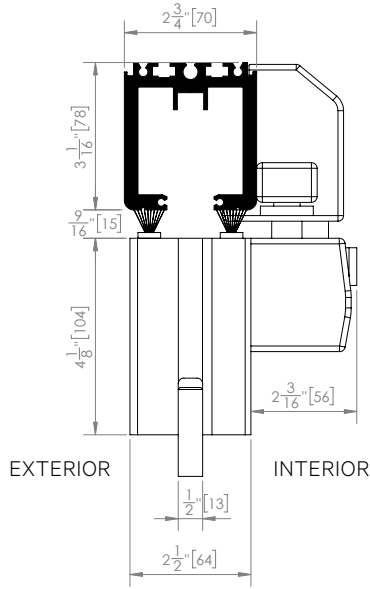
Bottom Profile - Single Action End Panel with Offset Hinge and Floor Closer (Outswing)



Details are shown with 1/2" (13 mm) thick glass

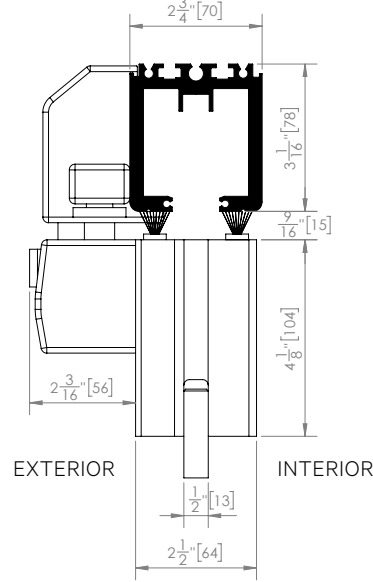
**Detail 1.8**

Head Profile - Single Action End Panel with Offset Hinge and Top Door Closer (Inswing)  
 [Note: Door swing limited to 150°]



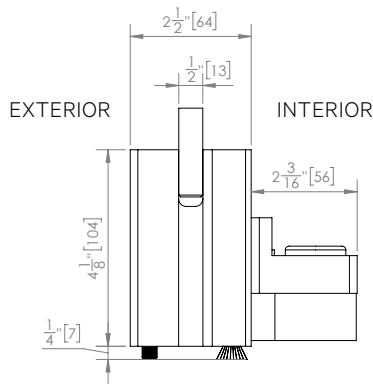
**Detail 1.9**

Head Profile - Single Action End Panel with Offset Hinge and Top Door Closer (Outswing)  
 [Note: Door swing limited to 150°]



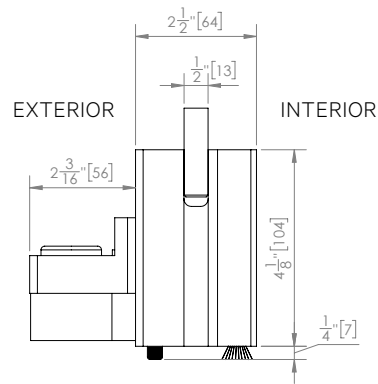
**Detail 2.12**

Bottom Profile - Single Action End Panel and Non-Entry Single Action End Panel with Offset Hinge (Inswing)



**Detail 2.11**

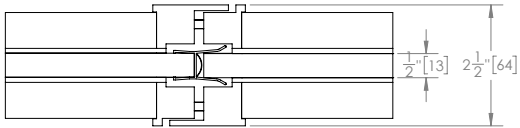
Bottom Profile - Single Action End Panel and Non-Entry Single Action End Panel with Offset Hinge (Outswing)



Details are shown with 1/2" (13 mm) thick glass

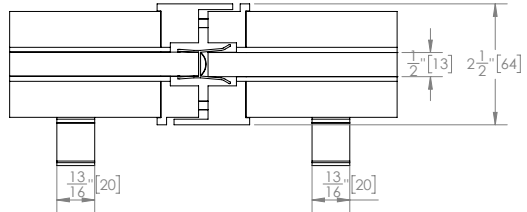
**Detail 7.0**

Meeting of Sliding Panels with  
Concealed Automatic Interlock



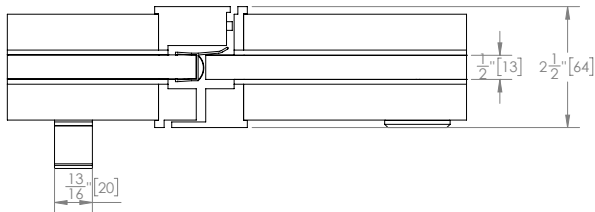
**Detail 7.2**

Meeting of Sliding Panels with  
Foot Activated Floor Bolt



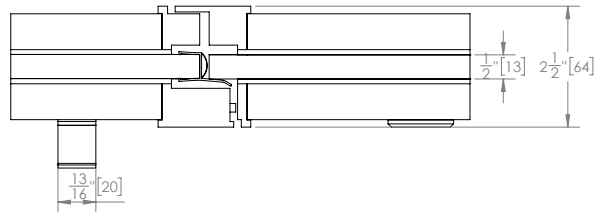
**Detail 10.0**

Meeting of Sliding Panel with Foot Activated Floor Bolt  
and Single Action End Panel or Non-Entry Single Action  
End Panel with Half Mortise Cylinder (Inswing)



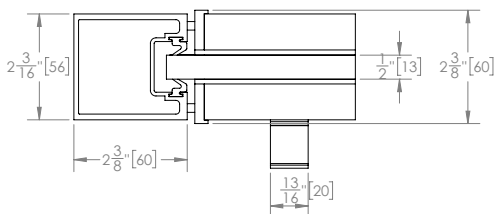
**Detail 10.1**

Meeting of Sliding Panel with Foot Activated Floor Bolt  
and Single Action End Panel or Non-Entry Single Action  
End Panel with Half Mortise Cylinder (Outswing)



**Detail 5.0**

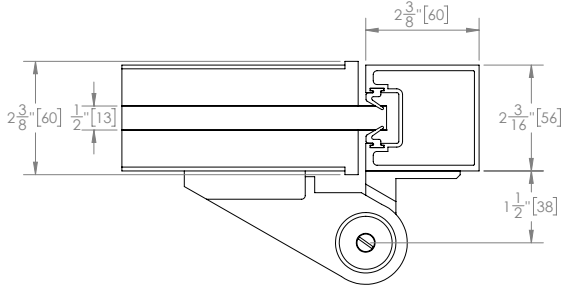
End Sliding Panel with Foot Activated  
Floor Bolt and Side Jamb



Details are shown with 1/2" (13 mm) thick glass

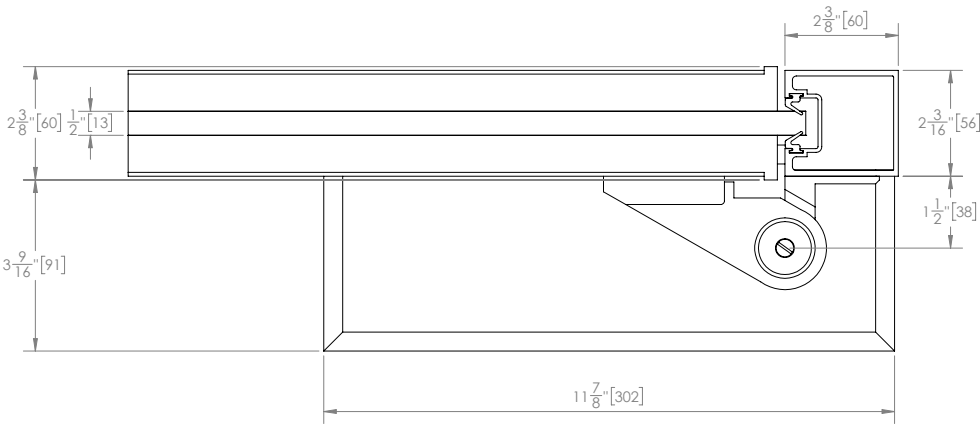
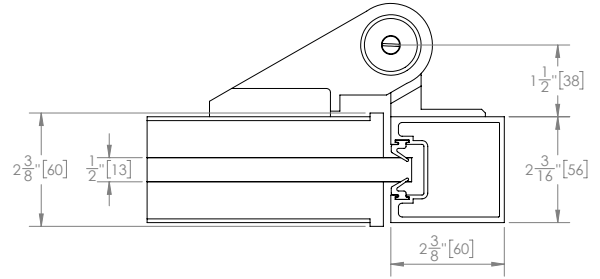
**Detail 3.0**

Single Action End Panel and Non-Entry Single Action End Panel with Offset Hinge at Side Jamb (Inswing)



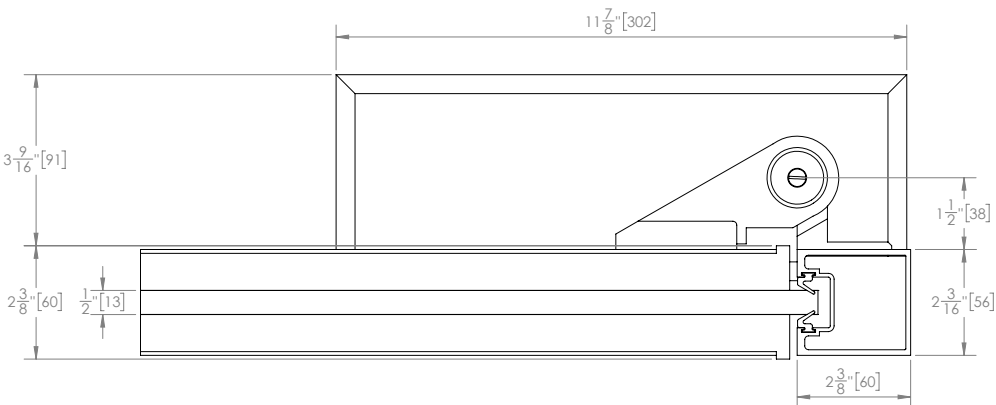
**Detail 3.3**

Single Action End Panel and Non-Entry Single Action End Panel with Offset Hinge at Side Jamb (Outswing)



**Detail 3.2**

Single Action End Panel with Offset Hinge and Floor Closer at Side Jamb (Inswing)



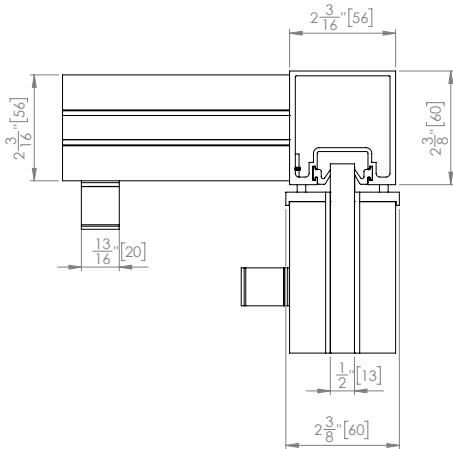
**Detail 3.1**

Single Action End Panel with Offset Hinge and Floor Closer at Side Jamb (Outswing)

Details are shown with 1/2" (13 mm) thick glass

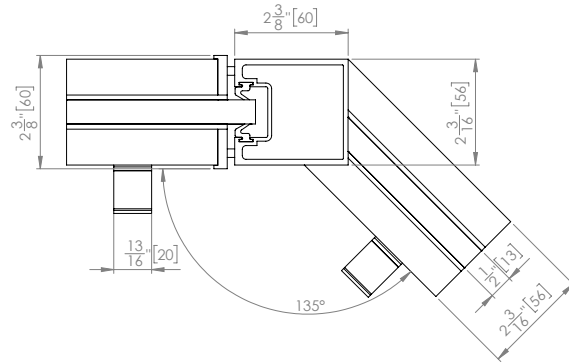
**Detail 35**

90° Open Corner; 2 Sliding Panels Meet at Corner Post with Foot Activated Floor Bolts



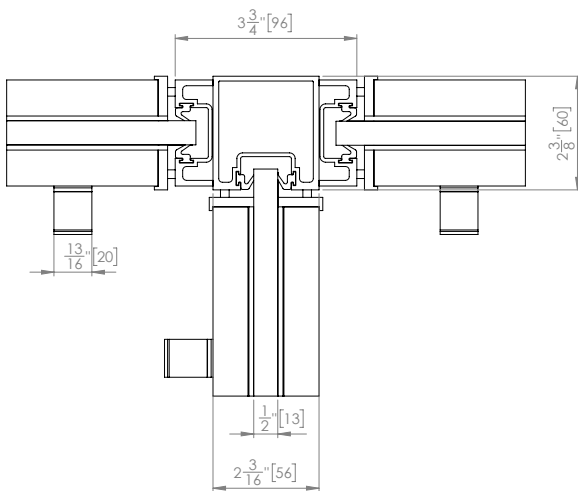
**Detail 36**

135° Segmented Corner; 2 Sliding Panels Meet at Corner Post with Foot Activated Floor Bolts



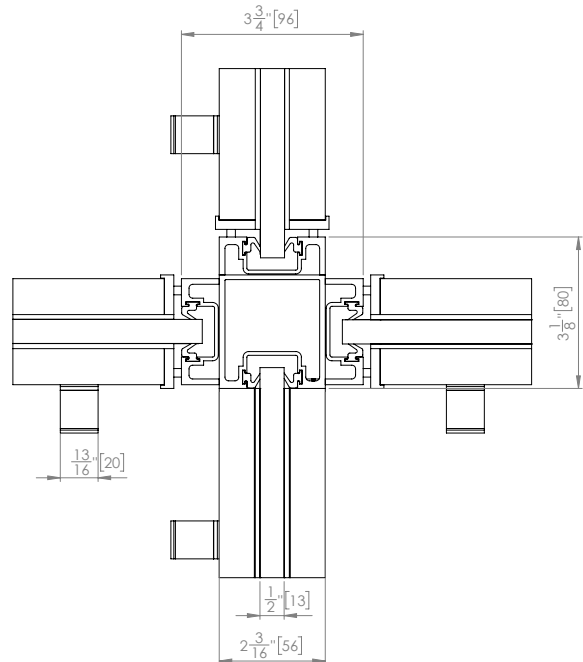
**Detail 37**

T-intersection; 3 Sliding Panels Meet at Corner Post with Foot Activated Floor Bolts



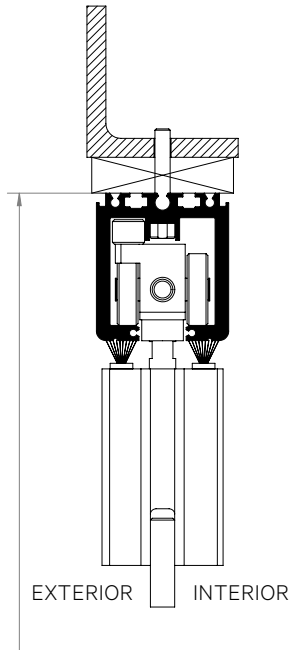
**Detail 38**

4-Way Stop; 4 Sliding Panels Meet at Corner Post with Foot Activated Floor Bolts

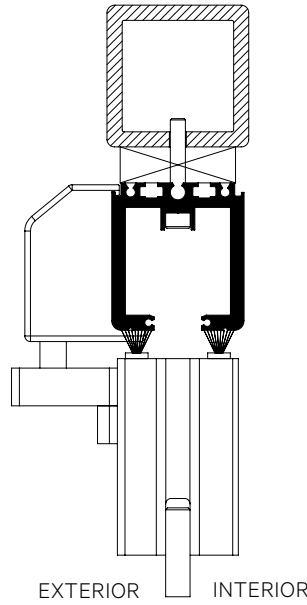


Details are shown with 1/2" (13 mm) thick glass

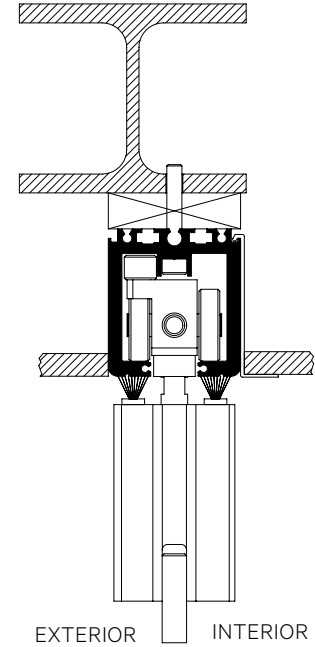
Head Track with L-Bracket



Head Track with Steel Tube

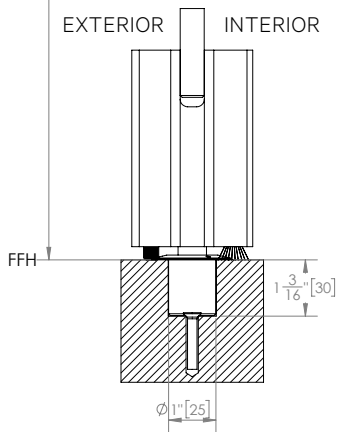


Head Track and Suspended Ceiling Support Profile with I-Beam



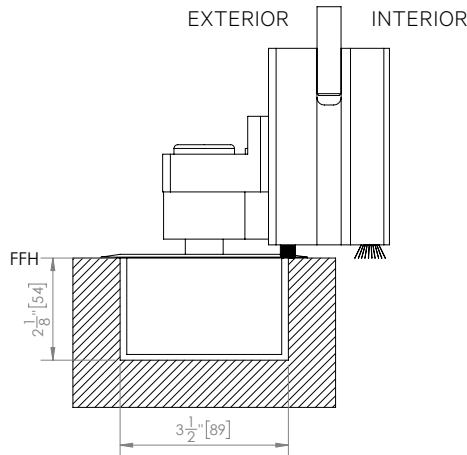
UNIT HEIGHT

EXTERIOR INTERIOR

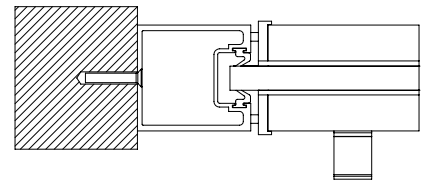


Adjustable Floor Socket with Black Polyamide Insert

EXTERIOR INTERIOR



Offset Hinge and Floor Closer for Single Action End Panel



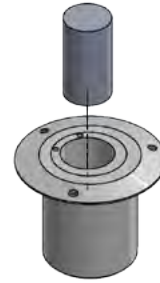
Side Jamb for End Sliding Panel



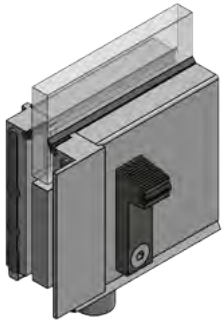
Adjustable Eccentric Floor Socket



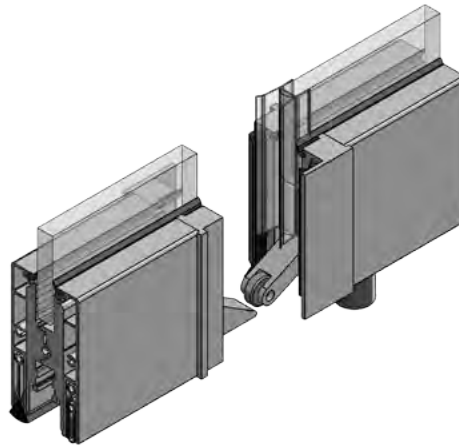
Floor Socket for Concealed Automatic Interlock with Black Polyamide Insert



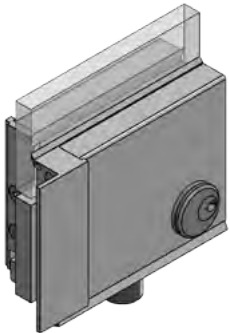
Floor Socket with High Heel Protector Insert



Bottom Profile with Foot Activated Floor Bolt

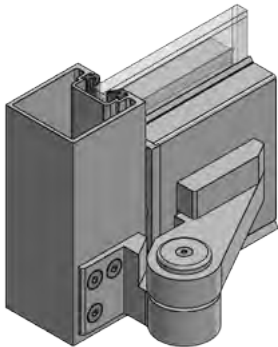


Bottom Profile with Concealed Automatic Interlock

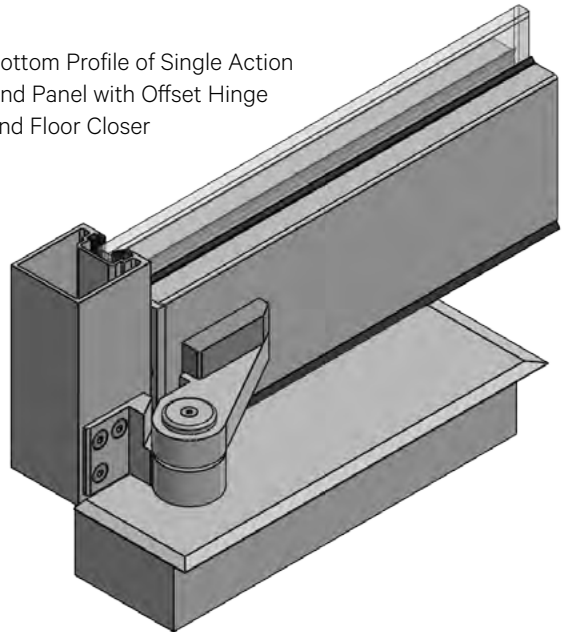


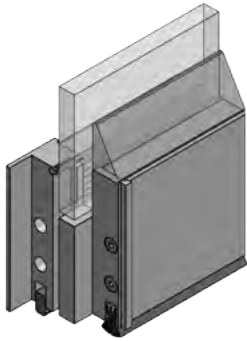
Bottom Profile with Half Mortise Cylinder on Inside Only

Bottom Profile of Single Action End Panel with Offset Hinge and Floor Closer



Bottom Profile of Single Action End Panel and Non-Entry Single Action End Panel with Offset Hinge

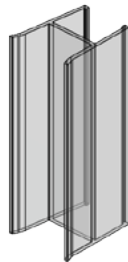




Acrylic Chamfer Rail



For **Detail 10.0**  
and **10.1**



For **Detail 7.0**  
and **7.2**

Transparent Vertical Acoustical Seals



Locking Ladder Pull Handle  
with IC RIM HOUSINGS  
ICR7 and Construction Core  
Cylinder Outside and Thumb  
Turn Inside at Hand Height

