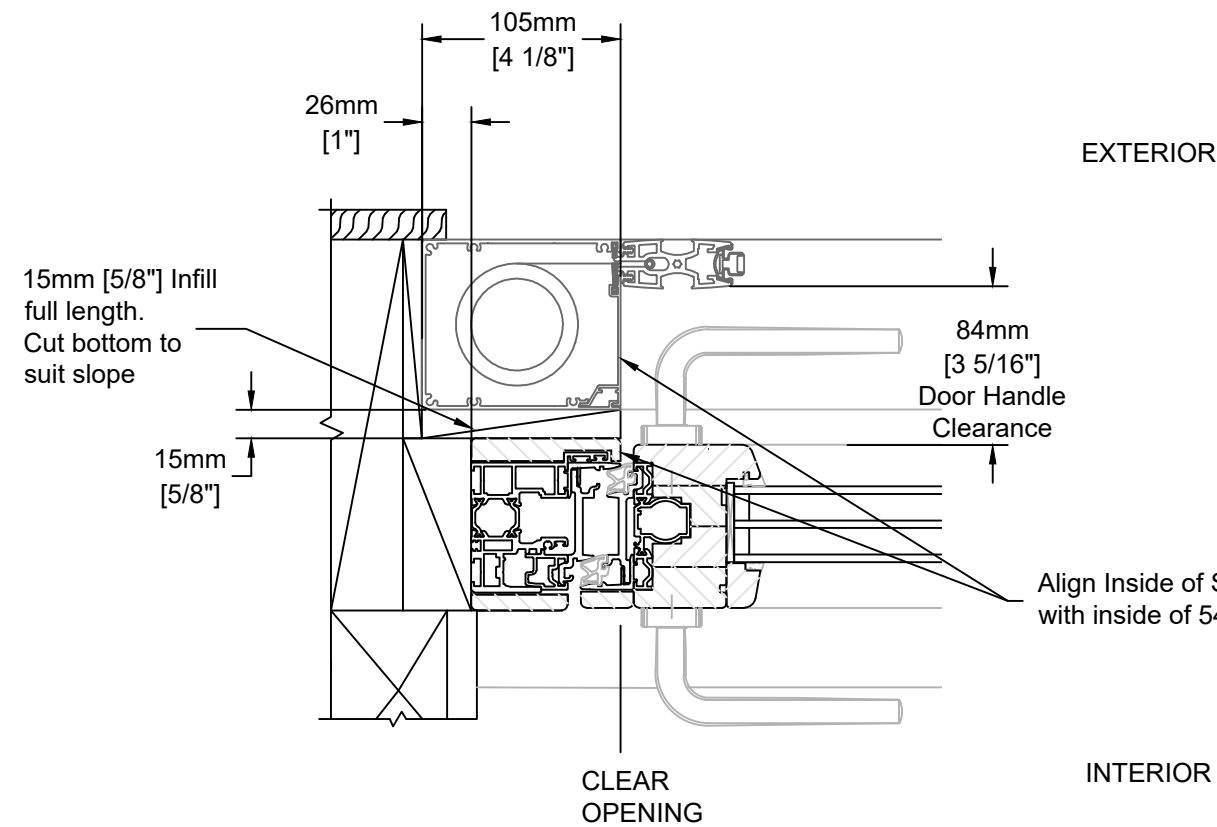
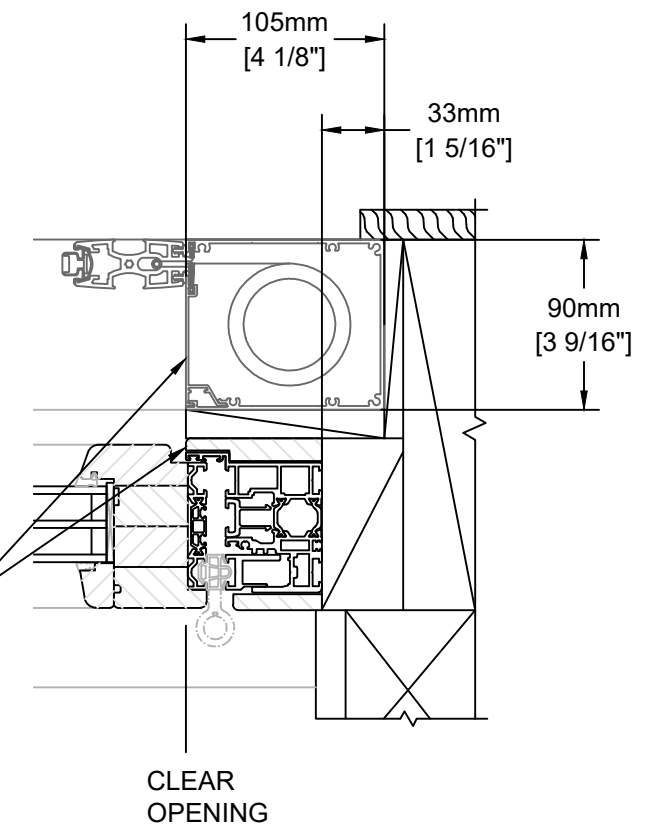


Vertical Section - Head

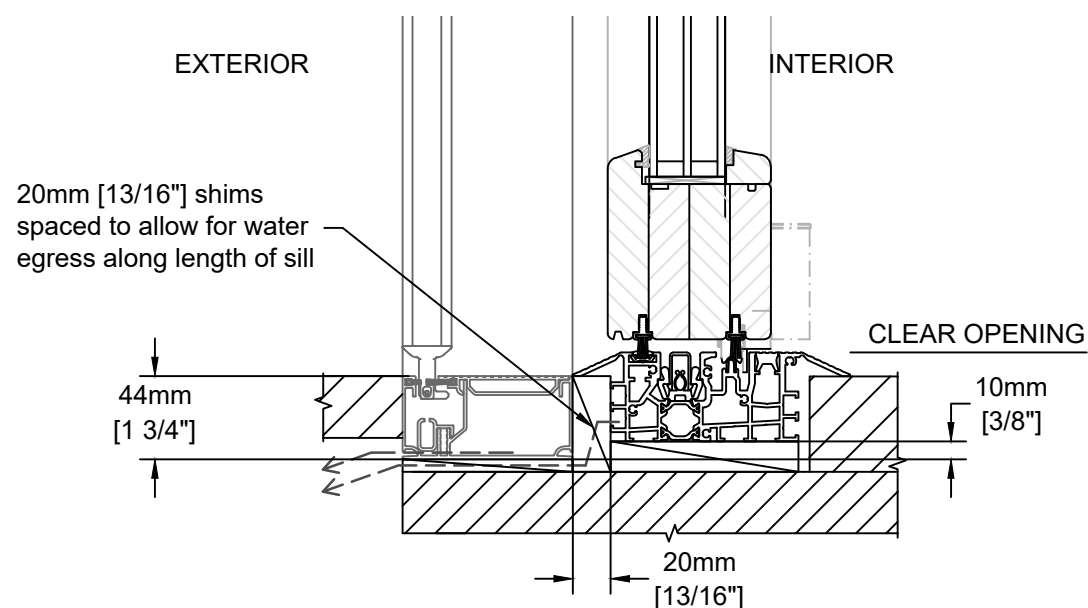
Align underside of S4 head with underside of 540 head



Horizontal Section Jamb with Handle



Horizontal Section Jamb Pivot



Vertical Section - Sill

Notes:

1. Refer to Centor screen installation instructions.
2. Order S4 Screen with "AWAY" stile location to avoid conflict with door handle.
3. Order S4 Screen with "OUTSIDE" location to allow for sill drainage.
4. Refer to Nanawall instructions for door installation and weather proofing.