



# Architectural Binder Section FSW75

## FSW75 — All Glass Folding System

The FSW75 all glass folding system offers clean-lined, transparent solutions with no vertical profiles for retail storefronts, shopping centers, banks, offices, and many other applications. The all glass aesthetic works well with all design styles. The FSW75 creates a barrier-free storefront allowing for immediate engagement between retailers and their customers. In offices, the FSW75 is well suited for flexible space management while allowing natural daylight to move throughout the interior space.

The FSW75 system allows for unlimited widths with the use of paired panels and offers convenient swing panels that are attached to the chain of folding panels. This folding system is able to mix and match with HSW75 and CSW75 for a seamless and consistent design.

### Frameless Folding Systems for Space Management in Unlimited Widths

Create an unlimited span of top hung folding panels with the addition of paired panels to optimize space management. FSW75 requires the use of a recessed floor track.

### 3 15/16" Continuous Rail for Outstanding Aesthetics

The FSW75 system comes standard with a 3 15/16" (100 mm) continuous top and bottom horizontal rail, allowing for a beautiful aesthetic and maximum glass. Customized rail options are available. To meet ADA requirements, two kickplate options are offered: a 10" (254 mm) bottom rail or a 4 5/8" (117 mm) aluminum chamfer bottom rail.

### Mix and Match System Options Available for Total Design Freedom

The FSW75 uses the same head track and has the same 3 15/16" (100 mm) continuous top and bottom horizontal rails as the single track sliding HSW75 and the center pivot folding CSW75 systems. These three systems can be mixed and matched to create solutions for unique design challenges all with the same continuous look.

### Smooth and Quiet Operation

The rollers are designed using hardened steel ball bearings with glass fiber reinforced polyamide wheels with memory effect for quiet and smooth operation. Polyamide bumpers are added to each end of the roller to avoid metal-to-metal contact of the rollers inside the track. The H-profiles

and edge protector cover the glass edges with a light transmission (LT) factor of 74%.

### Taller Heights and Wider Widths

FSW75 comes in sizes up to 3' 3" (1000 mm) in width and 10' 6" (3200 mm) in height for full sized folding panels. A single action folding swing panel or option of a pair of swing panels are available in the middle of the system with sizes available up to 3' 3" (1000 mm) in width and 10' 6" (3200 mm) in height. For all single/double action end panels, sizes available are up to 3' 7" (1100 mm) in width and 10' 6" (3200 mm) in height.

### No Need for Additional Structural Support for Parking

With the FSW75, there is no need for additional structural support for the parking of the panels since parking remains within the plane of the opening.

### Single/Double Action End Panels

End panels can be single/double action panels with pivot points or single action panels with offset hinges that are capable of opening 180° in the interior or exterior. Single/double action panels with pivot points have passed 100,000 cycle testing.

### Single Action Swing Panels Attached to a Chain of Folding Panels

A single action swing panel is available attached to the end of a chain of panels that folds away along with the rest of the system. For additional traffic pattern requirements, a pair of single action swing panels can be added to function similarly to French doors.

### Added Security and Acoustical Buffering in an All Glass System

As a standard security measure, two hidden set screws per hinge are accessible only when the unit is in the open position. For projects requiring higher levels of security, NanaWall FSW75 can be configured with laminated glass.

### Exterior Capabilities

FSW75 can be used in exterior applications as a windbreak. Please note that at this time, FSW75 is not rated for air and water infiltration or acoustical performance.

### ADA Compliant Floor Track

Standard to the FSW75 is an ADA compliant recessed floor track. Adjustable eccentric floor sockets are available for two hinged folding panels and for a single action end panel for ADA compliance.

### Matching Hinges and Hinge Covers

For added aesthetic value, hinges and hinge covers in coordinating colors are used. Each hinge is equipped with transparent bumpers to avoid metal-to-metal contact.

### Differential Deflection

To meet the IBC 2403.4 code for larger panels with 1/2" (12 mm) glass, H-profile is standard between folding panels. An edge protector is supplied for a single action end panel or swing panel adjacent to a folding panel.

### Finishes

Available standard door rail finish is clear anodized. Options include: dark bronze anodized, brushed anodized (closest match to stainless steel), and black anodized. Custom colors and standard RAL colors are also an available option. For installations in need of greater corrosion resistance, the post assembly is available in clear anodized finish.

The standard exterior surface finish for the normally recessed head track is clear anodized. However, it is also available in other anodized finishes, brushed anodized, or powder coated.

### Locking (Quick Release Floor Bolt with Spring Loaded Security Feature, Floor Bolt with Mortise Key/Key Cylinder, Floor Bolt with Half Cylinder, Locking Ladder Pull)

All folding panels are equipped with a quick release floor bolt with spring loaded security feature in the lower rail on the interior of the system. All swing panels and single/double action end panels are equipped with a quick release floor bolt with spring loaded security feature or a mortise key/key cylinder lock on the swing end of the panel on the interior. Optional half cylinder lock is available for folding panels.

### Additional locking options include

- A lever handle with deadbolt and a mortise key/key cylinder or with SFIC adapter. For additional security on swing panels and single/double action end panels, an optional crank handle operated surface mounted bolt can be added at the top rail.

- If requested, NanaWall will prep the glass to accept locking options provided by others in order to match project specific designs.

### Door Closer, Chamfer Rail, and Kickplate

For single/double action end panels, optional door closers are available. A floor closer is available for single/double action end panels or a top door closer is available for a single action end panel when recessing the floor closer is not an option.

Chamfer rail, locking ladder pull, and higher kickplate are possible.

### Handles for Single/Double Action End Panels

FWS75 offers custom made brushed stainless steel finish door pull options with built-in bumpers to protect against metal-to-glass contact. Other material options, such as powder coated aluminum are also available. Please contact NanaWall for more details.

The Locking Ladder Pull brushed stainless steel finish handle/locking system that integrates a locking mechanism with a profile cylinder at hand height into the tubular designed handle eliminating the need to kneel to lock the door at the bottom rail. Locking ladder pull comes in a brushed stainless steel or matching powder coated finish.

If requested, NanaWall Systems will also prep the glass to accept door pulls provided by others in order to match project specific designs.

### Glazing

Standard glass thickness supplied is 1/2" (12 mm) tempered. To reduce glass stress, glass is clamp installed for equal distribution of weight.

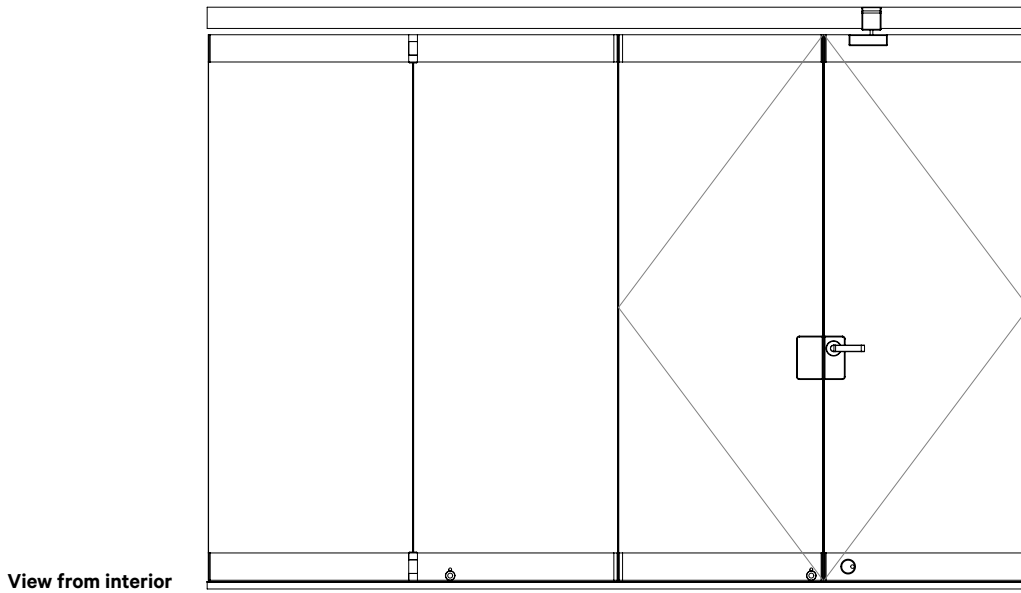
An optional white interlayer can be added for the closed panels to be used in a similar manner as a white board. Additional glazing options include low iron or decorative glass. Please contact NanaWall Systems to verify.

### Optional Sidelites, Fixed Panels, Frameless Folding, or Single Track Sliding Systems

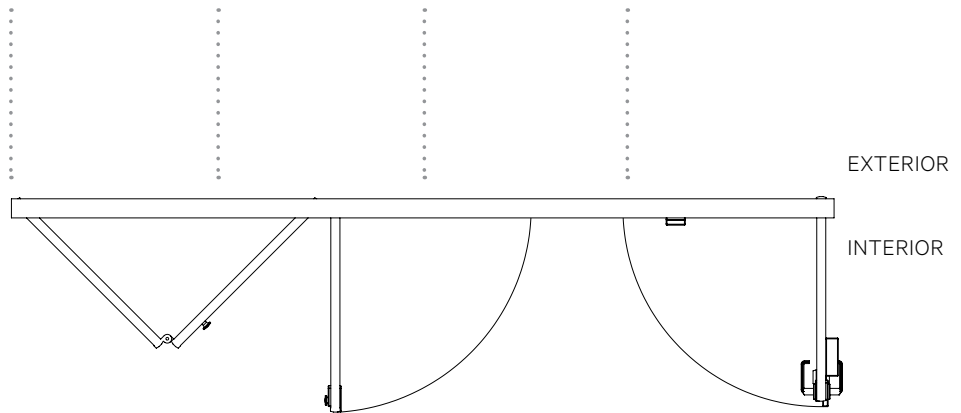
When required, coordinating fixed panels and sidelites are available to complete the intended design.

Frameless center pivot folding CSW75 and frameless sliding HSW75 are also available.

Maximum Size Chart for NanaWall FSW75 with Different Panel Types



MAXIMUM PANEL SIZES WITH 1/2" (12 mm) GLASS	Folding End Panel	Folding Panel	Swing Panel Attached to Another Panel	Single Action End Panel
Maximum Unit Height	10' 6" (3200 mm)	10' 6" (3200 mm)	10' 6" (3200 mm)	10' 6" (3200 mm)
Maximum Panel Width	3' 3" (1000 mm)	3' 3" (1000 mm)	3' 3" (1000 mm)	3' 7" (1100 mm)



Maximum sizes for 1/2" (12 mm) as shown is per Glass Association of North America (GANA) recommendations, provided that the supplied H-Profiles are field installed between folding panels. Please check applicable codes for maximum allowed height for the relevant glass thickness.

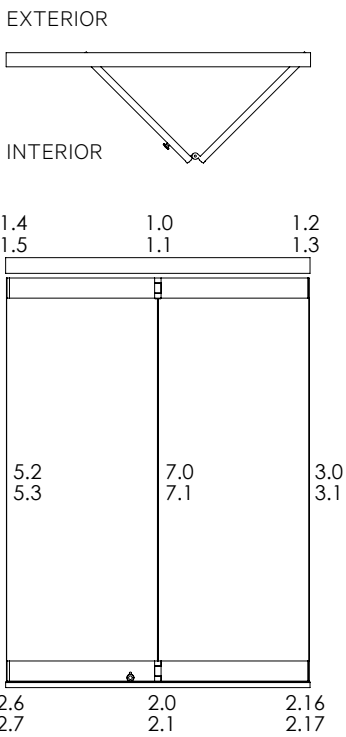
Applicable codes may limit the maximum sizes possible to be less than what NanaWall allows.

**Elevation Drawings and plan views of typical configurations.**

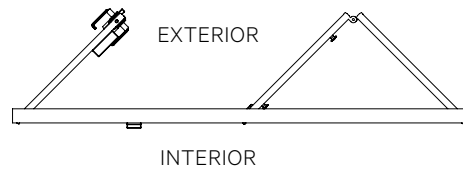
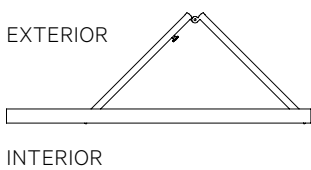
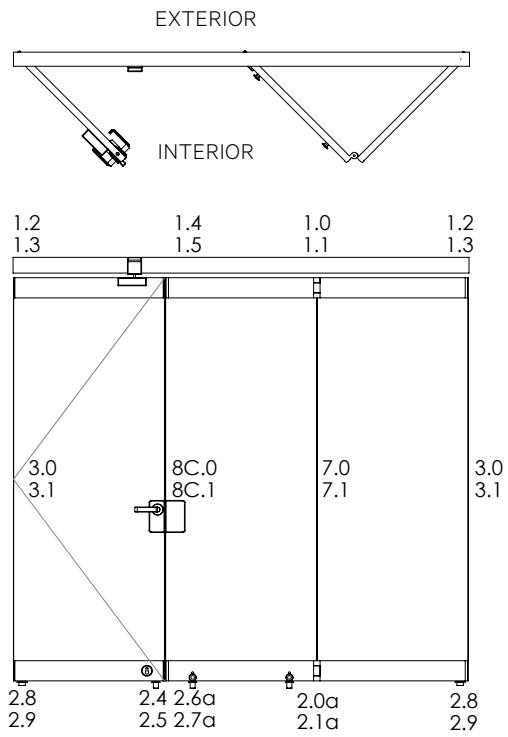
Please see referenced cross-section details. Should you require design assistance on the many possibilities, please consult <https://www.nanawall.com/professionals/design-assistance>. NanaWall Systems offers a complimentary 3D Conceptual Drawings service and 3D Configurator for CAD/Revit/Specs to help in the design/development process.

**Note:** Maximum of 6 panels can pivot at each end of the system. Shown at the top and bottom of each elevation are horizontal cross-section folding operation of inward and outward opening units.

**2R  
with Folding Panels**



**1L\_2R  
with Single Action End Panel, Floor Sockets,  
and Additional Top Track Locking**

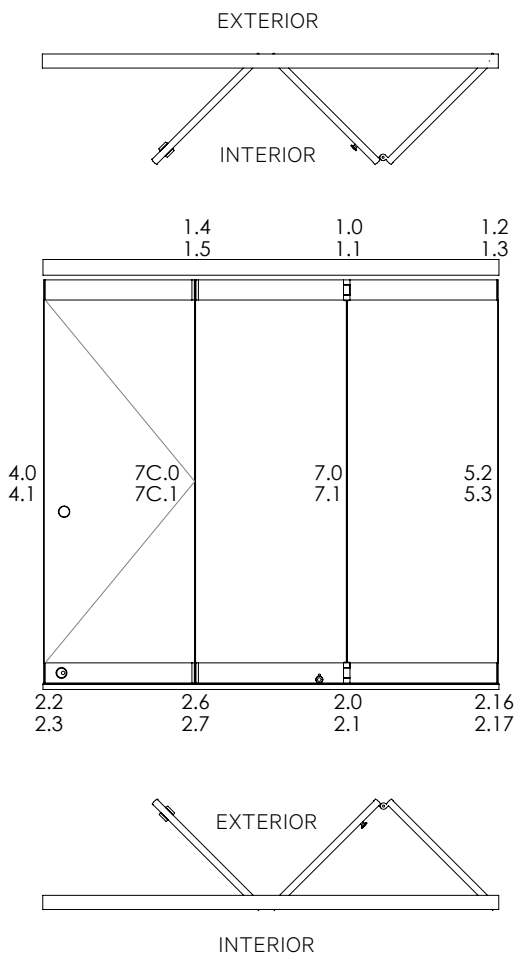


**Elevation Drawings and plan views of typical configurations.**

Please see referenced cross-section details. Should you require design assistance on the many possibilities, please consult <https://www.nanawall.com/professionals/design-assistance>. NanaWall Systems offers a complimentary 3D Conceptual Drawings service and 3D Configurator for CAD/Revit/Specs to help in the design/development process.

**Note:** Maximum of 6 panels can pivot at each end of the system. Shown at the top and bottom of each elevation are horizontal cross-section folding operation of inward and outward opening units.

**3R**  
with Folding Panels with Rosette

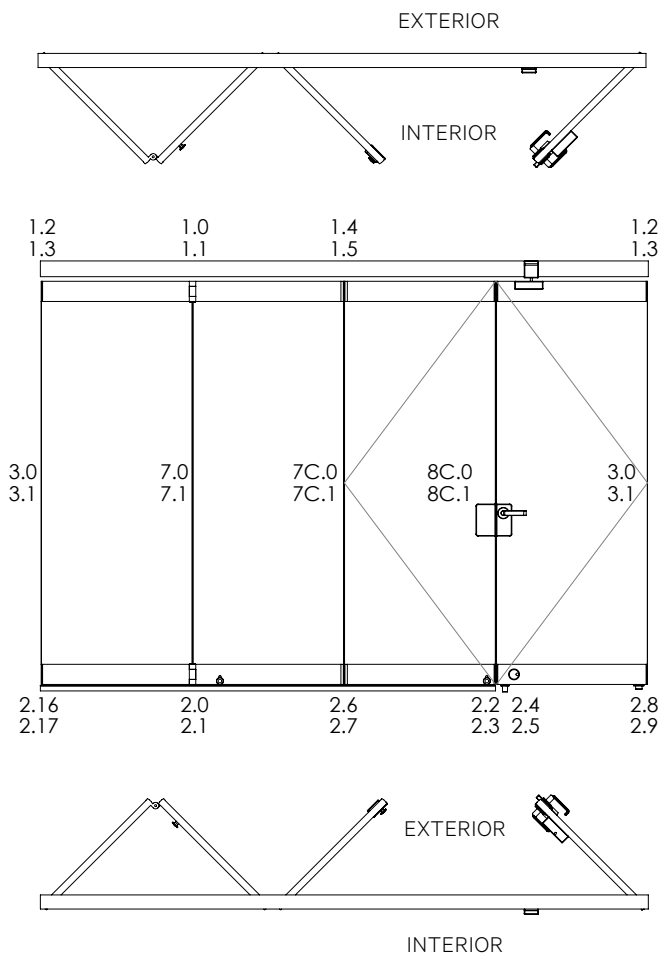


**Elevation Drawings and plan views of typical configurations.**

Please see referenced cross-section details. Should you require design assistance on the many possibilities, please consult <https://www.nanawall.com/professionals/design-assistance>. NanaWall Systems offers a complimentary 3D Conceptual Drawings service and 3D Configurator for CAD/Revit/Specs to help in the design/development process.

**Note:** Maximum of 6 panels can pivot at each end of the system. Shown at the top and bottom of each elevation are horizontal cross-section folding operation of inward and outward opening units.

**3L\_1R**  
**with Single Action End Panel with Lever Handle and Floor Socket**  
**for ADA Compliance, and Additional Top Track Locking**

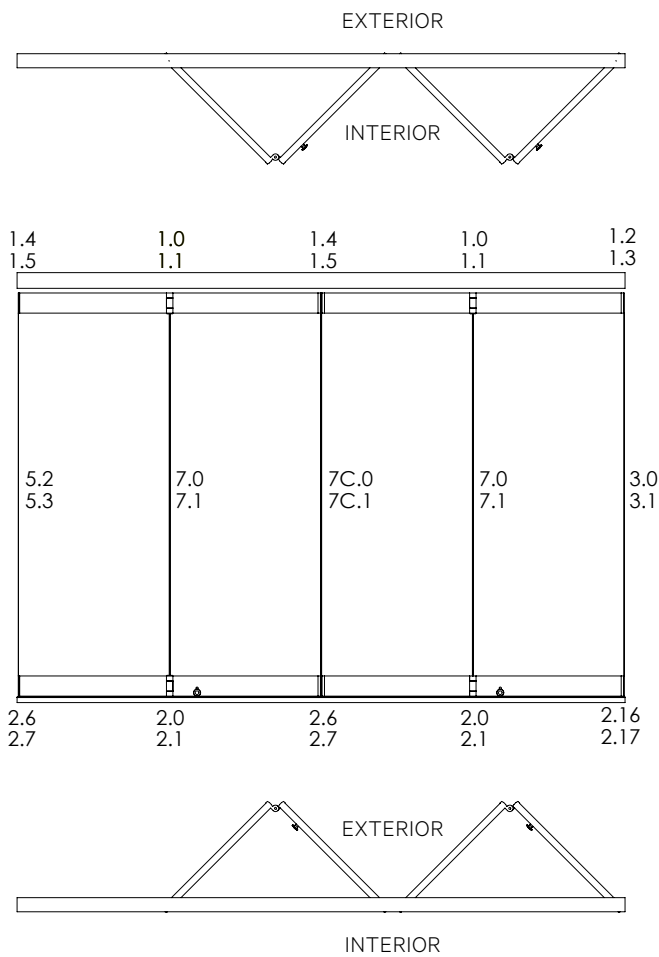


**Elevation Drawings and plan views of typical configurations.**

Please see referenced cross-section details. Should you require design assistance on the many possibilities, please consult <https://www.nanawall.com/professionals/design-assistance>. NanaWall Systems offers a complimentary 3D Conceptual Drawings service and 3D Configurator for CAD/Revit/Specs to help in the design/development process.

**Note:** Maximum of 6 panels can pivot at each end of the system. Shown at the top and bottom of each elevation are horizontal cross-section folding operation of inward and outward opening units.

**4R  
with Folding Panels**



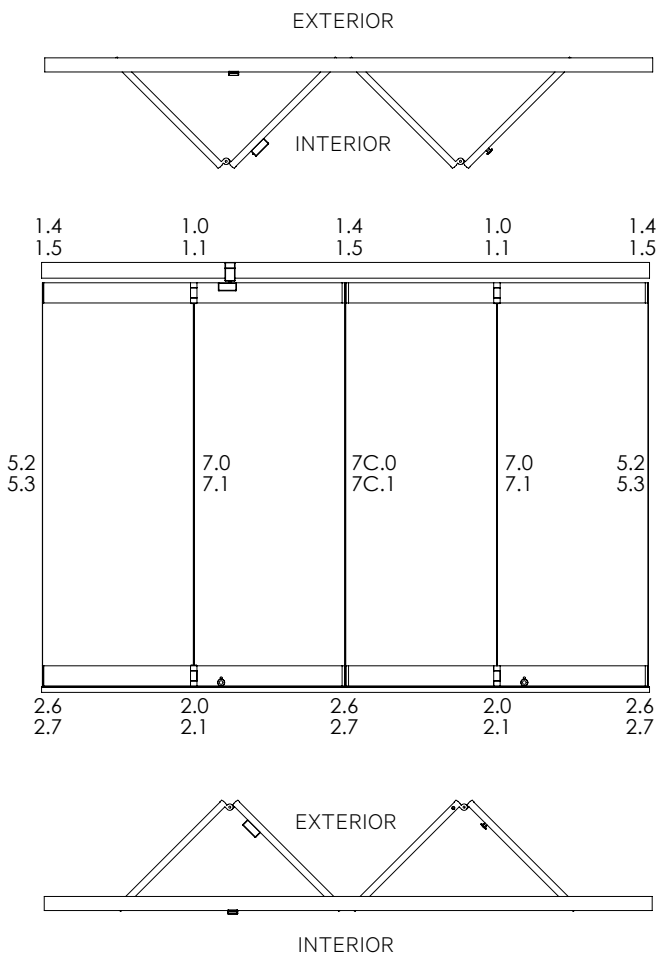


**Elevation Drawings and plan views of typical configurations.**

Please see referenced cross-section details. Should you require design assistance on the many possibilities, please consult <https://www.nanawall.com/professionals/design-assistance>. NanaWall Systems offers a complimentary 3D Conceptual Drawings service and 3D Configurator for CAD/Revit/Specs to help in the design/development process.

**Note:** Maximum of 6 panels can pivot at each end of the system. Shown at the top and bottom of each elevation are horizontal cross-section folding operation of inward and outward opening units.

**4LR  
with Folding Panels**

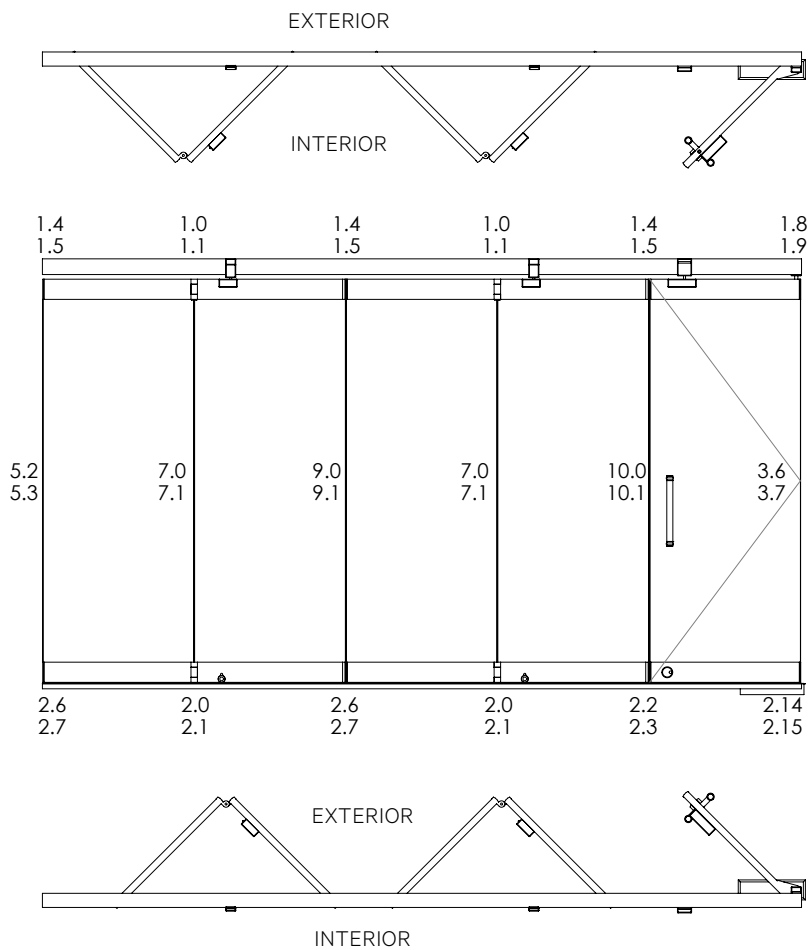


**Elevation Drawings and plan views of typical configurations.**

Please see referenced cross-section details. Should you require design assistance on the many possibilities, please consult <https://www.nanawall.com/professionals/design-assistance>. NanaWall Systems offers a complimentary 3D Conceptual Drawings service and 3D Configurator for CAD/Revit/Specs to help in the design/development process.

**Note:** Maximum of 6 panels can pivot at each end of the system. Shown at the top and bottom of each elevation are horizontal cross-section folding operation of inward and outward opening units.

**2LR\_2LR\_1R**  
with Additional Top Track Locking and Single Action End Panel with Floor Closer

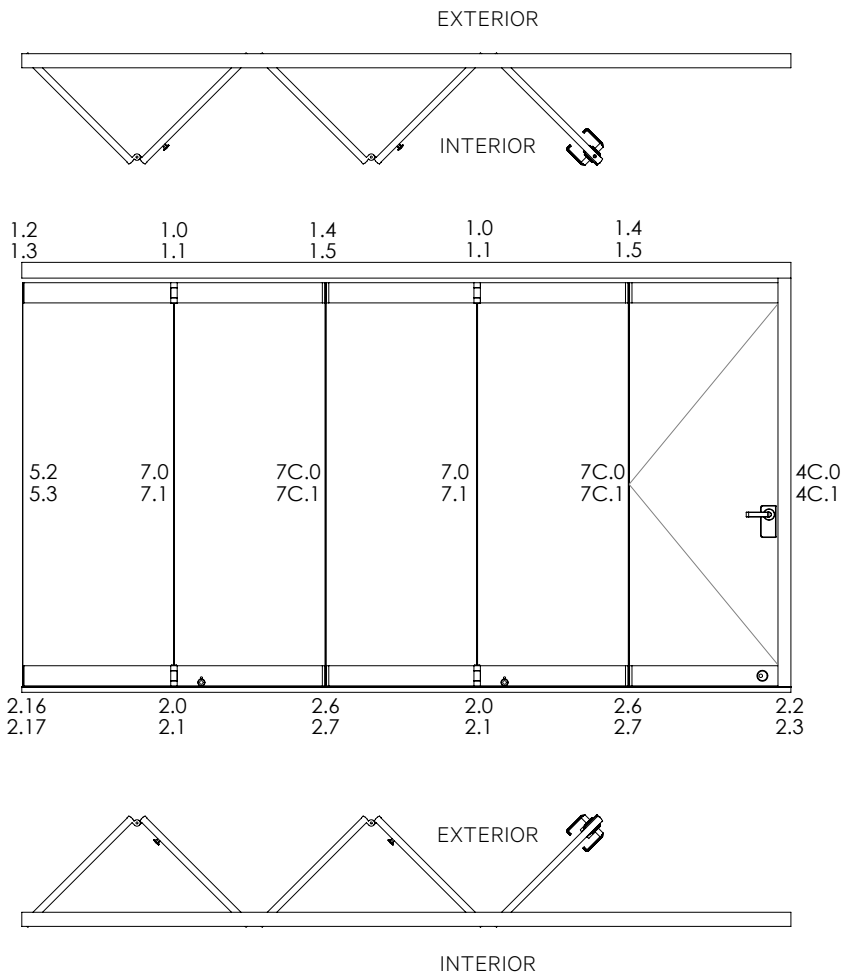


**Elevation Drawings and plan views of typical configurations.**

Please see referenced cross-section details. Should you require design assistance on the many possibilities, please consult <https://www.nanawall.com/professionals/design-assistance>. NanaWall Systems offers a complimentary 3D Conceptual Drawings service and 3D Configurator for CAD/Revit/Specs to help in the design/development process.

**Note:** Maximum of 6 panels can pivot at each end of the system. Shown at the top and bottom of each elevation are horizontal cross-section folding operation of inward and outward opening units.

**5L**  
**with Swing Panel Attached to the Folding Panels**  
**and Lever Handle at the Side Jamb**

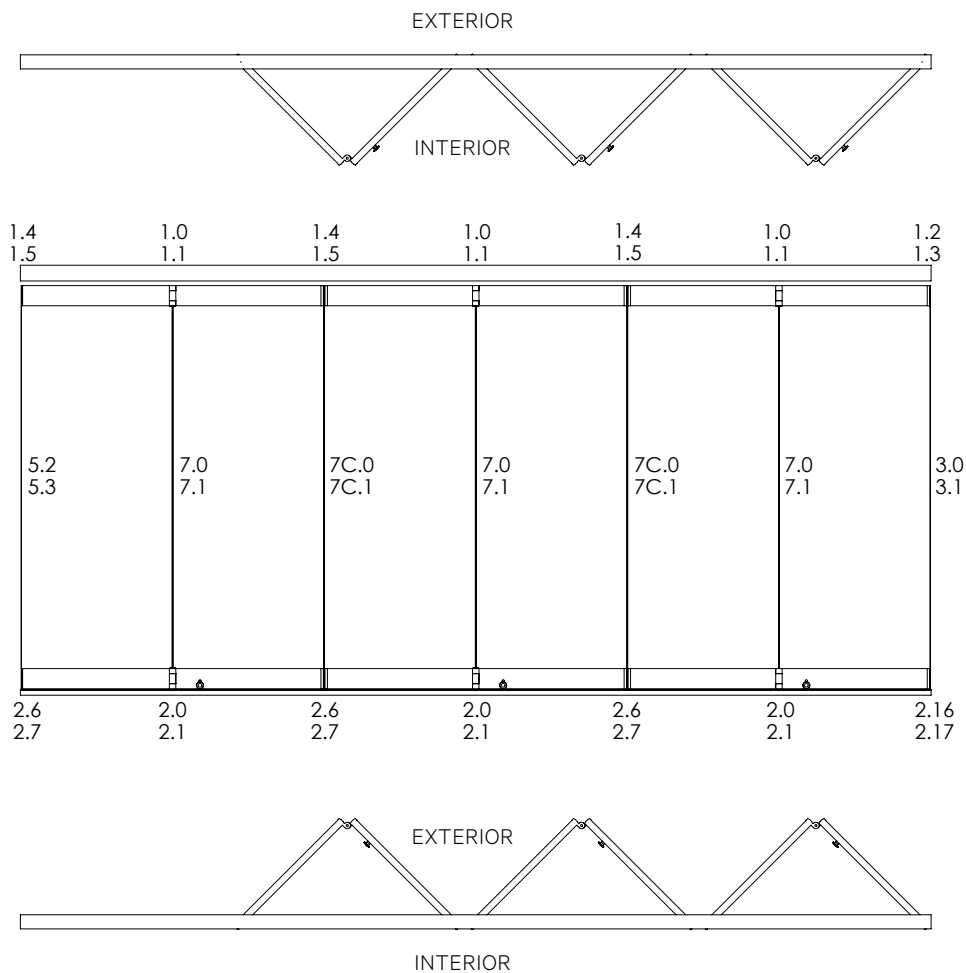


**Elevation Drawings and plan views of typical configurations.**

Please see referenced cross-section details. Should you require design assistance on the many possibilities, please consult <https://www.nanawall.com/professionals/design-assistance>. NanaWall Systems offers a complimentary 3D Conceptual Drawings service and 3D Configurator for CAD/Revit/Specs to help in the design/development process.

**Note:** Maximum of 6 panels can pivot at each end of the system. Shown at the top and bottom of each elevation are horizontal cross-section folding operation of inward and outward opening units.

**6R  
with Folding Panels**

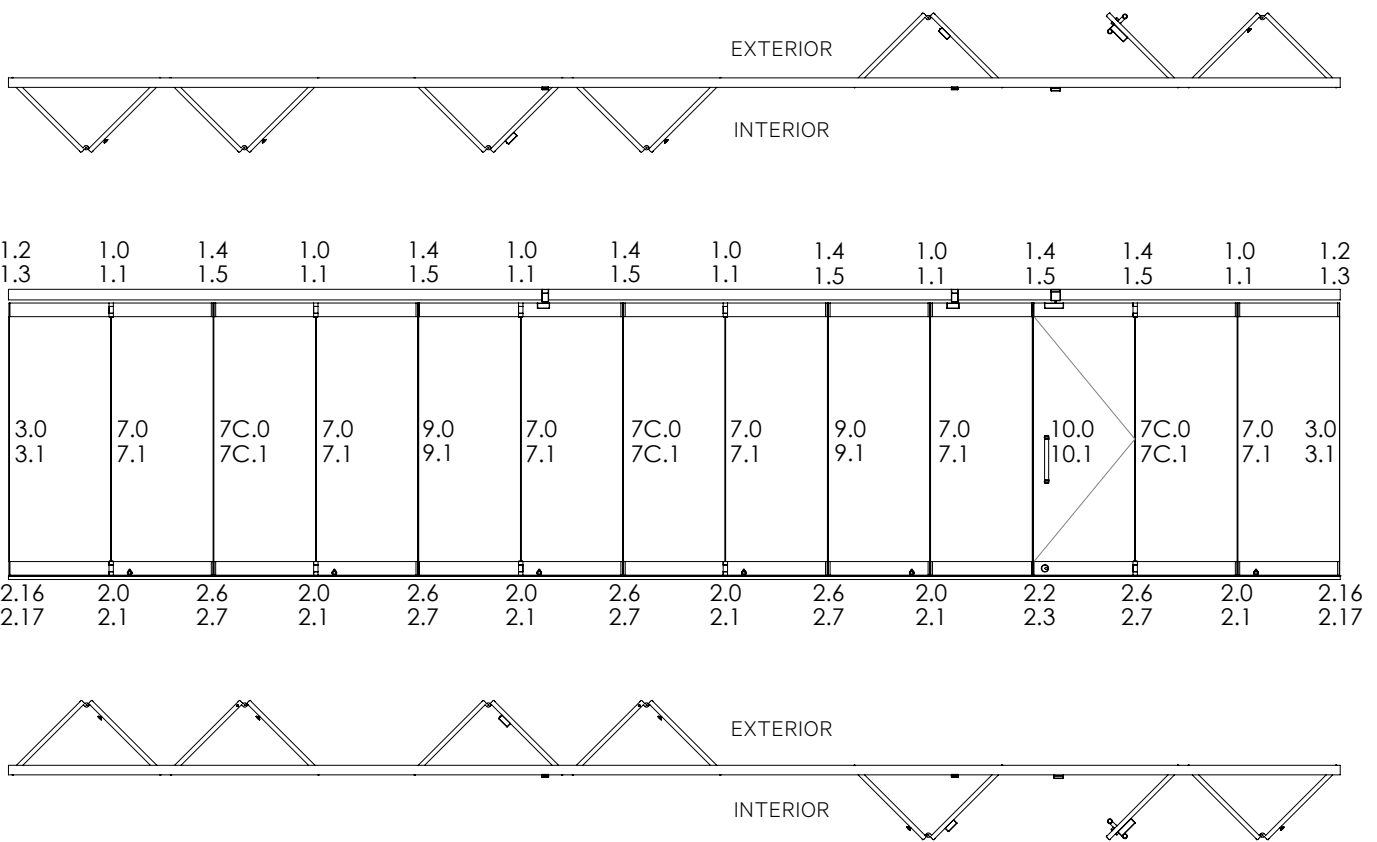


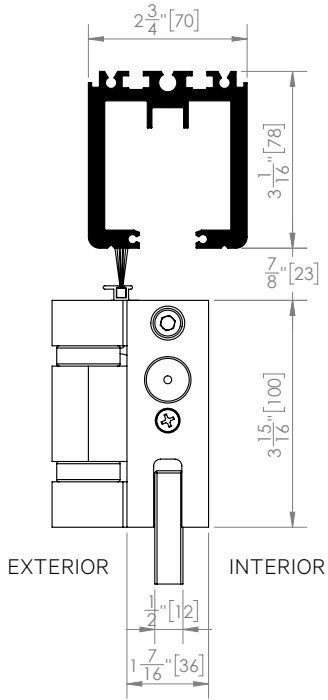
**Elevation Drawings and plan views of typical configurations.**

Please see referenced cross-section details. Should you require design assistance on the many possibilities, please consult <https://www.nanawall.com/professionals/design-assistance>. NanaWall Systems offers a complimentary 3D Conceptual Drawings service and 3D Configurator for CAD/Revit/Specs to help in the design/development process.

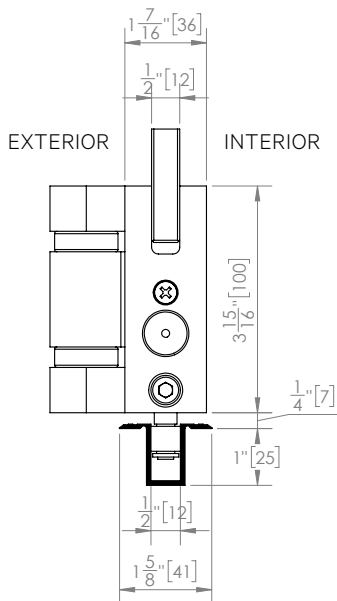
**Note:** Maximum of 6 panels can pivot at each end of the system. Shown at the top and bottom of each elevation are horizontal cross-section folding operation of inward and outward opening units.

**4L\_4LR\_2LR\_3R**  
**with Combination of Inswing and Outswing Folding Panels, Additional Top Track Locking, and Swing Panel Attached to Folding Panels**

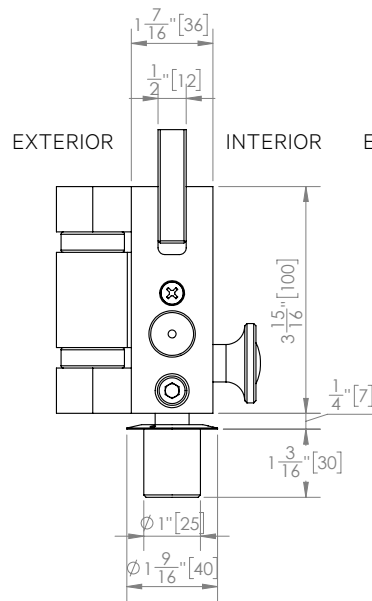




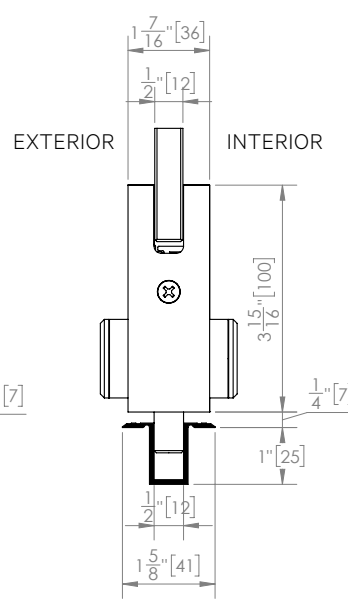
**Detail 1.0**  
Head Profile - Folding Panel  
with Hinge



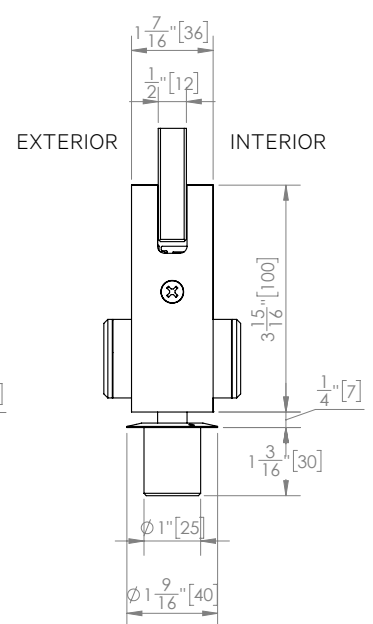
**Detail 2.0**  
Bottom Profile with  
Guide Channel



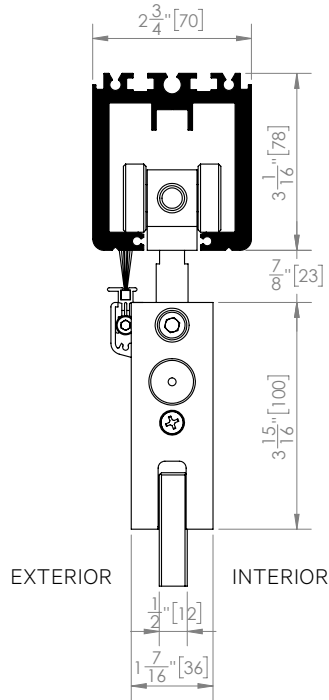
**Detail 2.0a**  
Bottom Profile with  
Floor Socket  
{Adjustable eccentric floor  
socket available for two  
folding panels.}



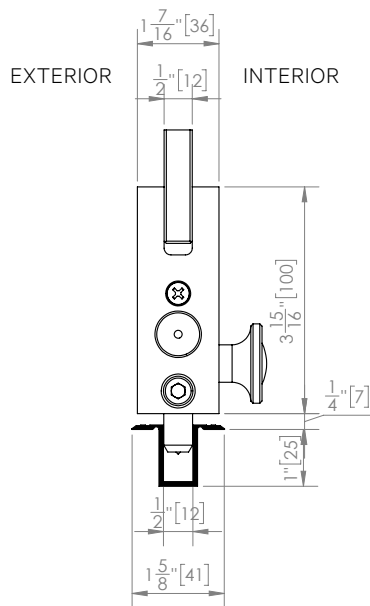
**Detail 2.2**  
Bottom Profile - Single  
Action End Panel with  
Guide Channel and  
Mortise Key/Key Cylinder



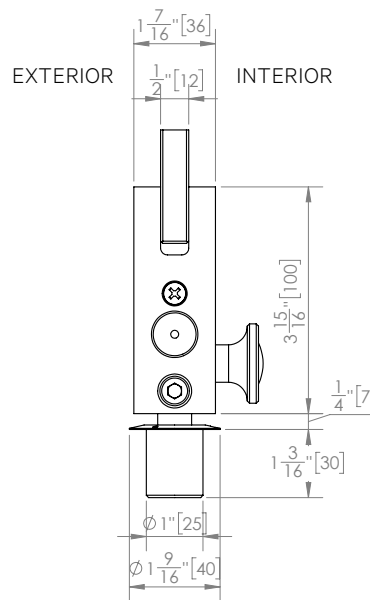
**Detail 2.4**  
Bottom Profile - Single  
Action End Panel with Floor  
Socket and Mortise Key/Key  
Cylinder  
{For ADA Compliance,  
single action end panel  
hinged to the side jamb.}



**Detail 1.4**  
Head Profile - Folding  
Panel with Roller

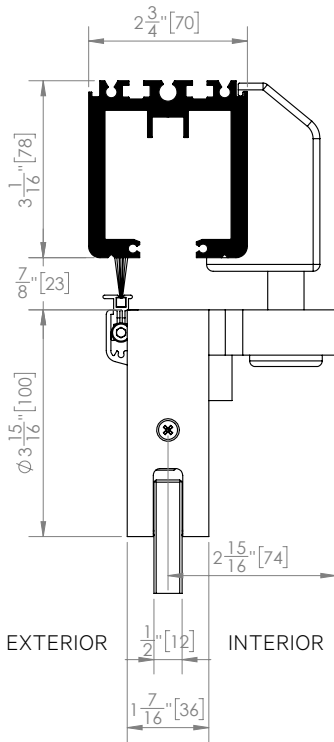


**Detail 2.6**  
Bottom Profile - Panel Guide  
and Quick Release Floor Bolt

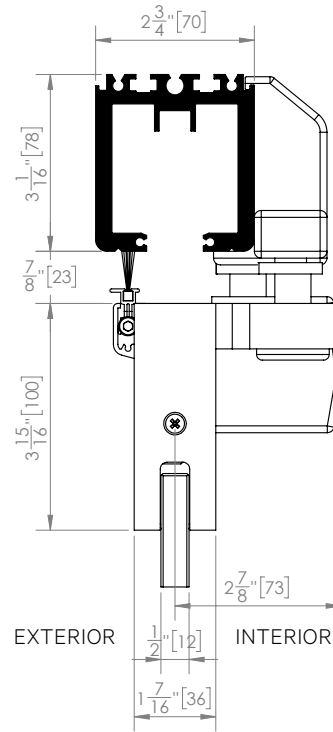


**Detail 2.6a**  
Bottom Profile - Panel Guide  
and Quick Release Floor Bolt  
with Floor Socket

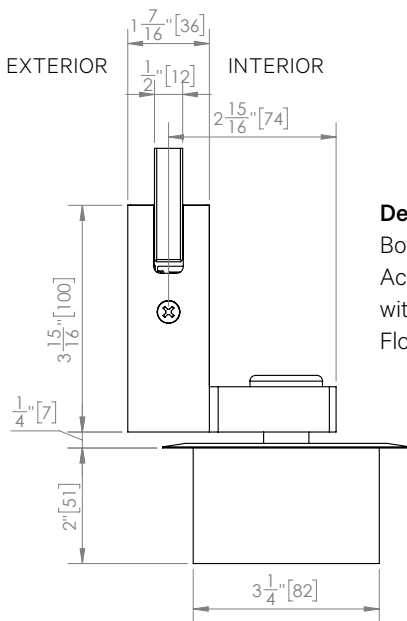
{Adjustable eccentric floor socket  
available for two folding panels.}



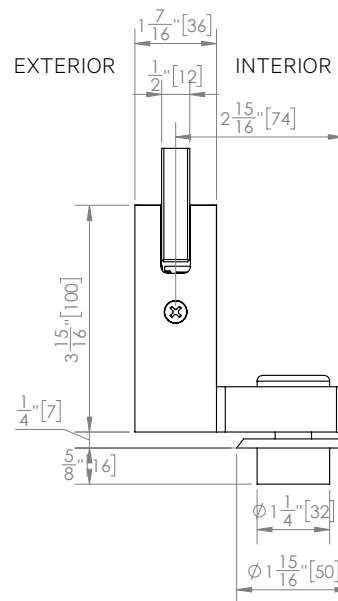
**Detail 1.8**  
Head Profile - Single  
Action End Panel with  
Offset Hinge



**Detail 1.10**  
Head Profile - Single  
Action End Panel  
with Offset Hinge  
and Top Door Closer

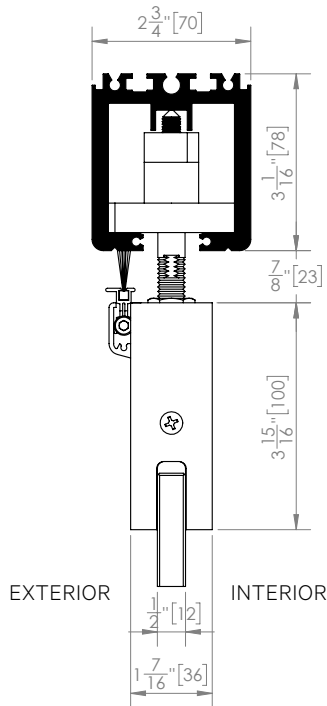


**Detail 2.14**  
Bottom Profile - Single  
Action End Panel  
with Offset Hinge and  
Floor Closer

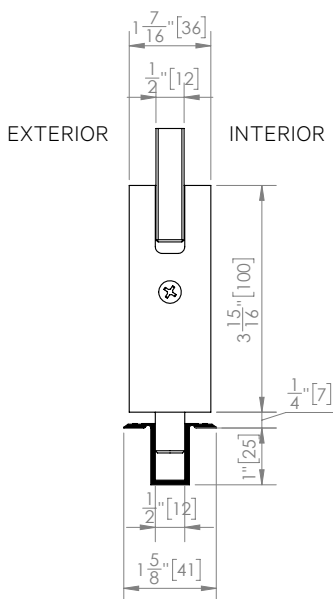


**Detail 2.12**  
Bottom Profile - Single  
Action End Panel with  
Offset Hinge and Pivot  
Point

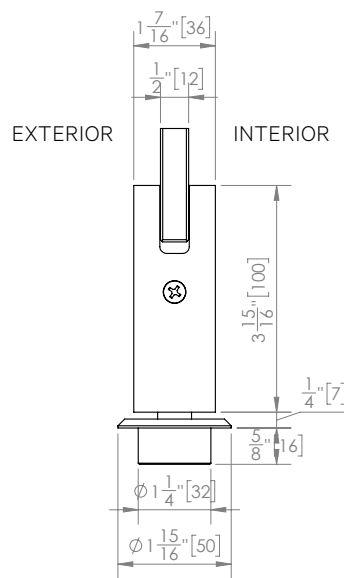




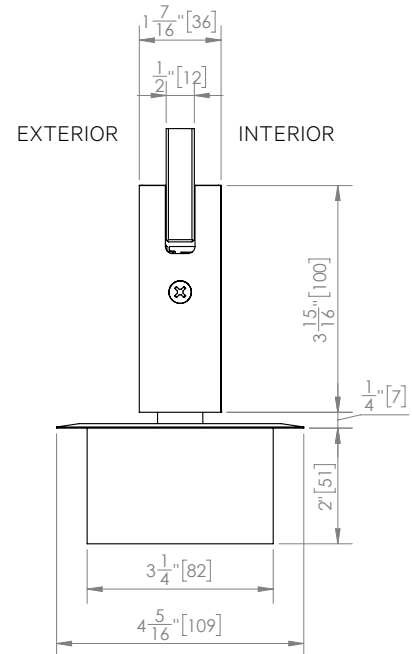
**Detail 1.2**  
Head Profile - Single/  
Double Action End Panel  
with Pivot Point



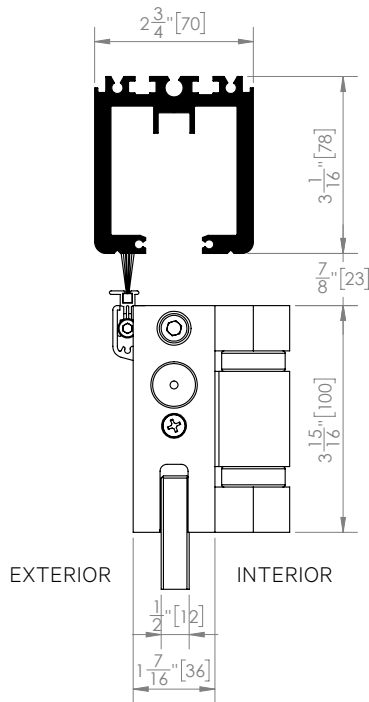
**Detail 2.16**  
Bottom Profile - Single  
Action End Panel with Pivot  
Point and Guide Channel



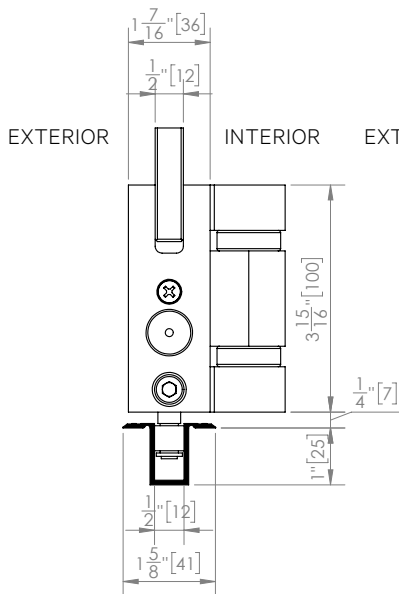
**Detail 2.8**  
Bottom Profile - Single/  
Double Action End  
Panel with Pivot Point



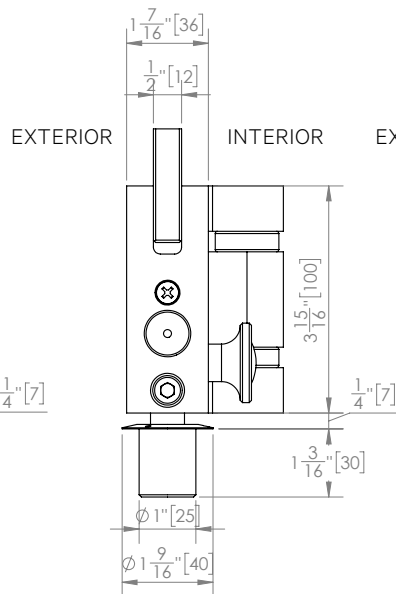
**Detail 2.10**  
Bottom Profile - Single/  
Double Action End  
Panel with Floor Closer



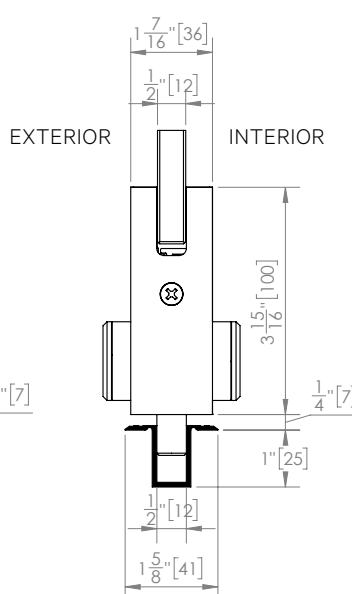
**Detail 1.1**  
Head Profile - Folding Panel  
with Hinge



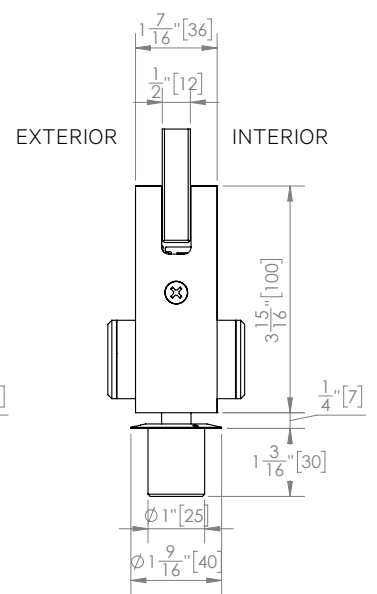
**Detail 2.1**  
Bottom Profile with  
Guide Channel



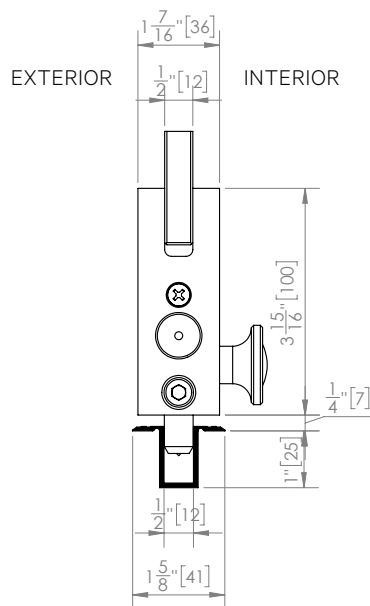
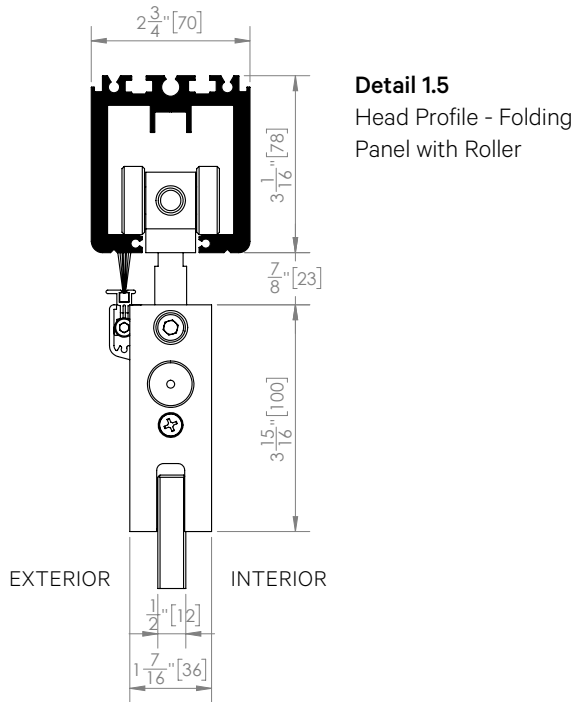
**Detail 2.1a**  
Bottom Profile with  
Floor Socket  
{Adjustable eccentric floor  
socket available for two  
folding panels.}



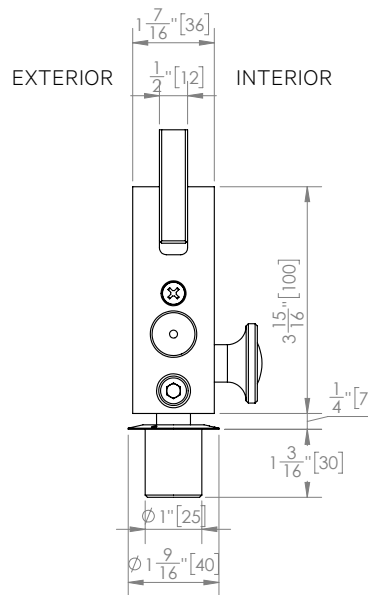
**Detail 2.3**  
Bottom Profile - Single  
Action End Panel with  
Guide Channel and  
Mortise Key/Key Cylinder



**Detail 2.5**  
Bottom Profile - Single  
Action End Panel with  
Floor Socket and Mortise  
Key/Key Cylinder  
{For ADA Compliance,  
single action end panel  
hinged to the side jamb.}

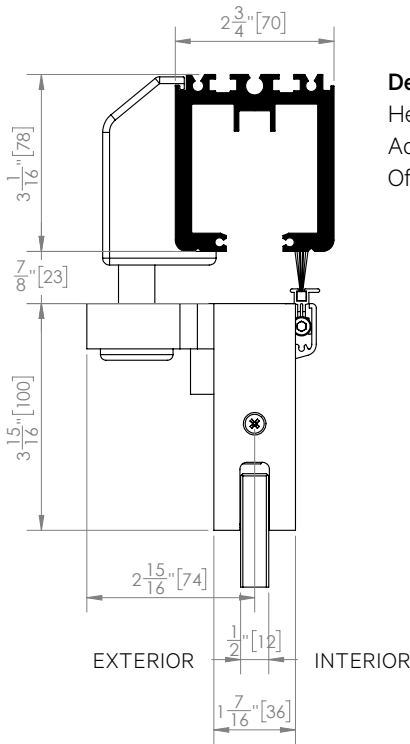


**Detail 2.7**  
Bottom Profile - Panel Guide  
and Quick Release Floor Bolt

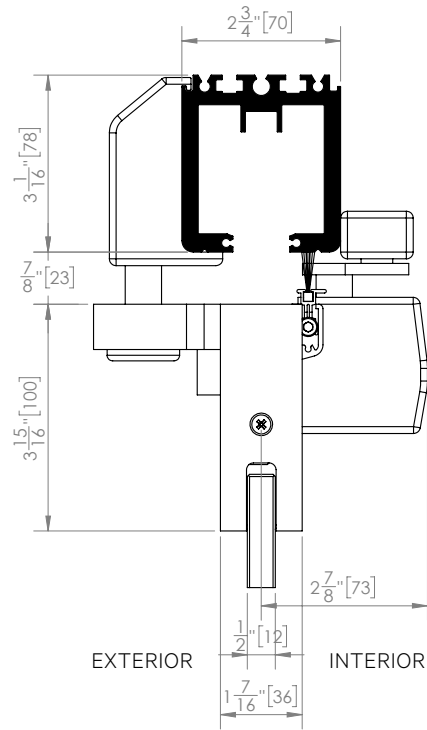


**Detail 2.7a**  
Bottom Profile - Panel Guide  
and Quick Release Floor Bolt  
with Floor Socket

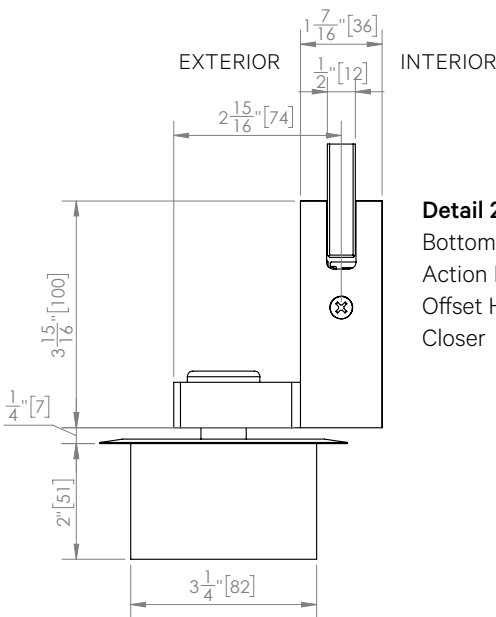
{Adjustable eccentric floor socket  
available for two folding panels.}



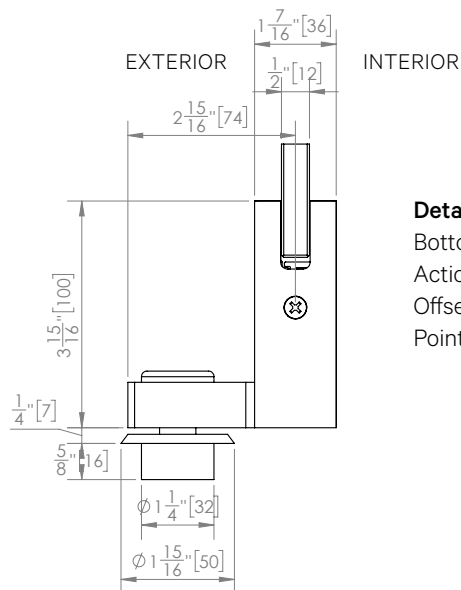
**Detail 1.9**  
Head Profile - Single  
Action End Panel with  
Offset Hinge



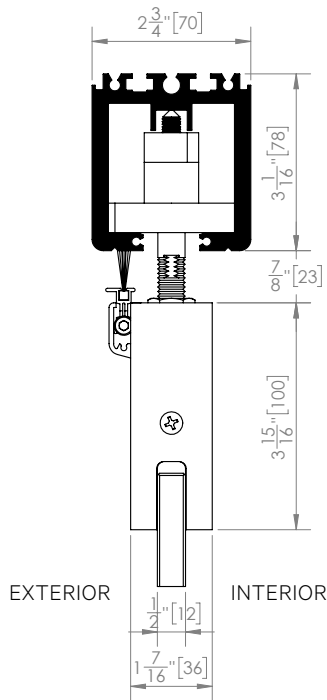
**Detail 1.11**  
Head Profile - Single  
Action End Panel  
with Offset Hinge  
and Top Door Closer



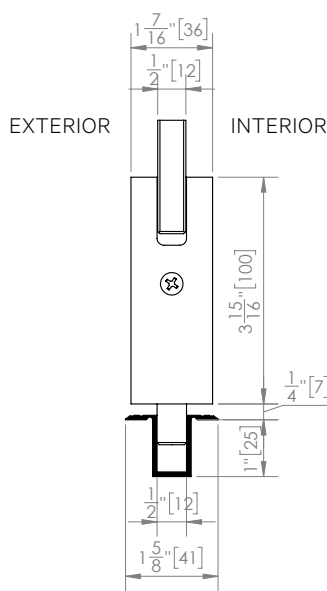
**Detail 2.15**  
Bottom Profile - Single  
Action End Panel with  
Offset Hinge and Floor  
Closer



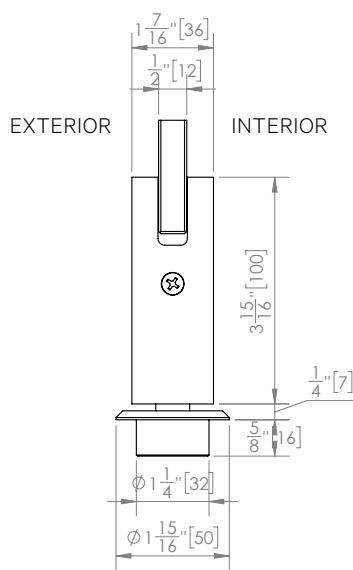
**Detail 2.11**  
Bottom Profile - Single  
Action End Panel with  
Offset Hinge and Pivot  
Point



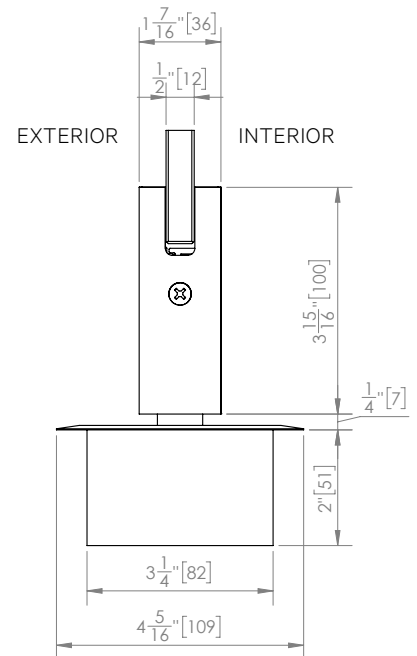
**Detail 1.3**  
Head Profile - Single/  
Double Action End Panel  
with Pivot Point



**Detail 2.17**  
Bottom Profile - Single  
Action End Panel with Pivot  
Point and Guide Channel

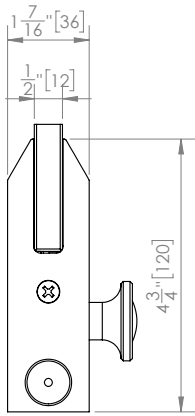


**Detail 2.9**  
Bottom Profile - Single/  
Double Action End  
Panel with Pivot Point

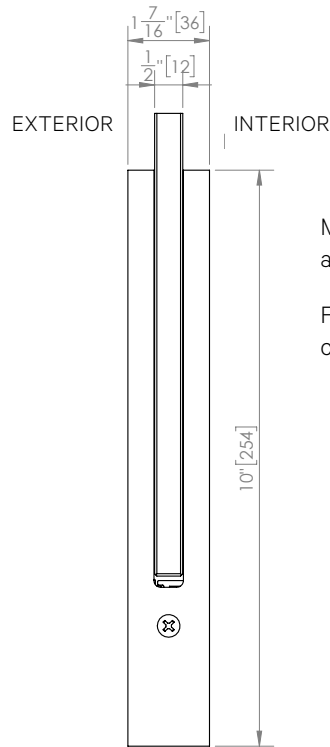


**Detail 2.13**  
Bottom Profile - Single/  
Double Action End Panel  
with Floor Closer

Aluminum Chamfer Rail



Typical Kickplate Height

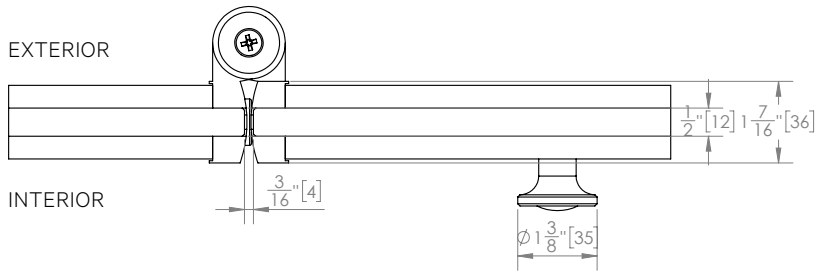


Maximum kickplate height available is 10" (254 mm).

For other options, contact NanaWall.

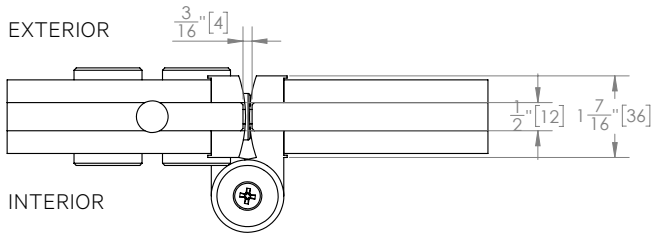
**Detail 7.0**

Meeting of Folding Panels with Quick Release Floor Bolt



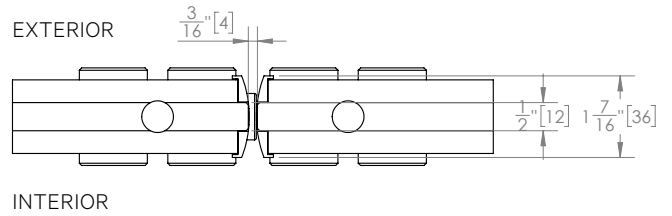
**Detail 7C.0**

Meeting of Folding Panels with Rollers



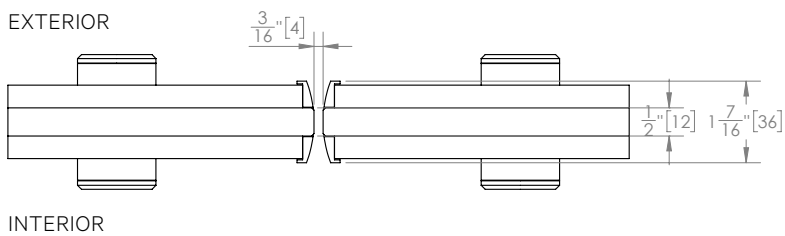
**Detail 9.0**

Folding Panels with Rollers Meeting



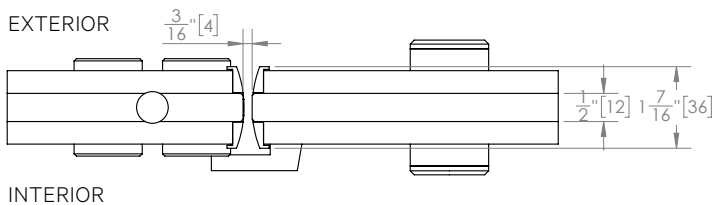
**Detail 8.0**

Meeting of Swing Panels with Mortise Key/Key Cylinder



**Detail 10.0**

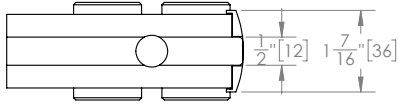
Meeting of Swing and Folding Panel with Rollers and Mortise Key/Key Cylinder



**Detail 5.2**

End Folding Panel with Rollers

EXTERIOR

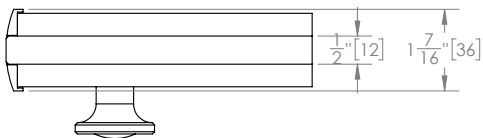


INTERIOR

**Detail 42.0**

Swing Panel with Quick Release Floor Bolt

EXTERIOR

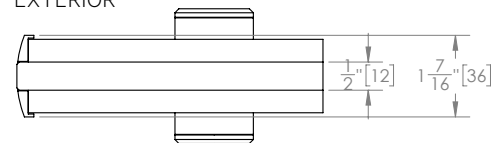


INTERIOR

**Detail 4.0**

Swing or Folding Panel with Mortise Key/Key Cylinder

EXTERIOR

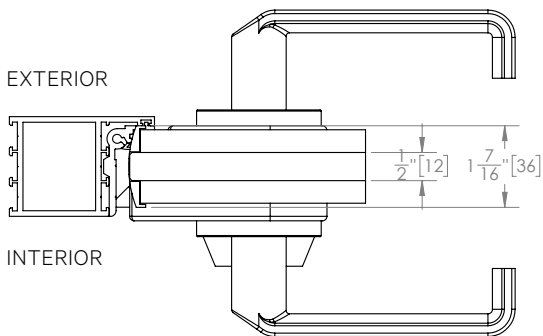


INTERIOR

**Detail 4C.0**

Swing Panel with Lever Handle and Mortise Key/Key Cylinder

EXTERIOR

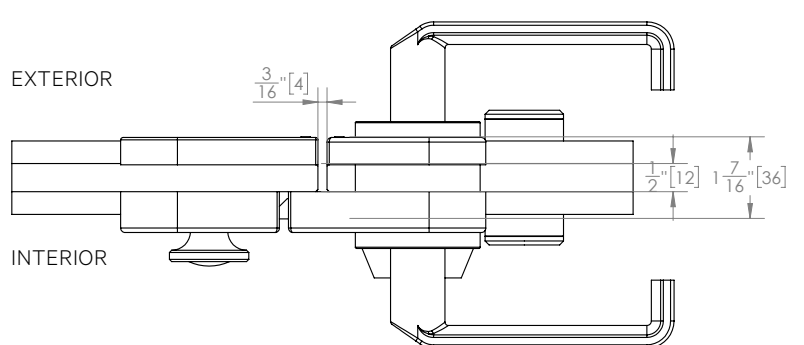


INTERIOR

**Detail 8C.0**

Swing Panel with Lever Handle and Mortise Key/Key Cylinder Meeting Folding Panel with Quick Release Floor Bolt

EXTERIOR



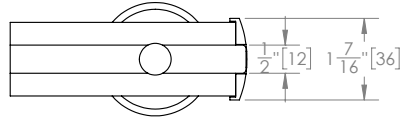
INTERIOR



**Detail 3.0**

Single Action End Panel with Pivot Point

EXTERIOR

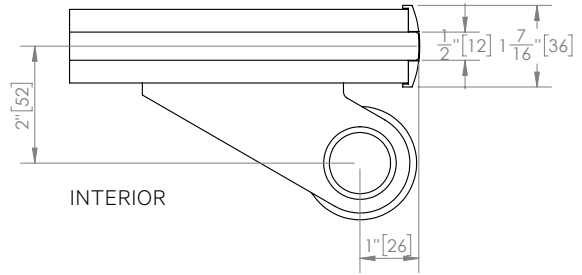


INTERIOR

**Detail 34.0**

Single Action End Panel with Offset Hinge

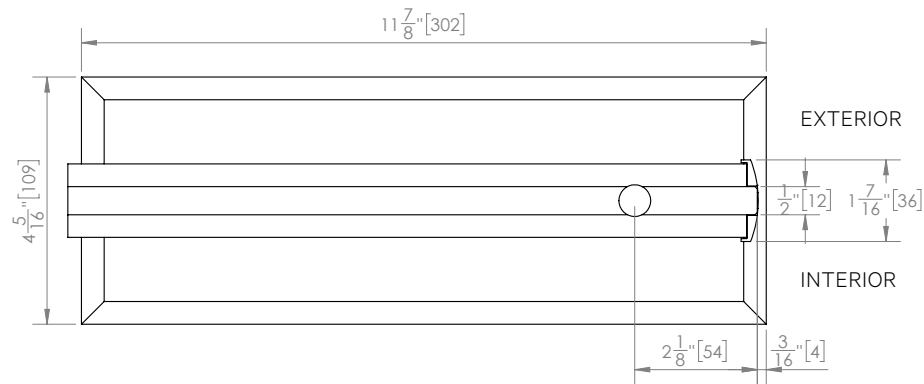
EXTERIOR



INTERIOR

**Detail 32.0**

Single/Double Action End Panel with Floor Closer



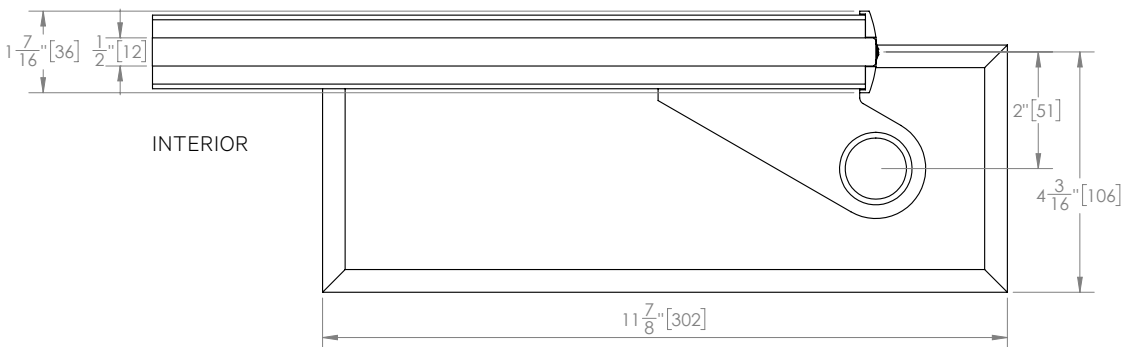
EXTERIOR

INTERIOR

**Detail 3.6**

Single Action End Panel with Offset Hinge and Floor Closer

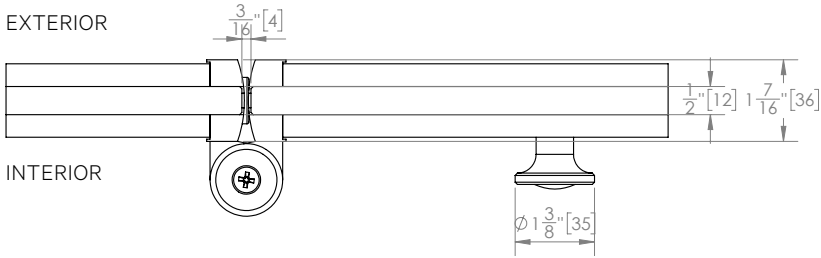
EXTERIOR



INTERIOR

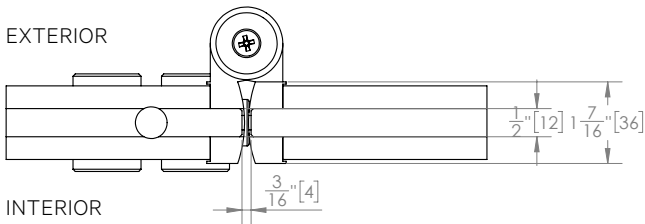
**Detail 7.1**

Meeting of Folding Panels with Quick Release Floor Bolt



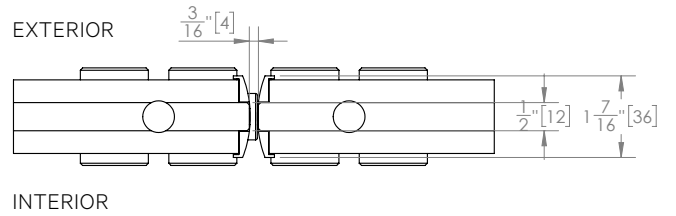
**Detail 7C.1**

Meeting of Folding Panels with Rollers



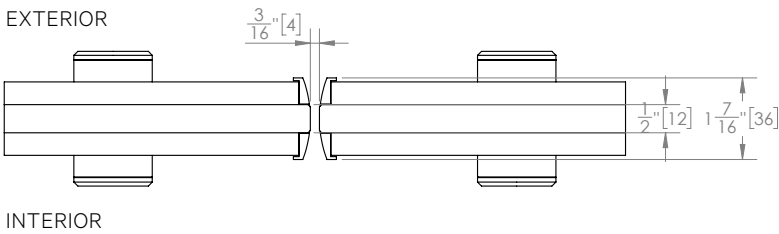
**Detail 9.1**

Folding Panels with Rollers Meeting



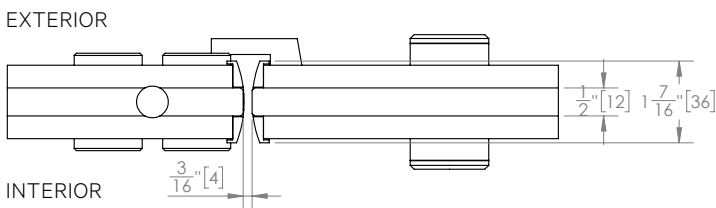
**Detail 8.1**

Meeting of Swing Panels with Mortise Key/Key Cylinder



**Detail 10.1**

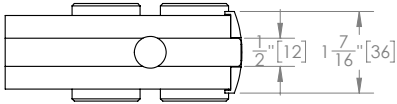
Meeting of Swing and Folding Panel with Rollers and Mortise Key/Key Cylinder



**Detail 5.3**

End Folding Panel with Rollers

EXTERIOR

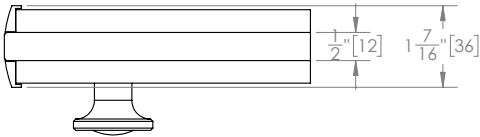


INTERIOR

**Detail 42.1**

Swing Panel with Quick Release Floor Bolt

EXTERIOR

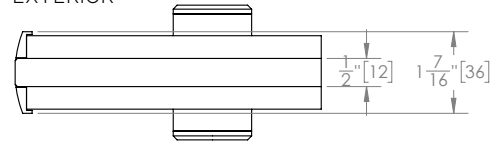


INTERIOR

**Detail 4.1**

Swing or Folding Panel with Mortise Key/Key Cylinder

EXTERIOR

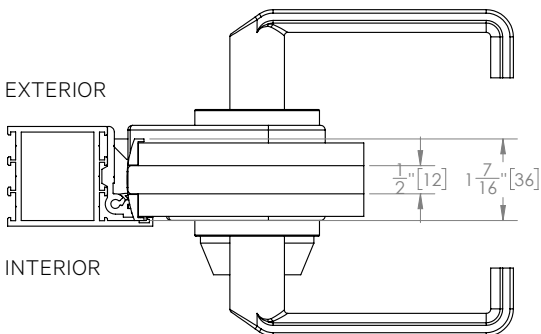


INTERIOR

**Detail 4C.1**

Swing Panel with Lever Handle and Mortise Key/Key Cylinder

EXTERIOR

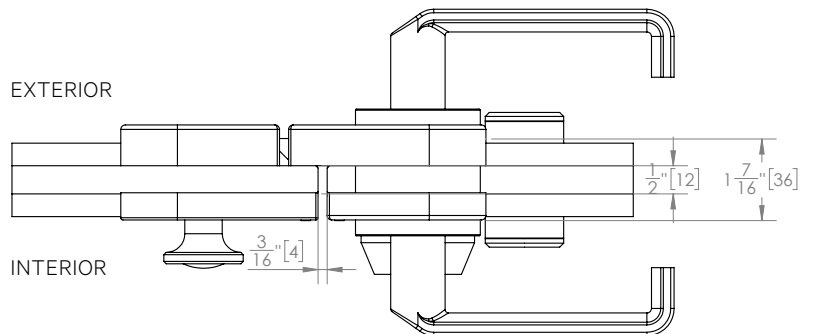


INTERIOR

**Detail 8C.1**

Swing Panel with Lever Handle and Mortise Key/Key Cylinder Meeting Folding Panel with Quick Release Floor Bolt

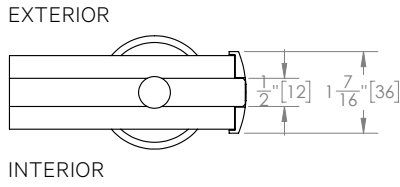
EXTERIOR



INTERIOR

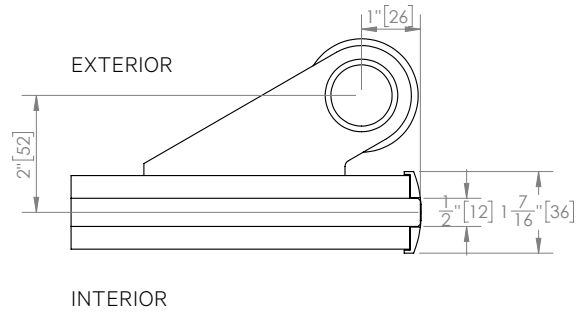
**Detail 3.1**

Single Action End Panel with Pivot Point



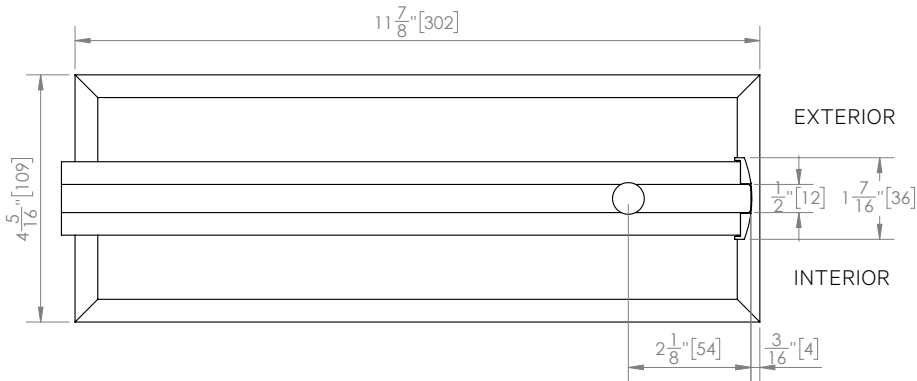
**Detail 33.0**

Single Action End Panel with Offset Hinge



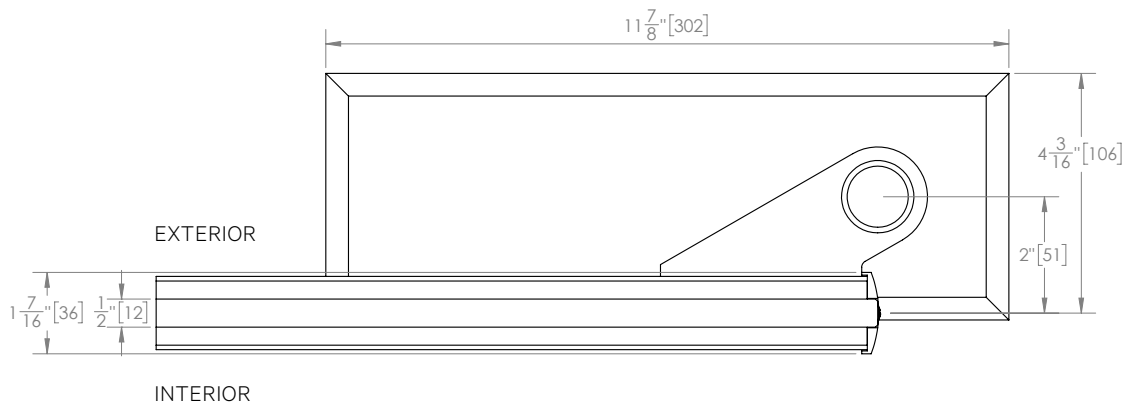
**Detail 32.1**

Single/Double Action End Panel with Floor Closer

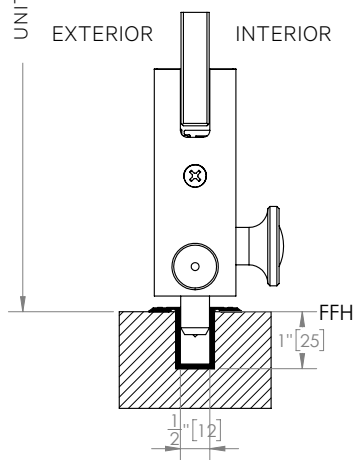
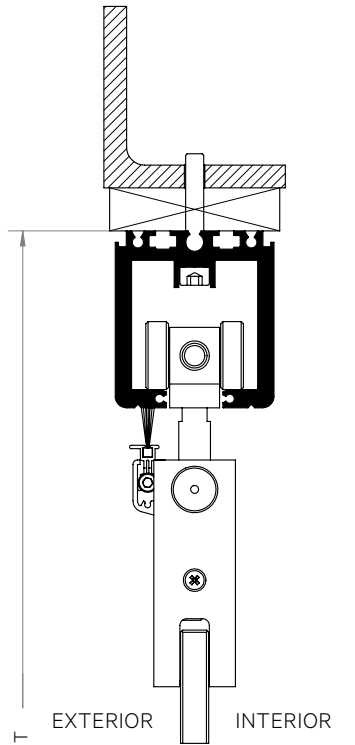


**Detail 3.7**

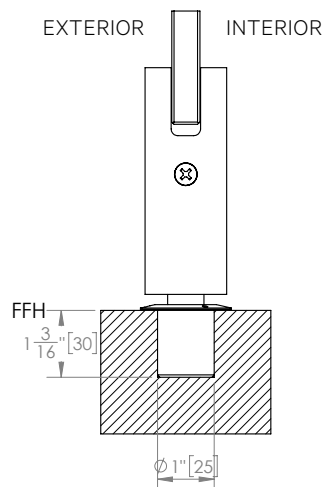
Single Action End Panel with Offset Hinge and Floor Closer



Head Track  
with L-Bracket

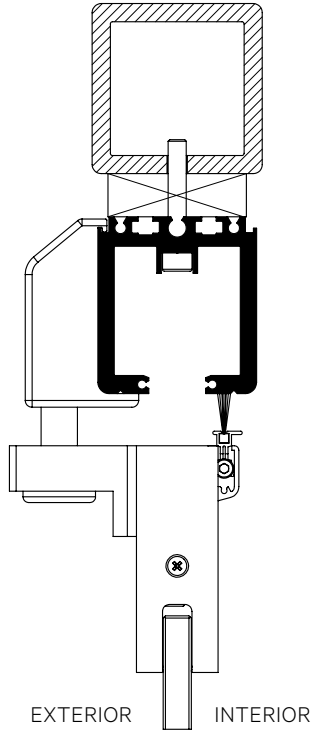


Guide Channel with  
Quick Release Floor Bolt

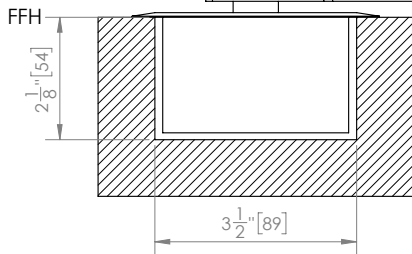
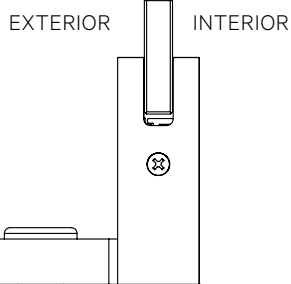
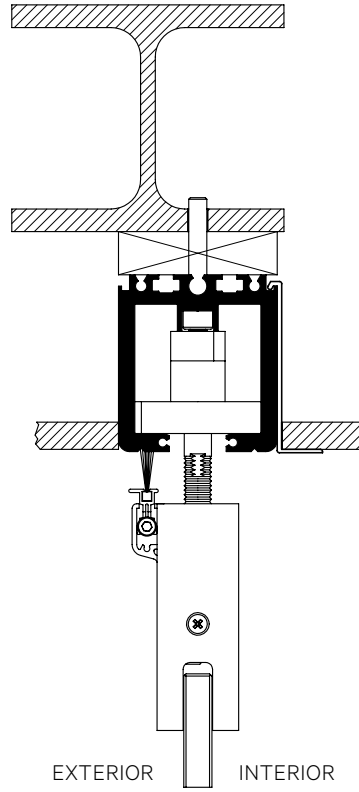


Adjustable Eccentric  
Floor Socket

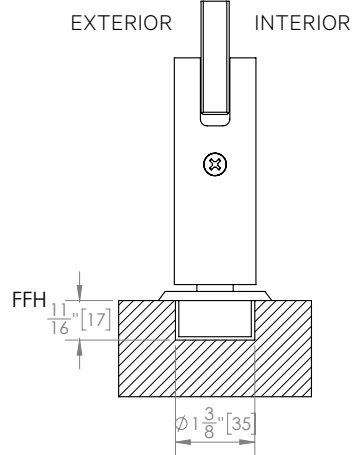
Head Track with Steel Tube



Head Track and Suspended Ceiling Support Profile with I-Beam

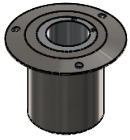


Offset Hinge and Floor Closer for Single Action End Panel

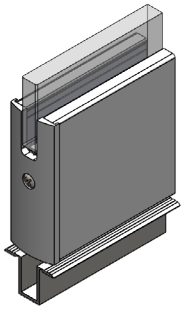


Pivot Point for Single/Double Action End Panel

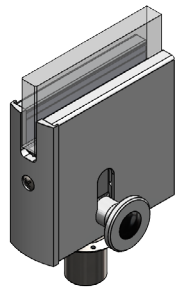
Adjustable Eccentric Floor Socket



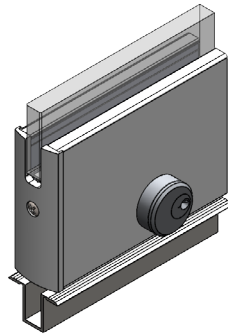
Bottom Profile with Guide Channel



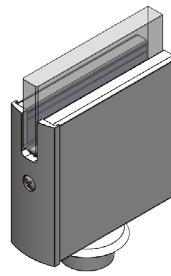
Bottom Profile with Quick Release Floor Bolt



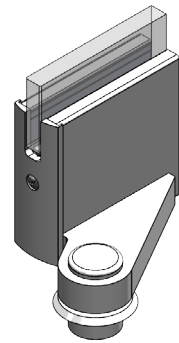
Bottom Profile with Mortise Key/Key Cylinder



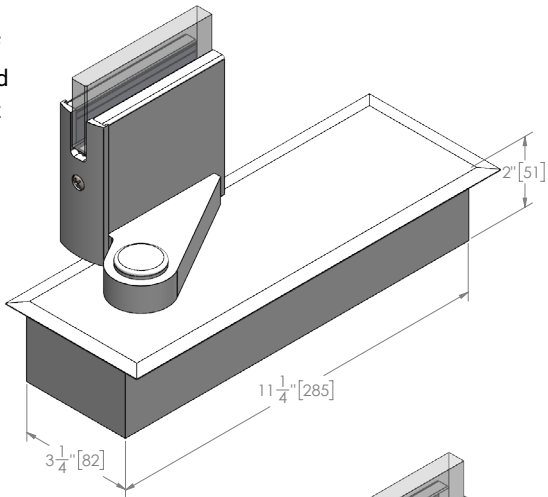
Bottom Profile of Single Action End Panel with Pivot Point



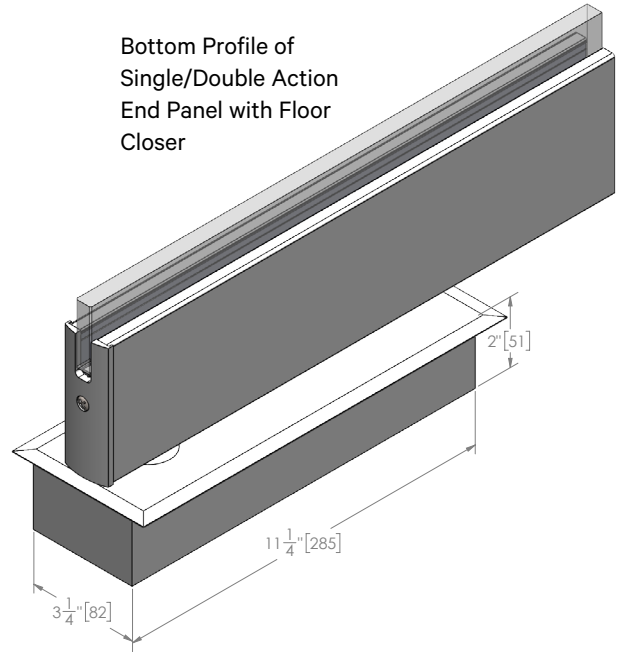
Bottom Profile of Single Action End Panel with Offset Hinge



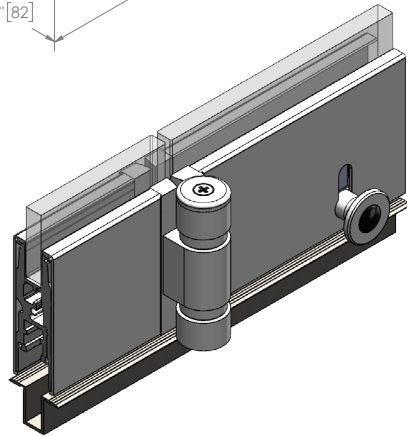
Bottom Profile of Single Action End Panel with Offset Hinge and Floor Closer



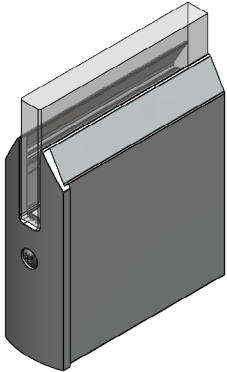
Bottom Profile of Single/Double Action End Panel with Floor Closer



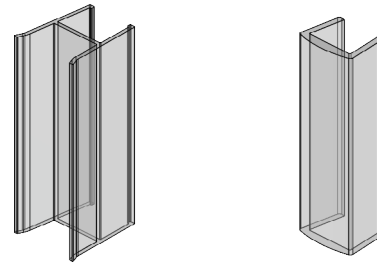
Folding Panels with Hinge and Quick Release Floor Bolt



Aluminum Chamfer Rail



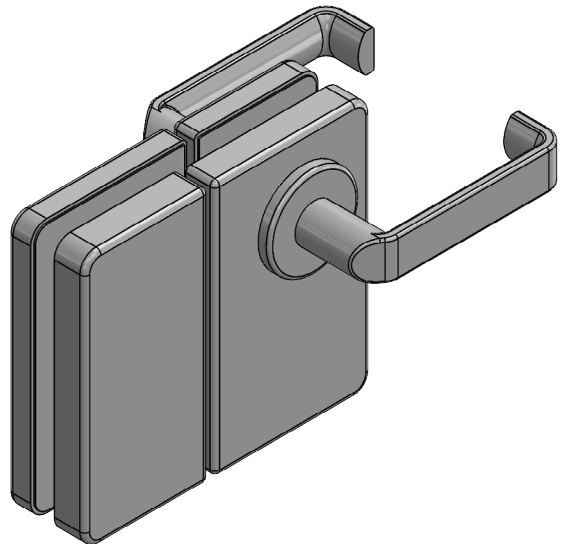
Transparent H-Profile and Edge Protector Seal



Stainless Steel Rosette

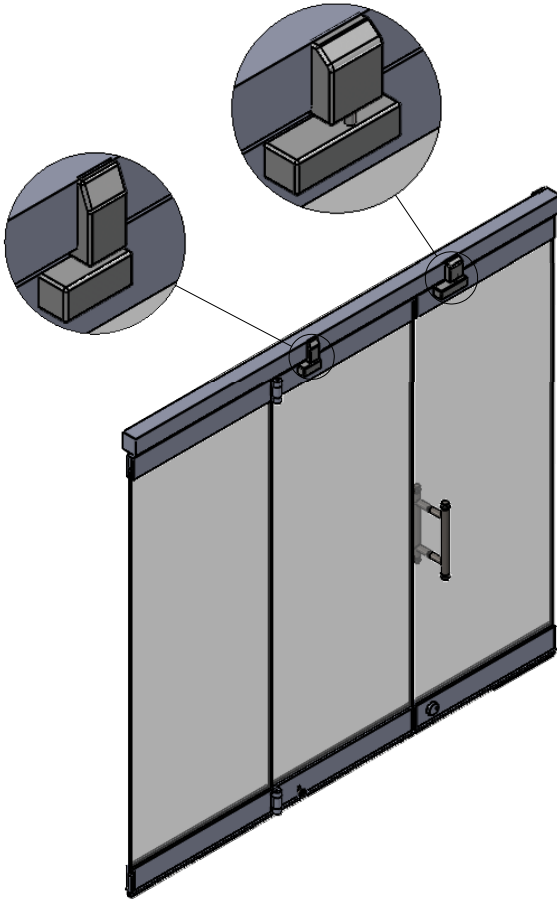


Lever Handle

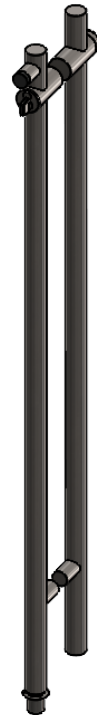




Additional Top Track Locking for Folding and Single Action  
End Panel with Standard Push/Pull Handle



(Operated with  
a crank handle.)



Locking Ladder  
Pull Handle