



Installation and Owner's Manual

PrivaSEE

Single Track Sliding Frameless System

This Manual contains instructions on the installation, operation, maintenance, and warranty of PrivaSEE Single Track Sliding Frameless System by NanaWall. This manual is to be used by the Installer for installation and is to be kept by the Owner for reference. Replacement parts can be ordered directly through NanaWall Systems.

Nana Wall Systems, Inc.
100 Meadowcreek Drive #250
Corte Madera, CA 94925

800 873 5673
415 383 3148
Fax 415 383 0312

info@nanawall.com
nanawall.com
r1-0824

NanaWall
Boundaries **Unbound**[®]

Table of Contents

Installation		
Installation Instructions	2	
Rough Opening Field Survey	4	
Suggested Typical Installation Details	6	
Panel Options	7	
Recommended Fasteners and Shims	8	
Recommended Tools	9	
Generic Installation Instructions		
Head Track Installation	11	
Side Jamb Installation	13	
Panel Installation	14	
Panel Alignment and Adjustment	17	
Floor Socket Installation	18	
Single Action End Panel with Offset Hinge (Non-Sliding) Installation	20	
Bottom Compression Seal Adjustment	26	
Push/Pull Handle Installation	27	
Mortise Cylinder Installation	28	
Panel Height Adjustment	29	
H-and h-Profile Installation	30	
90° Head Track Segment Installation (optional)	31	
		NanaWall Limited Warranty..... 32
		NanaWall Warranty Registration..... 34

Installation Instructions

The installation of the NanaWall system requires a working knowledge and experience in the use of tools, equipment, and methods necessary for the installation of all glass systems, aluminum doors, windows, storefronts, and/or partitions. This practice assumes a familiarity with preparing a proper and structurally sound opening, proper anchorage, caulking, sealing, and assumes an understanding of the fundamentals of building construction that affect the installation of large horizontal single track sliding systems.

Using an independent NanaWall Certified Installer is highly recommended. If an independent NanaWall Certified Installer cannot be used, the installer should have at least some experience in installing NanaWall systems.

IMPORTANT: Read these installation instructions before carrying out any installation work. Install as recommended; otherwise, the unit may not function properly and any warranty, written or implied, will be void.

As regulations governing the use of all glass systems, glazed windows, doors, storefronts, and/or partitions vary widely, it is the responsibility of the customer, building owner, architect, contractor, or installer to ensure that products selected conform to all applicable codes and regulations, including federal, state, and local. Nana Wall Systems, Inc. can assume no obligation or responsibility whatsoever for failure of the customer, building owner, architect, contractor, or installer to comply with all applicable laws and ordinances, and safety and building codes.

Please pay special attention to the thickness of glass for the PrivaSEE single track sliding system. The 1/2" (12 mm) glass thickness we use as our standard is per the guidelines in the Engineering Standards Manual (2019

Edition) of the National Glass Association (NGA with GANA), provided that the supplied H-profiles are field installed between individual sliding panels. Please check with applicable local codes whether glass supplied is acceptable. The weight of a panel with 1/2" (12 mm) thick glass is 8 lbs/ft².

The PrivaSEE all glass systems are shipped with all necessary components. However, the anchoring materials, such as the correct screws, bolts, and shims required to anchor the unit in the rough opening are not part of the scope of supply and are not provided by NanaWall. Selection of the proper anchoring materials are critical to proper installation as outlined in these instructions.

DESCRIPTION OF SUPPLIED PARTS

An accessory box is added to the crates that contain rollers and set screws, hinge pins, floor sockets, various hardware parts, and printed documents. Inspect the product drawings indicating size, configuration, and labeling of the units ordered. Carefully note the information on the rough opening allowances to make sure the rough opening is prepared properly for the system to fit correctly when installed. For orders with multiple units, do not mix and match panels and head tracks, even if two units are exactly the same.

The elevation drawing shows the sequence and number of panels, which depends on the model ordered. **The drawing is always viewed from the outside, but the locking shown is what is on the inside.** The sequence of labeling of panels starts from the left looking from outside with the left most panel labeled Panel #1.

Check all parts carefully before assembly. Depending on the model, some of these parts may already be pre-installed on the panels. Check that the sizes of the head track components, panel sizes, and configurations match what was ordered according to the signed product drawings that show all dimensions of the system.

The head track is shipped in knocked down components and needs to be assembled. Prior to hanging the panels, two rollers per panel must be installed to the pre-assembled shoe. The remainder of the panel is pre-assembled with glass, ready to be attached to the installed head track. In most cases, pivots, brushes, and locks are pre-attached to the panels.

Other components include:

- Ladder Pull, other handles or other hardware, as ordered may not be pre-attached to the panels and will be in the hardware box or shipped separately.
- The upper track components consisting of the head track in the opening, the stacking route(s) and the parking bay(s) as shown in the layout drawing of your unit. The drawing shows how they are labeled and how they have to be connected. The joints for the segments are indicated and necessary connectors for connecting different upper track pieces are provided.
- The removable head track (RHT) portion to insert the panel with rollers is indicated on the layout drawing.
- Side jambs.
- Floor closer.
- Vertical H- and h-profiles to be cut to size and field applied.
- Parts of the top door closer (if any) are pre-attached to the top rail.
- The locking receiver for the Reverse Ladder Pull, to be installed on the side of the head track, will be in the hardware box.

HANDLING OF COMPONENTS

1. Upon receipt, inspect the shipment to ensure it is in good condition. Any potential damage must be noted on the Bill of Lading at the time of delivery by the customer. Any shipping damage to crates and components inside must be photographed and reported to NanaWall immediately. Please email pictures with your order number to service@nanawall.com and contact the Service Department at (800) 873-5673 ext. 256.
2. Make sure that the accessory box with the rollers, hinge pins, floor sockets, various hardware parts, and printed documents does not get lost. Please also verify the product drawings for this order and the Installation and Owner's Manual are in the box. If these are missing, please contact NanaWall at info@nanawall.com to get these documents.
3. Store in a clean and dry location and protect against defacement or damage, especially to the edges of panels.
4. Always practice safety. Wear the appropriate eye, ear, and hand protection items, especially when working with power tools. These panels can be heavy and awkward to handle. Use appropriate assistance and safety procedures, including safe lifting techniques, to avoid personal injury and damage to product.

PREPARATION OF THE ROUGH OPENING

IMPORTANT: To avoid future problems, check the condition on site before starting the installation. **Do not install your unit until the rough opening has been measured, dimensions properly checked with supplied product drawings and correctly prepared.**

It is important that the system is properly supported at the top and at the proper locations. All rough opening spaces and allowances shown in the product drawings are meant for shimming the system to be installed perfectly plumb, level, and square. For necessary clearance and shim adjustment space, rough opening is suggested to be 1" (25 mm) wider than the unit width (1/2" on each side) and 3/4" taller than the unit height for vertical measurements of the unit ordered (check to comply with applicable codes for maximum shim space allowed). It is important that the rough opening be the correct size.

Note that the height of the unit ordered is measured from the underside of the eccentric ring of the floor socket that usually sits on top of the finished floor to the top edge of the head track that can be recessed into the ceiling. An important reference for the preparation of the rough opening is the finish floor height.

Product performance that includes operation, depends on having the gap between the bottom of the panel and the top of the finish floor be maintained at 1/4" (6 mm) along the opening and the stacking area. The gap between the top edge of the upper clamping profile and the underside of the head track has to be maintained at a nominal gap of 9/16" (15 mm). The rollers can be adjusted, if needed. The finish floor needs to be absolutely level across the length of the opening, the direction of the swing panels and in the parking bay area.

It is highly recommended to install this system in a rough opening only. The shim space around the system is required—if the system is installed into a finished opening there will be space exposed around the system that will still need to be trimmed.

IMPORTANT: Because of the large opening sizes and the weight and movement of the panels, any application should take into consideration the following **Rough Opening Steps:**

1. As the PrivaSEE system is a top-hung system, it is essential that a proper header with the proper size and thickness be used for the support structure above not only as support for the head track in the opening but support of the head track at all locations including the parking bay and stacking route.
2. The structural integrity of the header is critical for proper operation. The maximum vertical deflection allowed at the header, under full live and dead loads (only dead load imposed after product installation), is 1/4" (6 mm). There should be no vertical live load deflection of the floor. The header, surrounding walls, and floor must also be able to support any lateral loads. Perimeter fasteners and substrate must be capable of withstanding reaction forces imposed by wind, distributed loads, and/or dead load. There may be additional structural requirements not mentioned here.
3. The surrounding conditions must be designed and anchored to properly transfer all loads to the main building structure.
4. A qualified engineer or architect should be used to determine the proper construction details and the header to be used in your particular application.

5. THE ROUGH OPENING SHOULD BE "PERFECTLY" LEVEL, PLUMB, AND SQUARE AT ALL POINTS. There should be no unevenness or bowing. Make sure that the header is not tilted or twisted. There should be no bumps on the floor. The sides should be in the same vertical plane and not offset of each other. A transit/laser and other similar precise measuring equipment should be used. Finish flooring in the path of the sliding panels, to and from the stacking area and in the path of any swing panels, must be level and low at all points to not interfere with panel movement. Do not use soft finish flooring materials. 1/8" (3 mm) carpet tiles with a very low tuft and no padding underneath are acceptable.
6. For the installation of bottom floor closers, pivot boxes, and floor sockets in concrete slabs and wood, the substrate should be a minimum of 4" thick, these components should be fully embedded into the concrete or wood and the clear edge distance in concrete or wood should be a minimum of 2".
7. Floor sockets and bottom floor closers will need to be installed at precise locations after all panels are installed and final adjustments are made.
8. Installations into heavy gage all metal studs must have wood backing.
9. For better performance, it is recommended that all dead loads such as upper levels, roof, etc. be constructed before a unit is installed to limit the deflection of the header after installation of the door system.
10. Envelope details are not part of the base NanaWall installation and will be unique to each project—proper trimming and envelope details around the perimeter of the opening are to be designed and completed by others. This is not part of the scope of work from the independent NanaWall Certified Installer.

11. Make sure you seek proper professional advice for the appropriate construction and envelope details needed for your application and jurisdiction.

INSTALLATION OF FRAME AND UNIT

For head track and panel installation, please see section Head Track Installation and Installation Sequence of Panels in this document.

FINAL STEPS

Finishes, trim work, and sealant needed around the perimeter of the opening to be designed and finished by others.

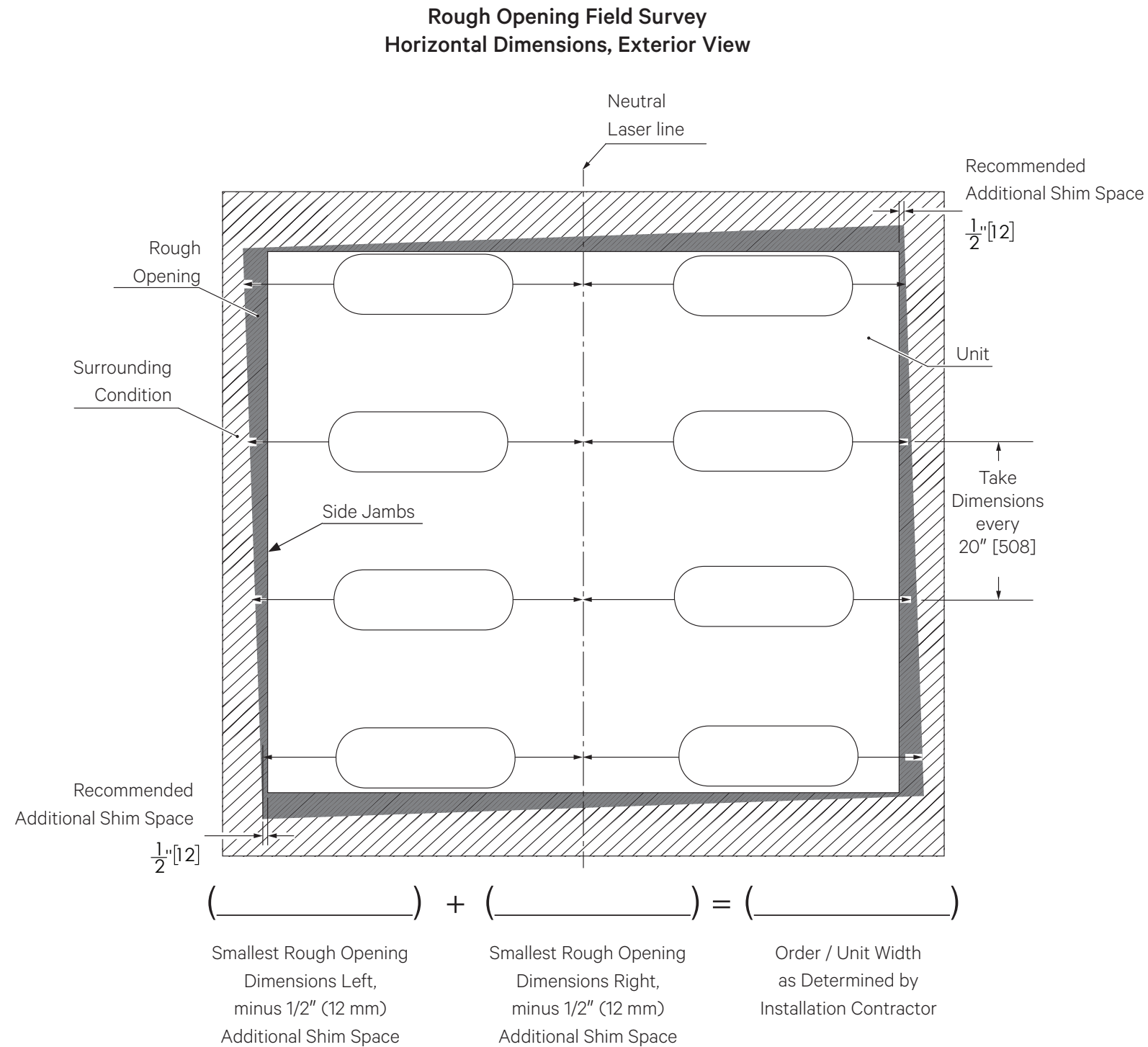
To prevent uncontrolled movement of the panels when in open position, place appropriate door holder by others as needed.

PROTECTION OF UNIT DURING CONSTRUCTION PHASE

It is important that during the construction phase to keep the PrivaSEE all glass systems open (if possible), covered, and protected from damage. During this phase, a unit is often subject to the most extreme conditions from all types of construction operations that can cause permanent damage or destroy a unit. A unit can be damaged by cement splatter, tar, paint, weld splatter, falling objects, construction dust, sand blasting, etc. All temptations to use the large opening of an installed system for easy ingress and egress by tradesmen should be resisted.

Rough Opening Preparation

Rough Opening Field Survey Horizontal Dimensions, Exterior View

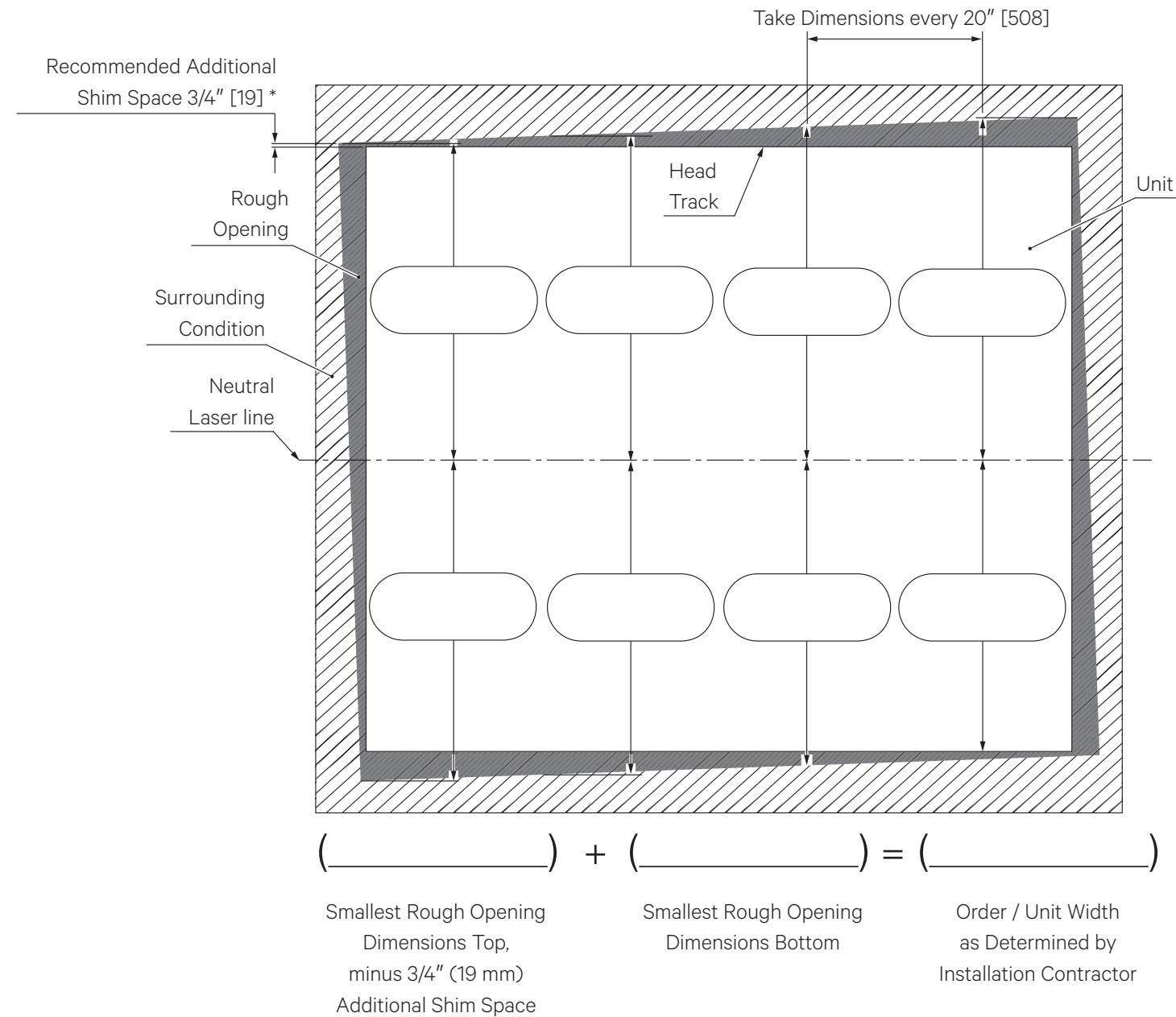


The structural integrity of the header is critical for proper operation. The maximum vertical deflection allowed at the header under full live and dead loads (only dead load imposed after product installation) is 1/4" (6 mm). There should be no vertical live load deflection of the floor. The header, surrounding walls, and floor must also be able to support any lateral loads. The weight of a panel with 1/2" (12 mm) glass is 8 lbs/ft².

Rough Opening Preparation

Rough Opening Field Survey Vertical Dimensions, Exterior View

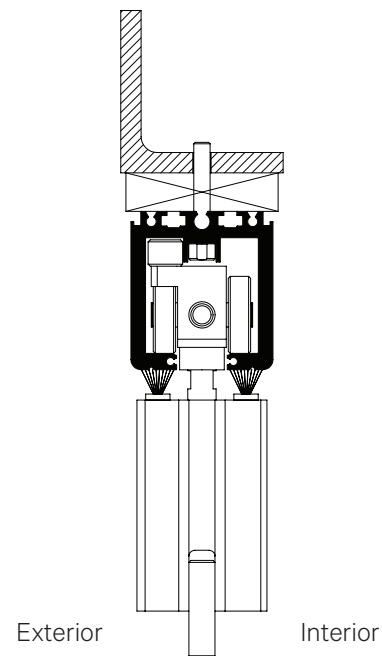
Rough Opening Field Survey Vertical Dimensions, Exterior View



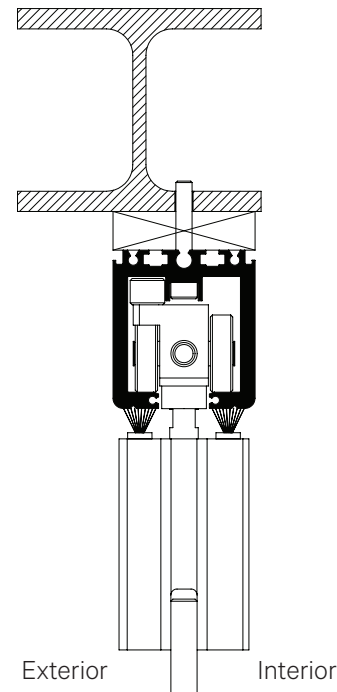
The structural integrity of the header is critical for proper operation. The maximum vertical deflection allowed at the header under full live and dead loads (only dead load imposed after product installation) is 1/4" (6 mm). There should be no vertical live load deflection of the floor. The header, surrounding walls, and floor must also be able to support any lateral loads. The weight of a panel with 1/2" (12 mm) glass is 8 lbs/ft².

Installation Details

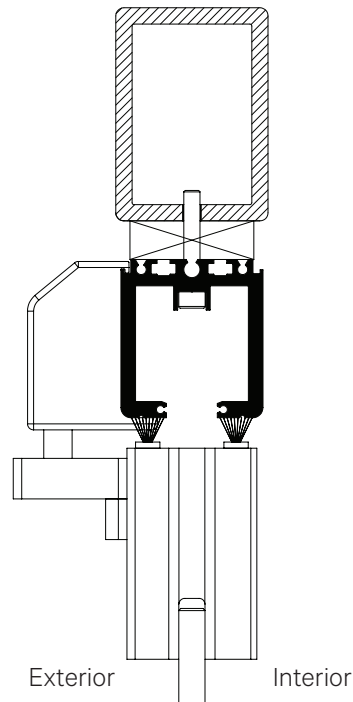
Head Track with L-Bracket



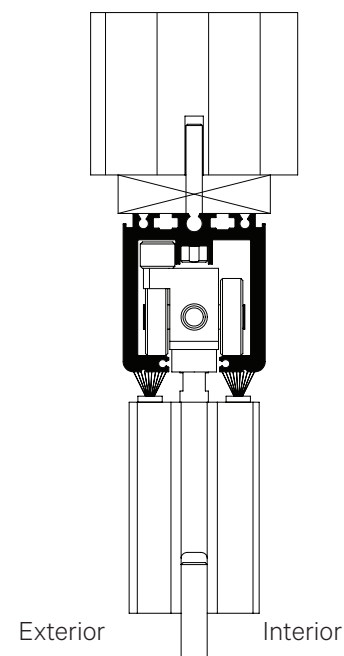
Head Track with I-Beam



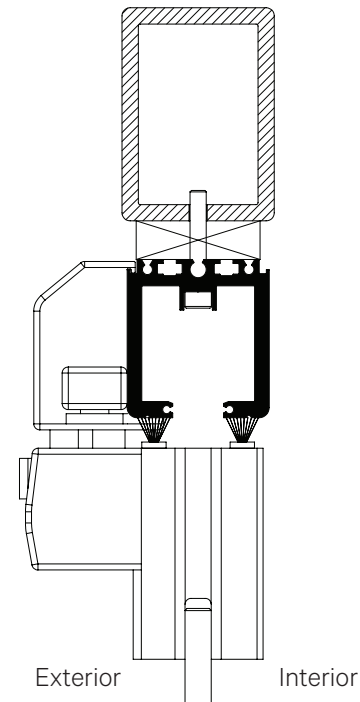
Head Track with Steel Tube



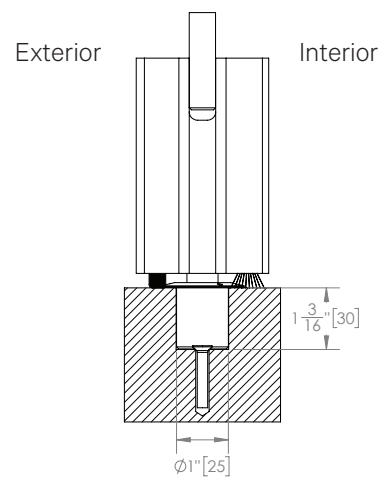
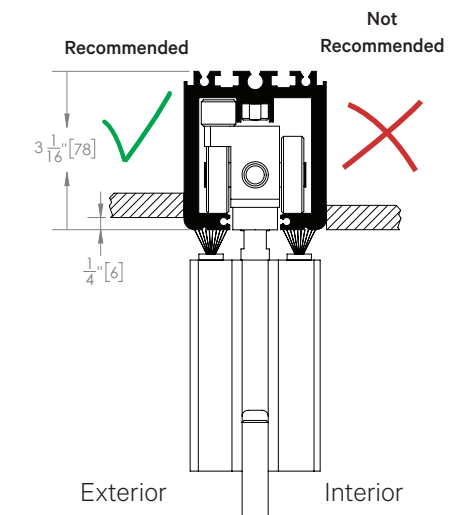
Head Track with Wood Header



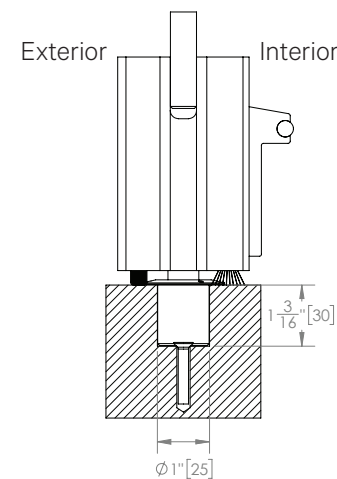
Head Track with Steel Tube



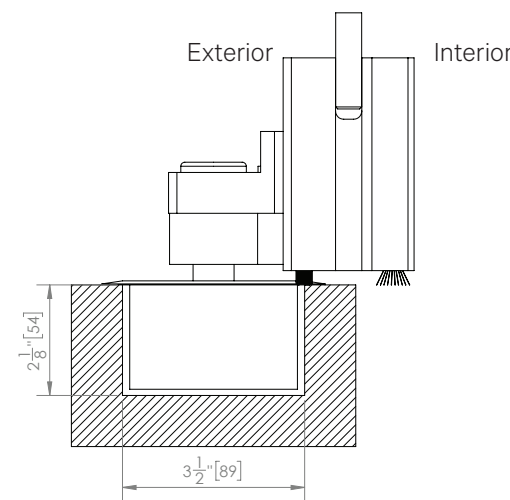
If you want to recess the head track into the ceiling, we recommend to leave 1/4" (6 mm) visible to avoid scrub marks from the top brush seals in the area of the swing panel, stacking bays, and 90° corner turns.



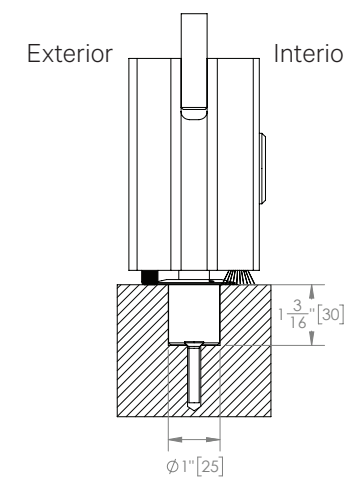
Sliding Panel with Concealed Automatic Interlock



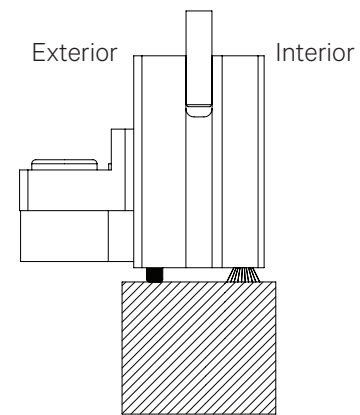
Sliding Panel with Foot Activated Floor Bolt



Single Action End Panel with Offset Hinge and Floor Closer



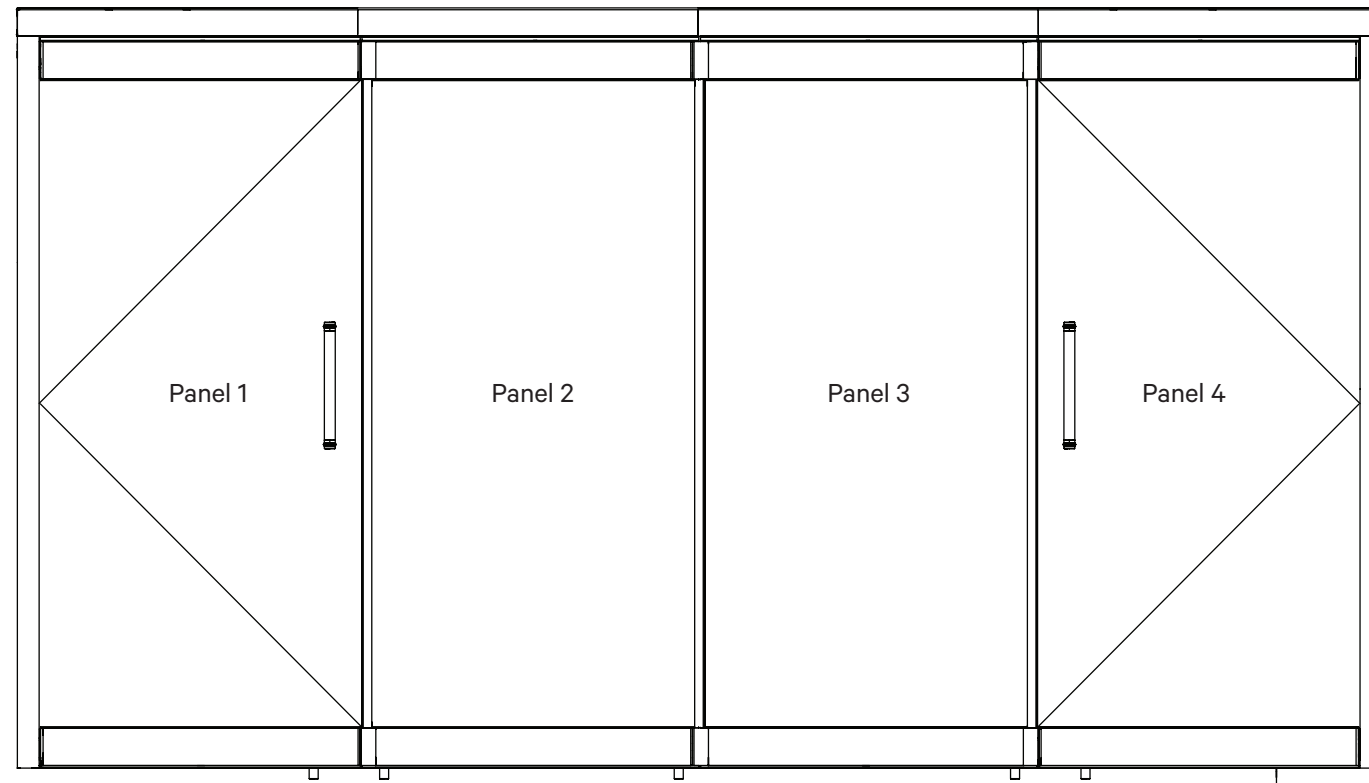
Single Action End Panel with Half Mortise Cylinder (interior only)



Single Action End Panel with Top Door Closer and Offset Bottom Hinge

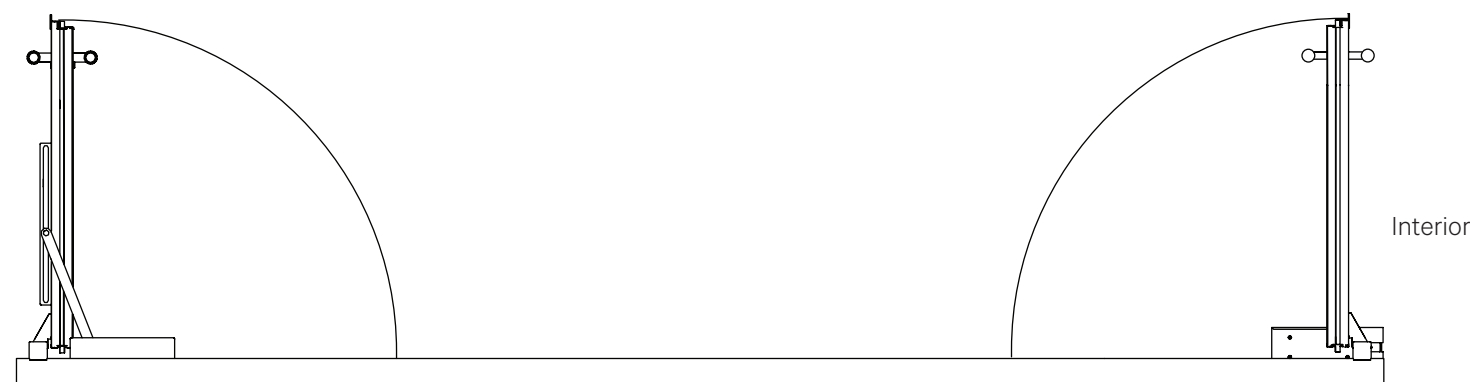
Panel Options

Orientation of PrivaSEE Product Drawings are shown from the exterior.



View from exterior

Panel #	Option
Panel 1	Single Action End Panel with Offset Hinge and Top Door Closer (ATEB)
Panel 2	Sliding Panel (SF)
Panel 3	Sliding Panel (SF)
Panel 4	Single Action End Panel with Offset Hinge and Floor Closer (ATES)



Interior

Exterior

Recommended Fasteners and Shims

SELECTION OF APPROPRIATE FASTENERS

Use appropriate screws or other equivalent anchorage devices depending on the adjacent substrate material and construction. Ensure they are corrosion resistant, preferably a suitable grade of stainless steel. Anchorage devices should penetrate or hold sufficiently to the opening to withstand necessary structural loading.

General recommendations for different substrates:

Wood Frame (minimum specific gravity of G=0.42):

Use #14 (1/4" diameter) wood screws with 2" minimum embedment.

Concrete (minimum compressive strength of 2000 psi):

Use 1/4" diameter ITW Tapcons (concrete screws) with 1 3/4" minimum embedment with 1 1/2" minimum edge distance. Alternatively, 1/4" stainless steel screws with expanding anchors may be used.

Masonry (grout filled block per ASTM C9- with FM=2000 psi minimum):

Use 1/4" diameter ITW Tapcons (masonry screws) with 1 3/4" minimum embedment with 1 1/2" minimum edge distance.

Structural Steel (minimum 1/4" thick):

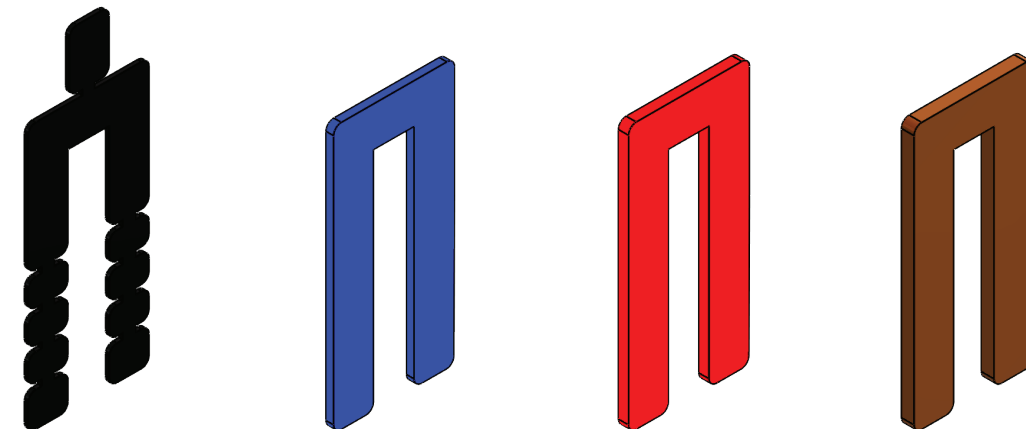
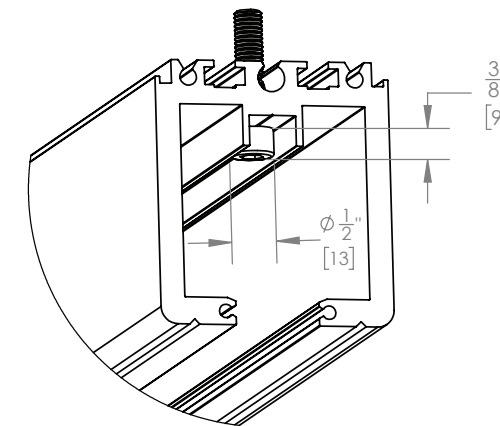
Use 1/4" diameter self-tapping steel screws. Another option is to use type 410 stainless steel self-tapping screws with pre-drilled pilot holes. Another option is to use 1/4" diameter SAE 2 bolts in pre-drilled holes.

IMPORTANT: Steel studs or box beam headers are not adequate for proper support of our systems and will not meet the deflection criteria of 1/4" (6 mm) cumulative as described earlier. If steel studs are used, they must be backed by 3" (76 mm) of solid continuous wood to attach to. Please check with your local structural engineer or architect.

SELECTION AND USE OF INSTALLATION SHIMS

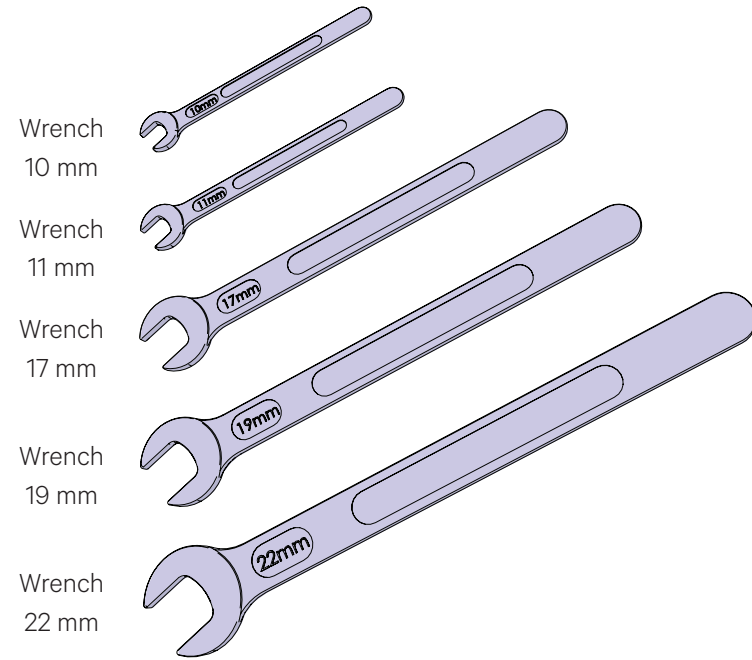
Use only hard plastic 'horseshoe' style glazier's shims that are capable of sustaining the applicable loads. Wood or rubber shims are NOT appropriate. Shims are to be installed between the system frame and the building structure at every fastener location to keep the frame components straight, level, and plumb, without any twisting.

Recommended Fasteners

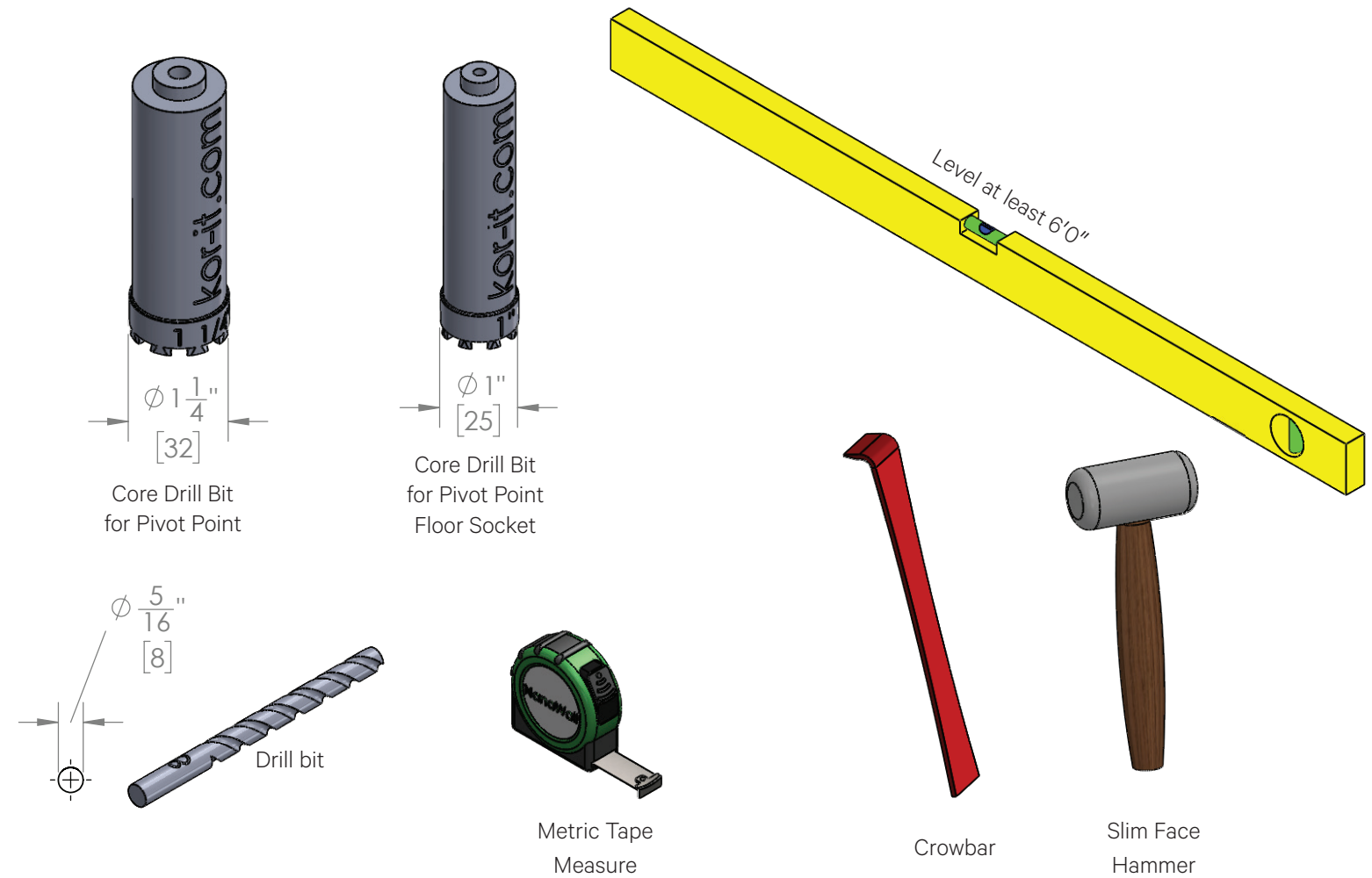


Recommended Tools

Metric Tools Supplied in Accessory Box

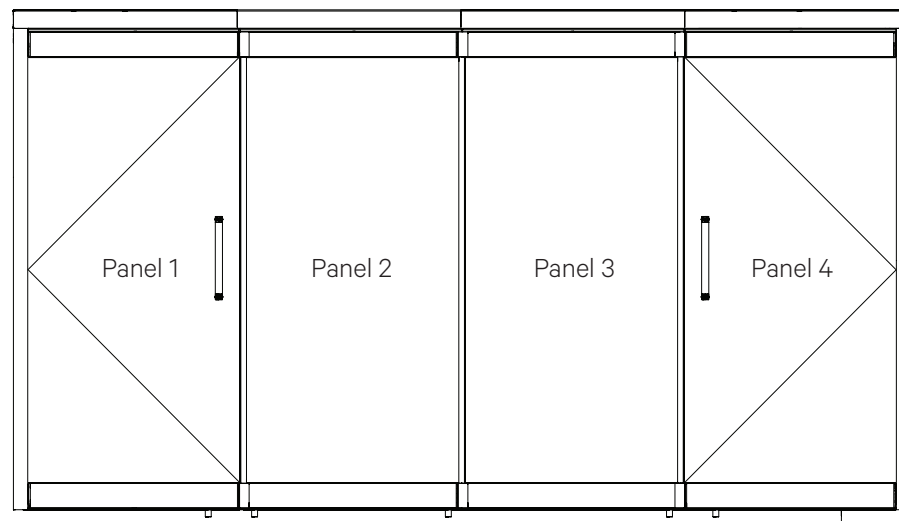


Required Additional Tools



Generic Installation Instructions

This manual is based on the installation of a 4 panel system in the below configuration as viewed from the exterior.

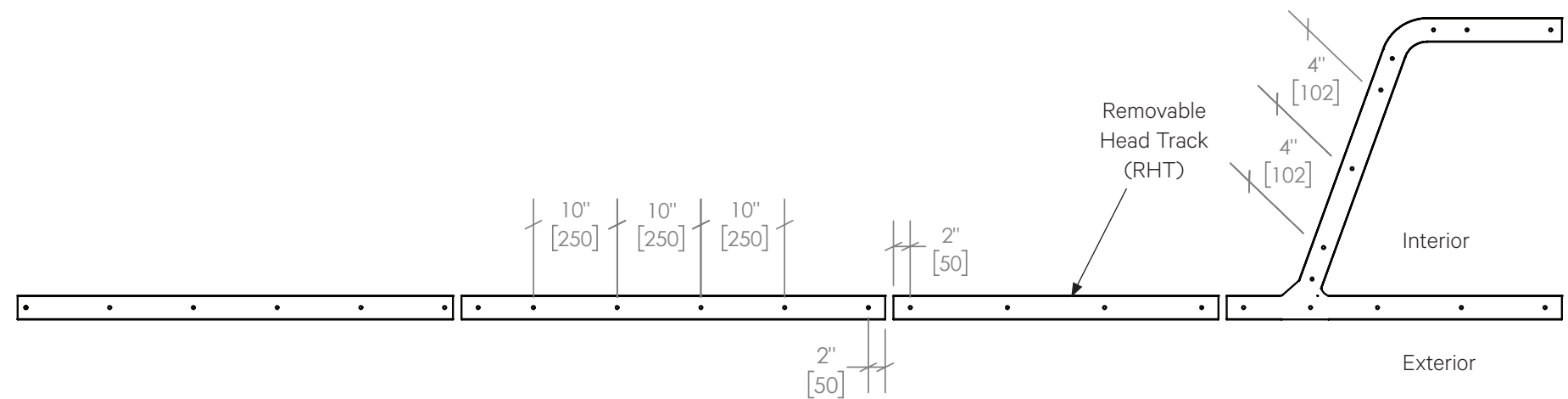


ATTENTION: #1 INSTALLATION CHALLENGE !!

Finish flooring in the path of the sliding panels, to and from the stacking area, and in the path of any swing panels must be level and low at all points to not interfere with panel movement.

HEAD TRACK IN KNOCKED DOWN CONDITION

(supplied in knocked down condition)



HEAD TRACK COMES PRE-DRILLED.

NanaWall does not provide nor take responsibility for sizes, location, or frequency of perimeter fasteners.

Please refer to the Custom Product Drawings for your specific project.

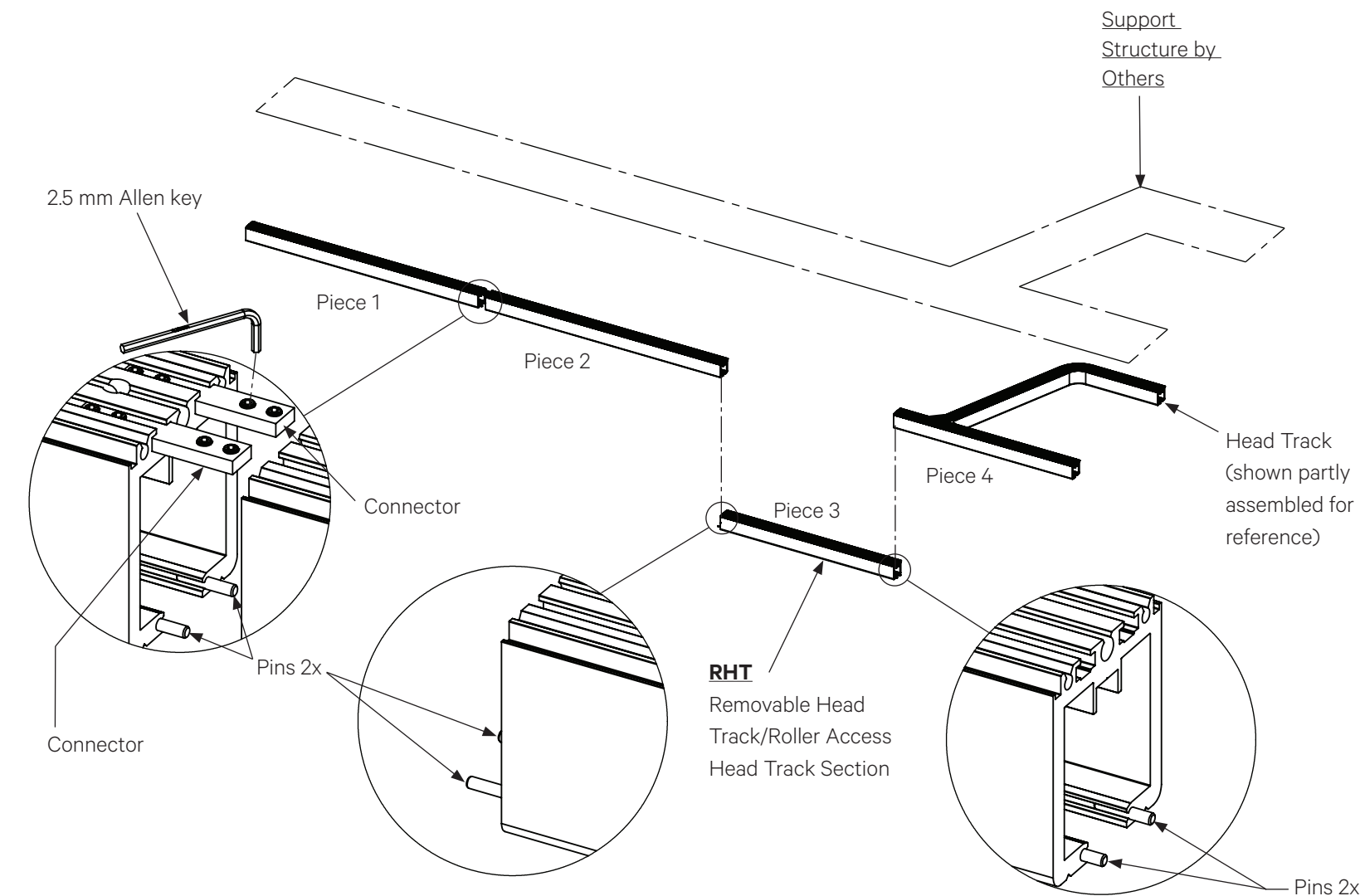
The correct fastener spacing in the support structure within the opening and the stacking area depends on substrate material, design, wind load pressures (if exterior) of project, panel height, and other requirements of the project. All anchoring details and requirements should be determined and verified by the project structural engineer. Please pre-drill any additional anchorage holes as needed.

1 Pre-drilled anchorage holes.

1. The head track is pre-drilled in the factory with anchorage holes at spacing's of about 10" (250 mm) for 5/16" (8 mm) diameter fasteners.
2. The spacing of anchorage devices in the parking bay should be every 4" (102 mm) and in the stacking route approximately every 10" (250 mm). Please pre-drill any additional holes as needed.

Head Track Installation

ASSEMBLY OF HEAD TRACK

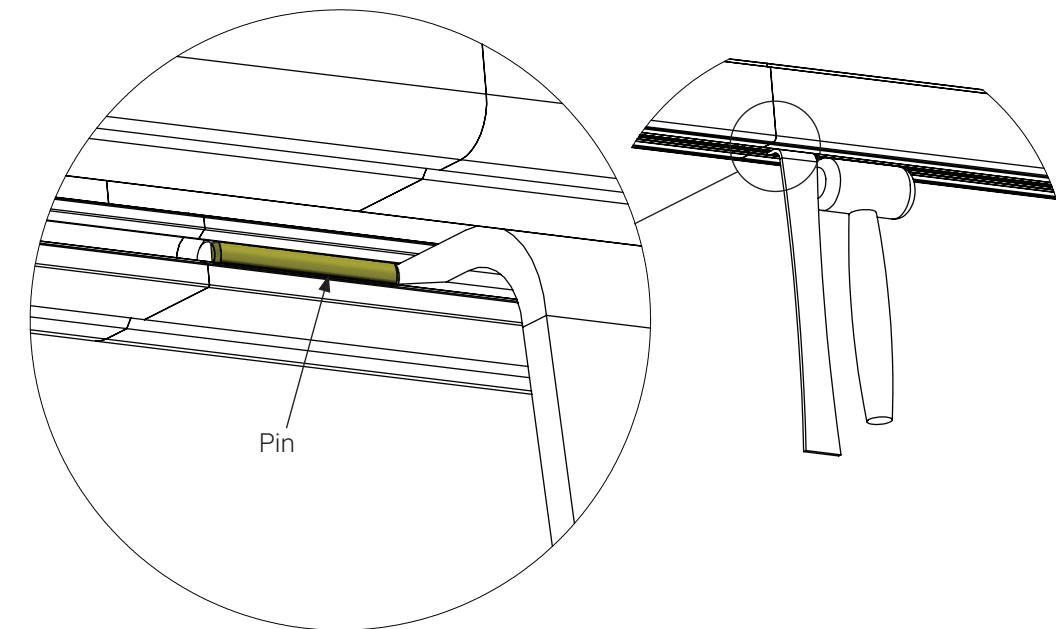


The key to having a properly installed and operating PrivaSEE system is to install a perfectly level head track at the correct height from the level finish floor.

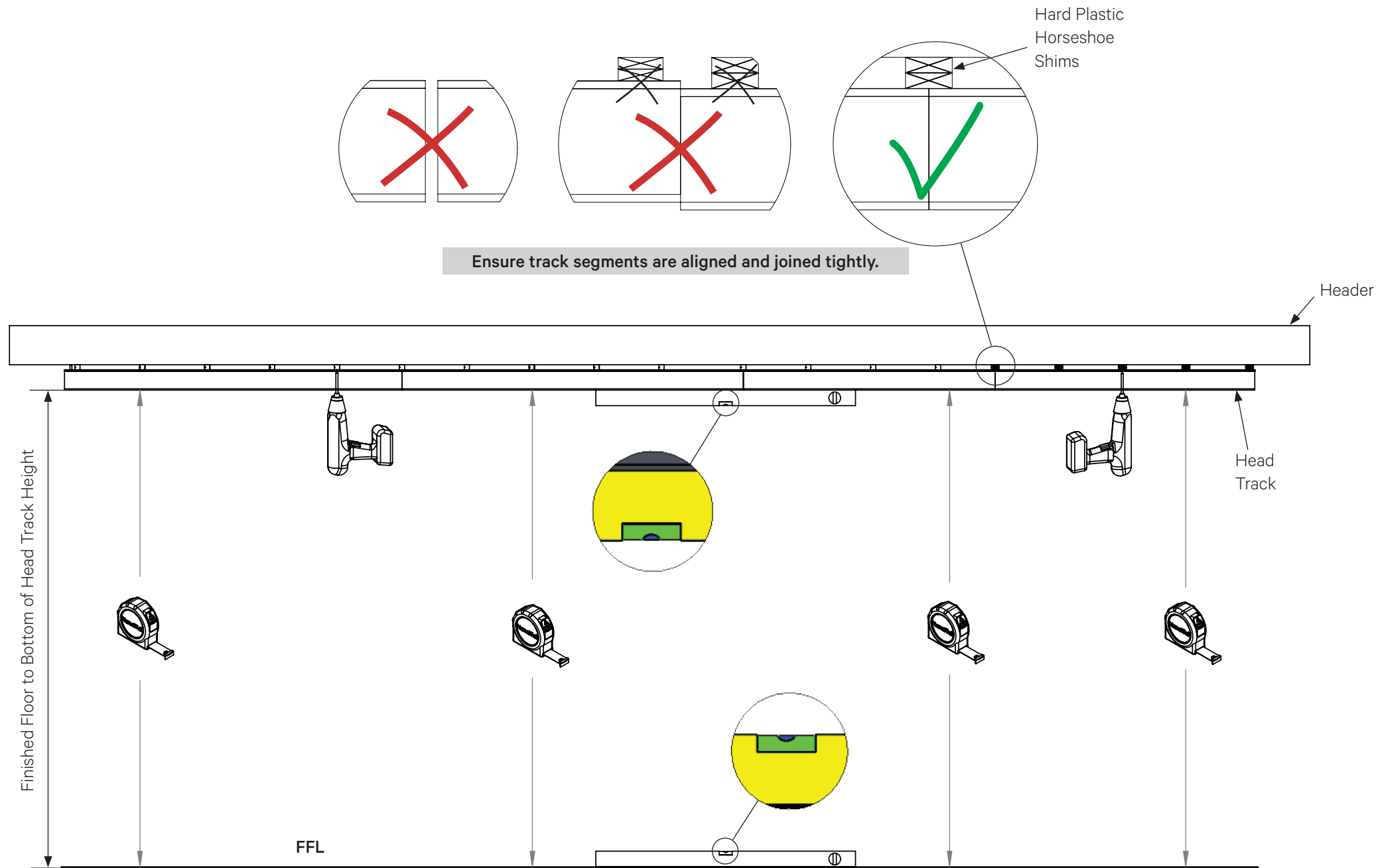
If installing an open corner (90°) or 135° corner, please refer to the *135° or Open Corner* section of the manual for track installation.

1 Assemble the head track.

1. Look for the labels on the different head track segments and side jambs and set them on the floor as per the layout of the product drawing.
2. Attach as many of the head track pieces together that could be supported and installed as one piece, not including the removable head track section (RHT).
 - Secure with the connectors and set screws provided.
3. Ensure that the correct angles between segments are maintained and that the transitions between the track segments are perfectly aligned and smooth.
4. The roller access head track section is a removable section in the head track. *This section will need to be removed later when the panels are installed and leave 1/32" space between the ends of the RHT and its adjacent tracks.*
 - Secure RHT into place with two pins on each end. Tap into place using a crowbar and mallet.



HEAD TRACK SHIMMING AND ANCHORING



- 2 Insert the shims.**
 1. Place hard plastic horseshoe shims tightly at every mounting point between the head track and the header.
- 3 Anchor the head track.**
 1. Anchor the head track with appropriate fasteners through the pre-drilled holes or as needed.
 2. Assemble and install other segments of the head track in a similar manner.

IMPORTANT: Adjust each anchorage point as needed to ensure the head track is absolutely level, joined tightly, aligned, and not twisted. Use a transit, rotary laser level, or other similar precise measuring equipment should be used to verify the rough opening is prepared properly.

Ensure no shims are forced to ensure that the head track is not bowed. If head track is not installed properly, this will cause the rollers to wear out prematurely. This damage to the rollers is not covered under the warranty.

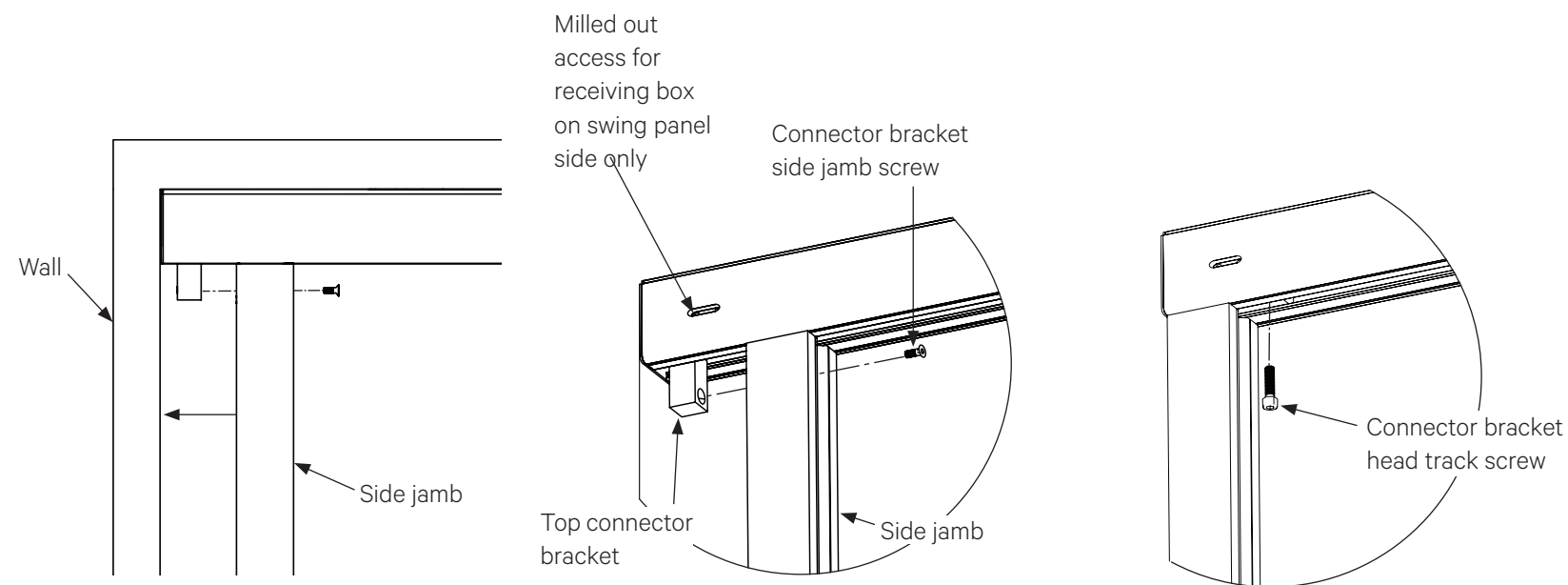
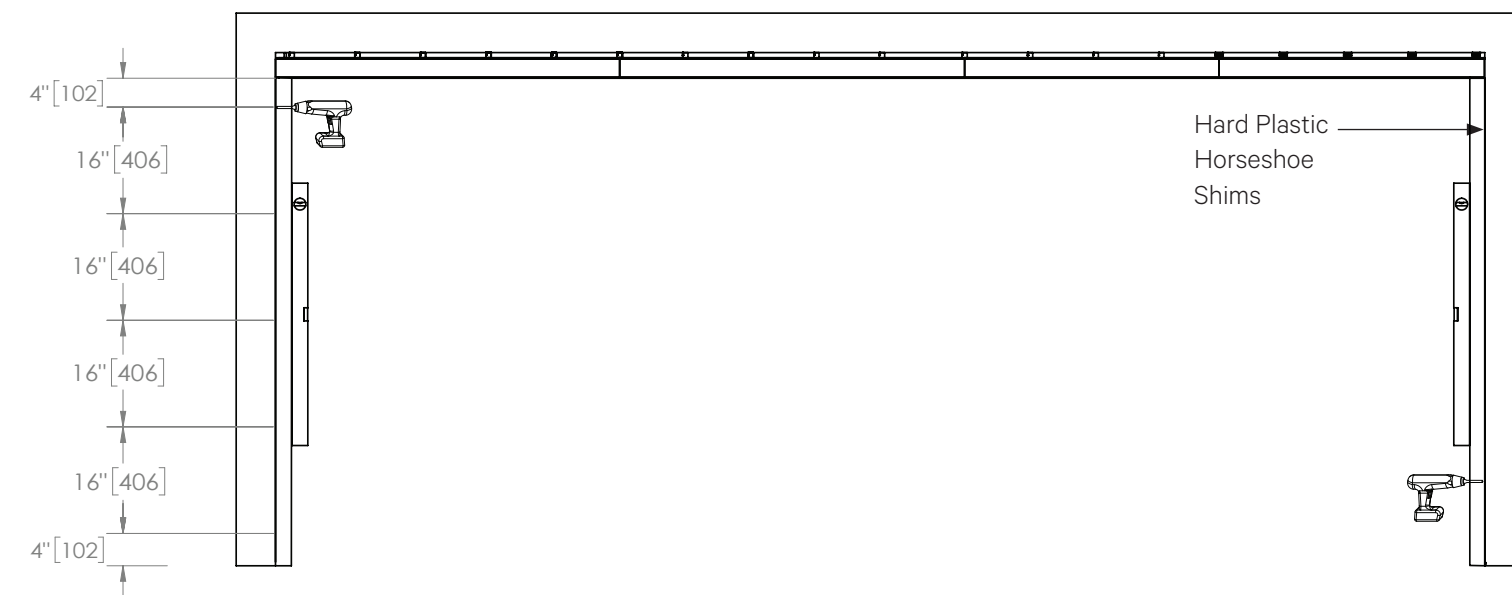
Ensure that all surfaces of the head track are clean and free of any debris, especially cuttings from drilled holes.

Do not attach anything from the side against the head track.

Do not drill any holes for sockets, pivot points, and floor closers, at this stage!

Side Jamb Installation

SIDE JAMB DRILL PATTERN, SHIMMING, AND ANCHORING



Ensure the side jambs are properly level, plumb, and aligned. Also ensure the jambs are properly aligned with the head track.

1 Drill holes in side jambs.

- Pre-drill holes in the center of the side jambs according to recommendations in image on the left.
 - Start 4" (102 mm) from each end of the side jamb profile to drill the first holes.
 - Spread the remainder of the holes equally over the full height of the side jamb, not exceeding 16" (406 mm) between holes.
 - All anchoring details and requirements should be determined and verified by the project structural engineer.
 - Ensure screw heads are countersunk so they do not make contact with the glass edge when installed into the jambs.

2 Anchor the side jambs.

- Place the side jamb vertically between the top track and the finished floor.
- Fit the top connector bracket (in the head track) into the groove on the back of the side jamb.
 - Secure the side jamb to the head track through the connector bracket with the included fastener.
- Anchor the side jamb to the wall with appropriate fasteners through the previously-drilled holes or as needed.
- Place hard plastic horseshoe shims tightly at every mounting point between the side jamb and the wall.
- Ensure the side jamb is plumb in both directions prior to anchoring in place.
- Repeat for the other side jamb and check dimensions.

IMPORTANT: Adjust each anchorage point as needed to ensure the side jambs are absolutely plumb and not twisted. Use a level/laser and other similar precise measuring equipment to make these determinations.

Do not force shims to ensure that the side jambs are not bowed. If side jambs are not installed properly, this will cause the glass panels to not seat properly in the jambs and may cause damage to the panels.

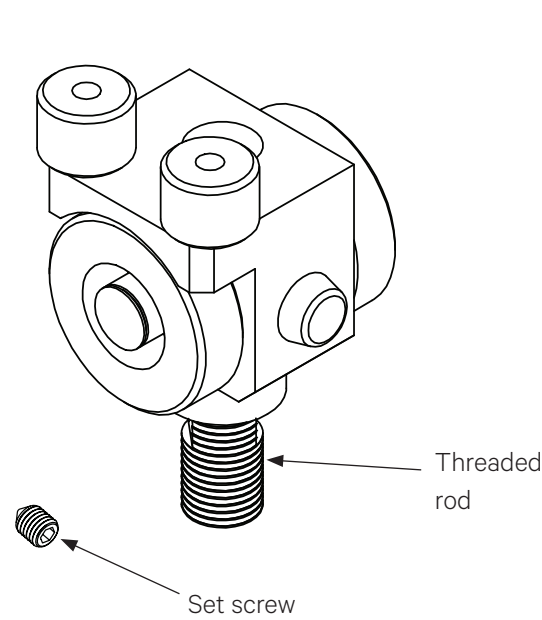
Do not attach anything from the side against the head track.

Do not drill any holes for sockets, pivot points, and floor closers, at this stage!

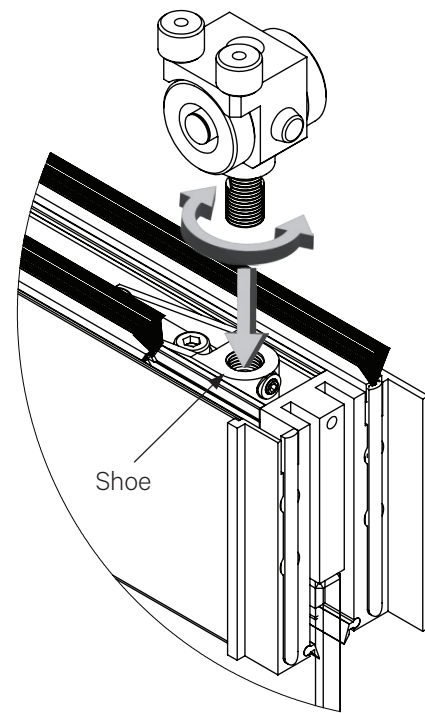
Do not attach to a finished opening that has compressible substrates, i.e. Sheetrock® or gypsum board.

Panel Installation

INSTALLATION OF ROLLERS

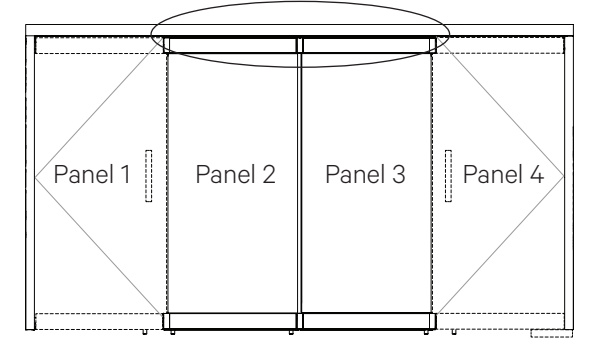
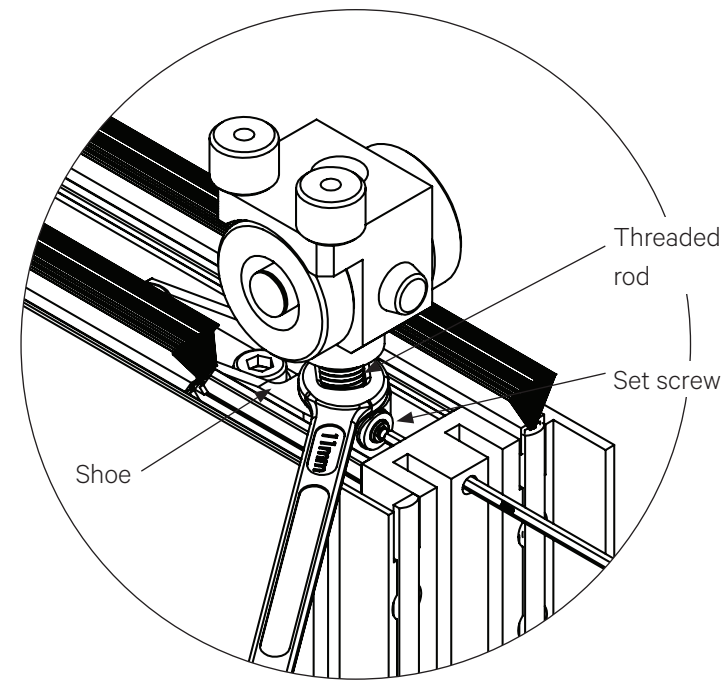


1 Rollers and set screws are shipped loose in a separate bag in the accessory box.

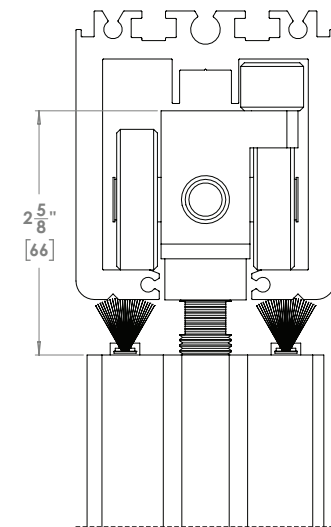


2 Insert rollers into clamping unit.
Rollers do not come pre-installed in the rail.

1. Lay the assembled door panel on a set of saw horses for support.
2. Screw the threaded rod into the concealed shoe inside the top rail.
 - Apply blue medium viscosity Loctite to threaded rod.



Top rail hidden for easier viewing of the roller and clamping unit.

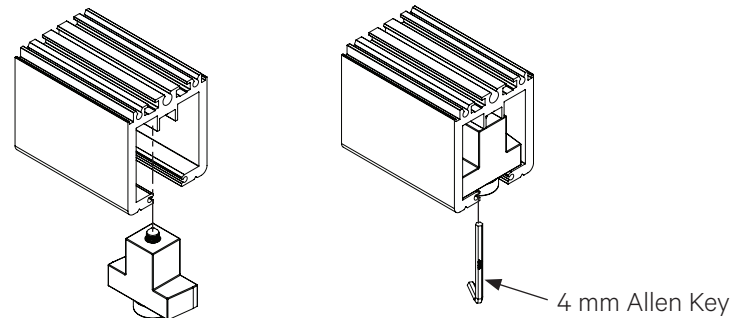


3. All rollers should be installed at the same height. Adjustments later should be avoided.

- The distance between the top of the roller and the edge of the top rail should be 2 5/8" (66 mm).
- After final adjustment, secure set screw from the side.
- Do not overtighten to avoid damaging the fine thread of the axle.

INSTALLATION OF STOPPERS AND SLIDING PANELS

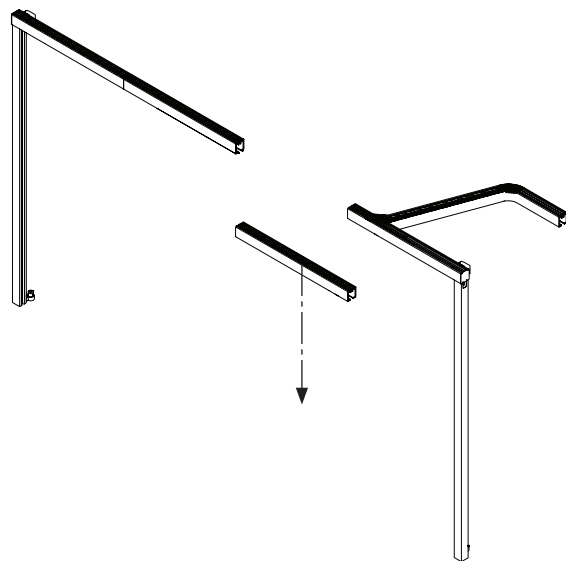
Track end cap hidden for easier viewing of the stopper.



1 Insert stoppers into head track.

1. Before inserting the panels, add stoppers at the very ends of the head track to prevent panels from coming off the track.
2. Insert into track oriented as shown above and rotate inside track.
3. Secure with an Allen key.

2 Remove the roller access head track section (RHT).



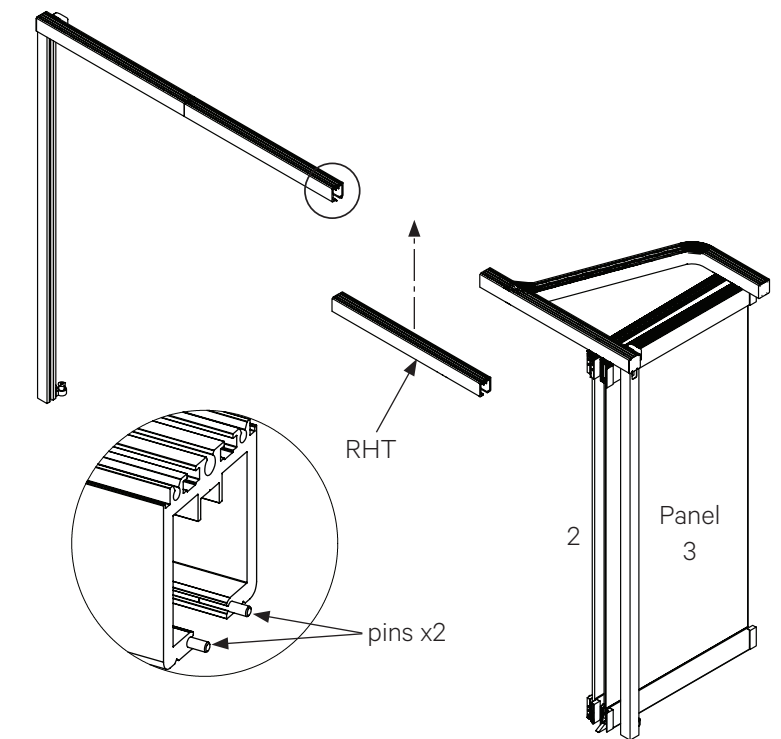
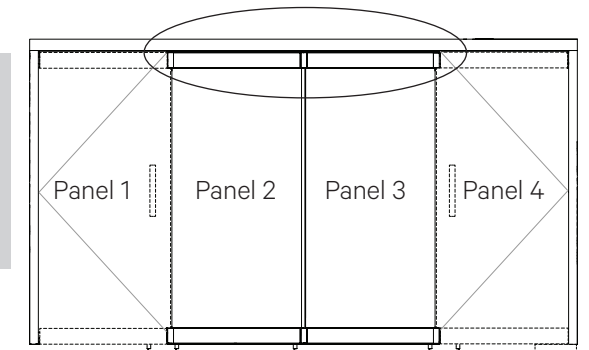
3 Installing hanging panels.

1. Check all the rollers on all the sliding panels.
2. Determine the interior/exterior side of the panels and install them such that they are facing the correct direction. (Refer to Panel Installation Sequence section for reference.)
3. Hang sliding panels by inserting each panel into the opening of the head track in the proper sequence as indicated in the product drawings.
4. Temporarily stack them in the parking bay.

IMPORTANT: DO NOT INSTALL ANY SINGLE ACTION END PANELS (NON-SLIDING) AT THIS STAGE.

Do not make any adjustments on the rollers.

Ensure to hang the sliding panels facing the proper direction. For reference, foot activated interlocks are typically installed on the interior side of sliding panels.



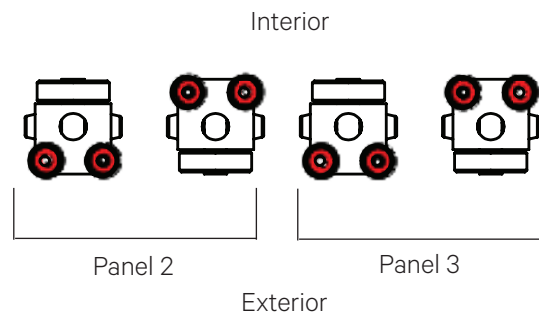
4 Reinstall removable head track.

1. After inserting all sliding panels, reinstall and fasten removable head track (RHT) to the header and drive alignment pins in place.
2. Ensure the joints are properly aligned. (Refer to Head Track Shimming and Anchoring section for reference.)

Do not drill any additional holes for sockets, pivot points, and floor closers, yet!

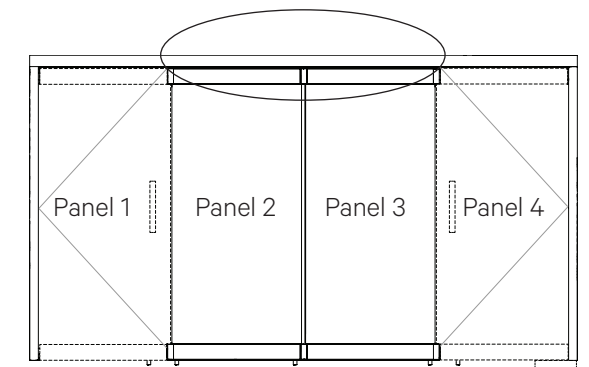
INSTALLATION SEQUENCE

2D Drawing Shown from Overhead

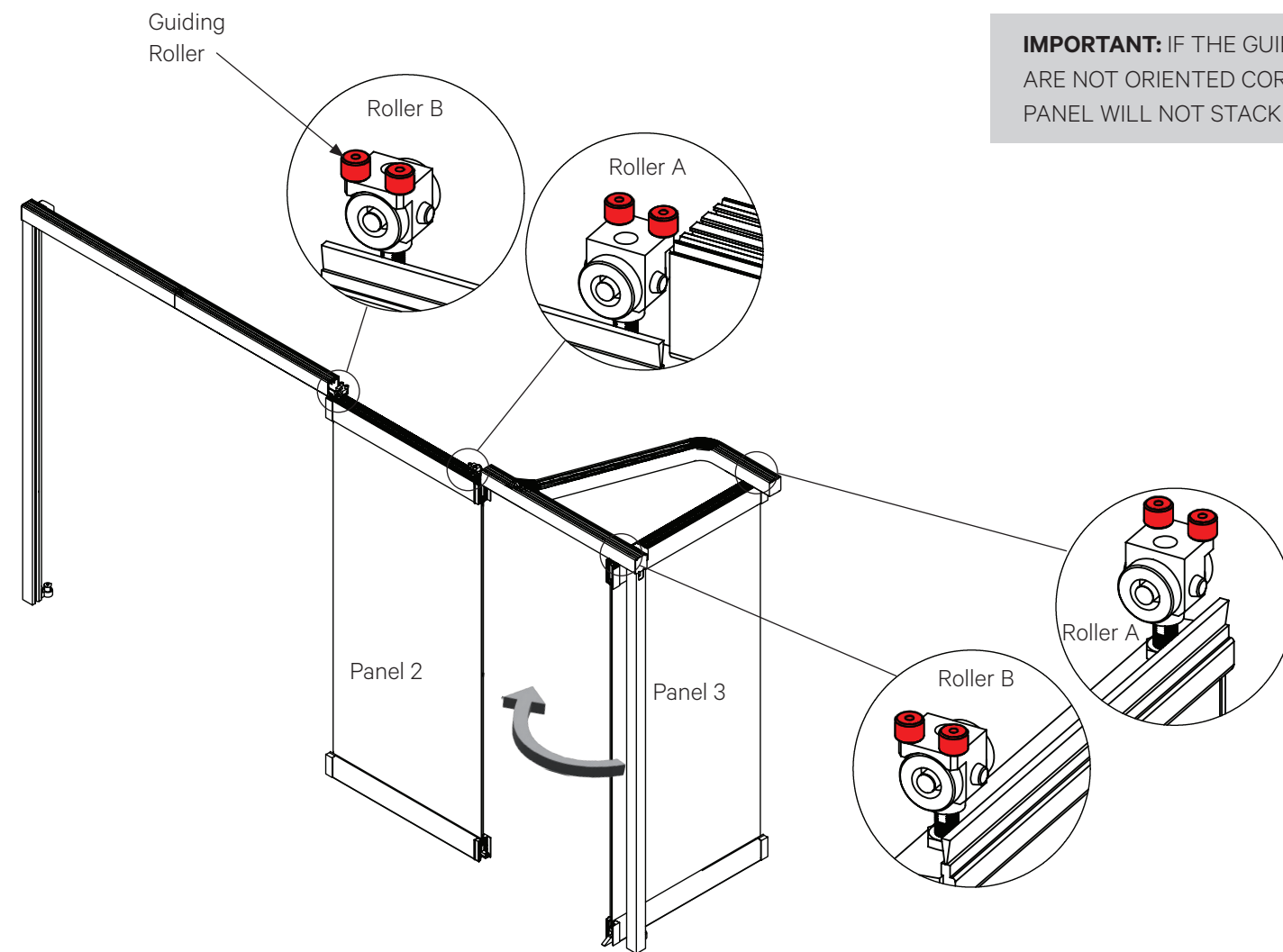


1 Guide roller orientation.

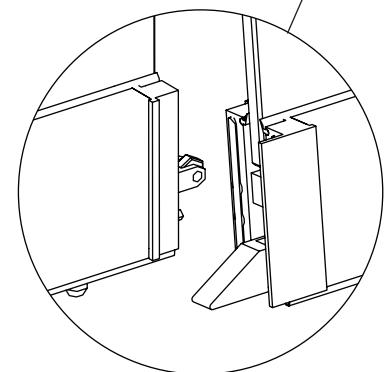
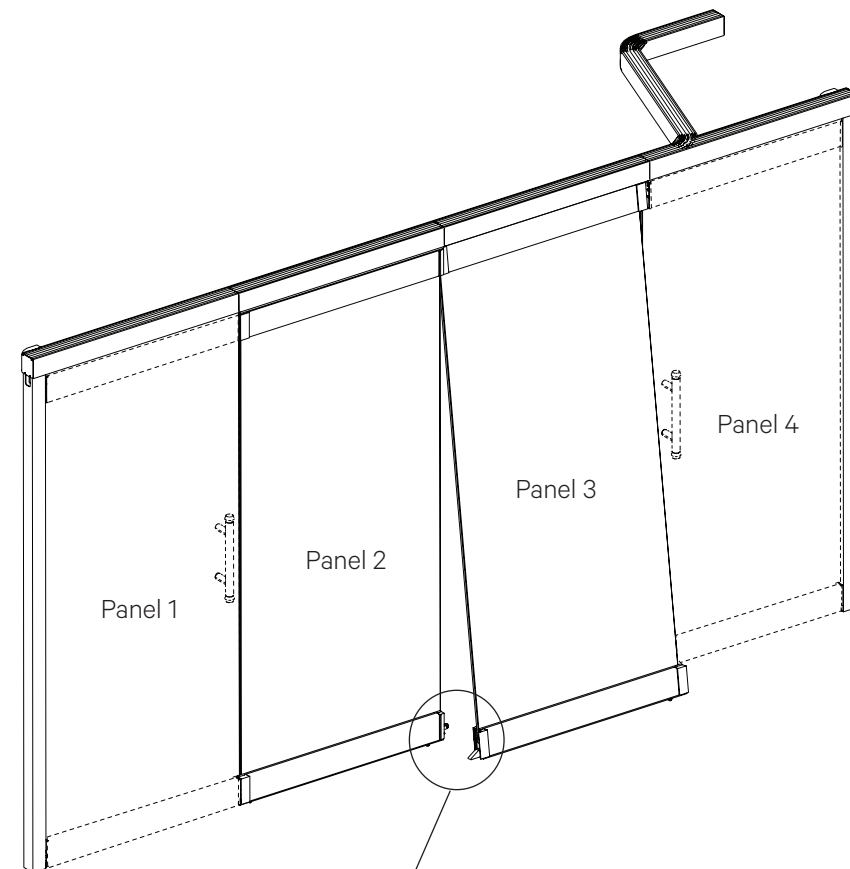
1. Orient the guiding rollers on each panel as shown above.
2. Ensure the orientation of the guiding rollers of the carrier, on each panel, is on the proper side. See the custom product drawings for the correct orientation (straight line with rollers on top of the orientation).



IMPORTANT: IF THE GUIDING ROLLERS ARE NOT ORIENTED CORRECTLY, THE PANEL WILL NOT STACK PROPERLY.



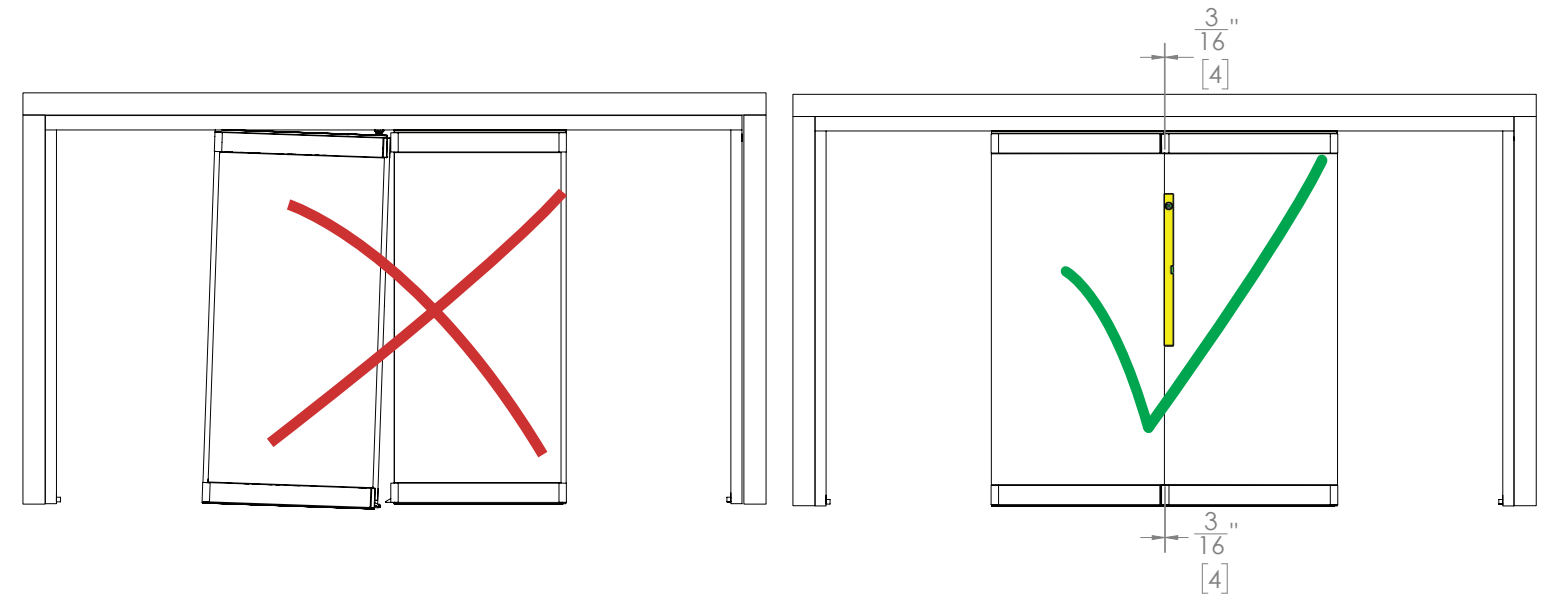
Panel Alignment and Adjustment



Offset Panels before Adjustment

1 Adjust the panel.

1. After inserting all the sliding panels, slide them to the correct closed position and offset them to one another so that any side protruding locking mechanism is not in the way.
2. Ensure the single action offset end panel will fit within the remaining opening.



2 Check that all panels are plumb.

1. Check if all panels are vertically straight and if enough space is left for the single action end panel (non-sliding).
 - Between panels there should be an even gap of about 3/16" (4 mm) from top to bottom.
 - The horizontal spacing between the bottom of a panel and finish floor should be approximately 1/4" (7 mm) consistently across the width of the unit.

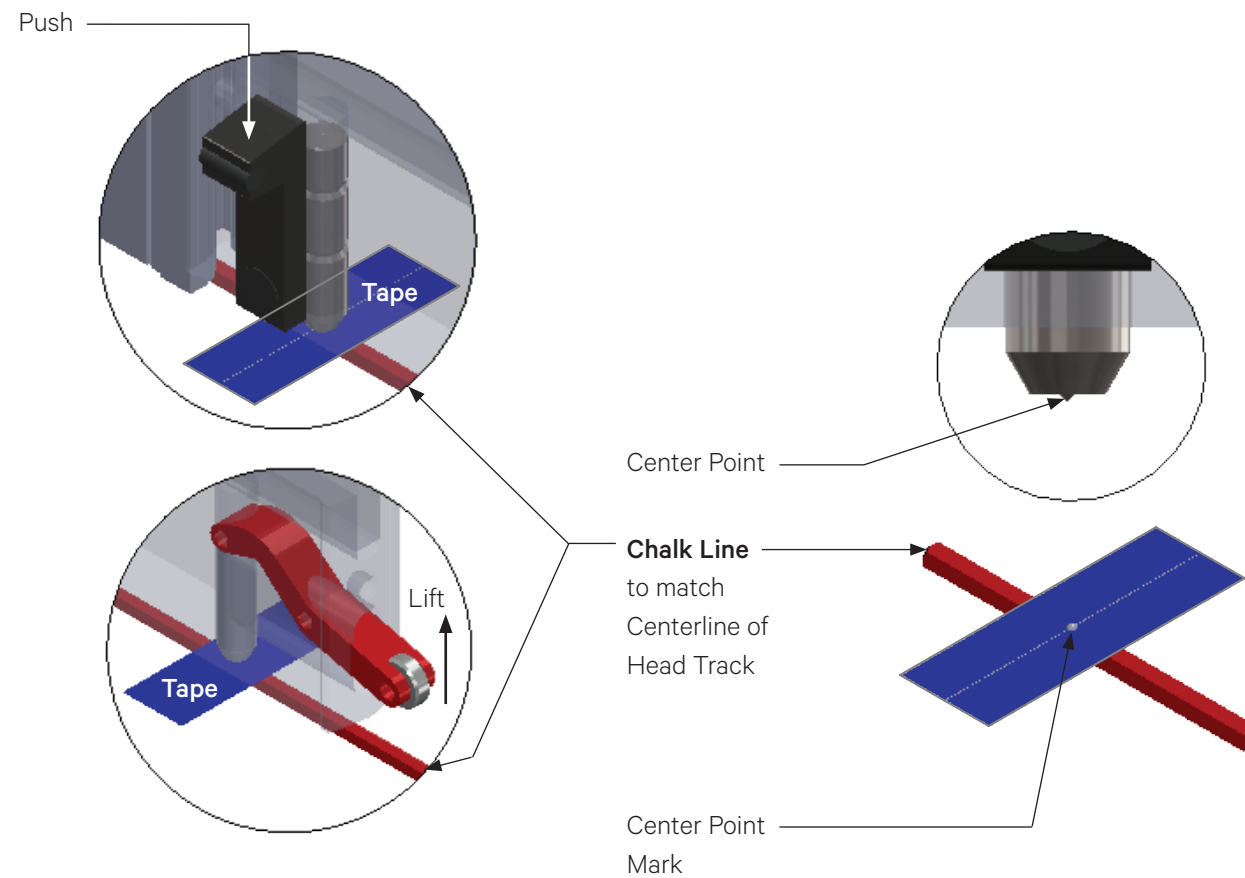
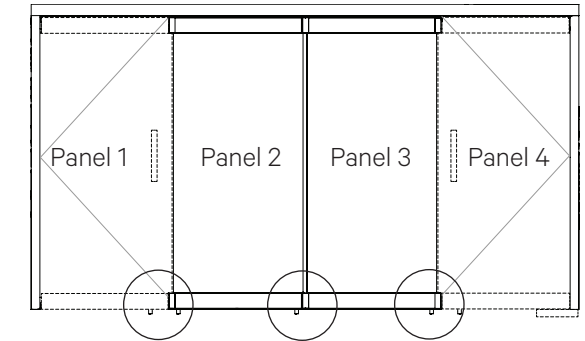
Gap differences may be due to the head track not being absolutely level. A difference of 1/16" (2 mm) or less in the level of the head track between the two edges of a panel can cause a 1/4" (7 mm) shift of the panel from the vertical position, enough for a panel to not close properly.

3 Adjust the gaps if necessary.

1. Adjust the head track by removing or adding shims above the head track as needed.

Floor Socket Installation

FLOOR SOCKET MARKUP

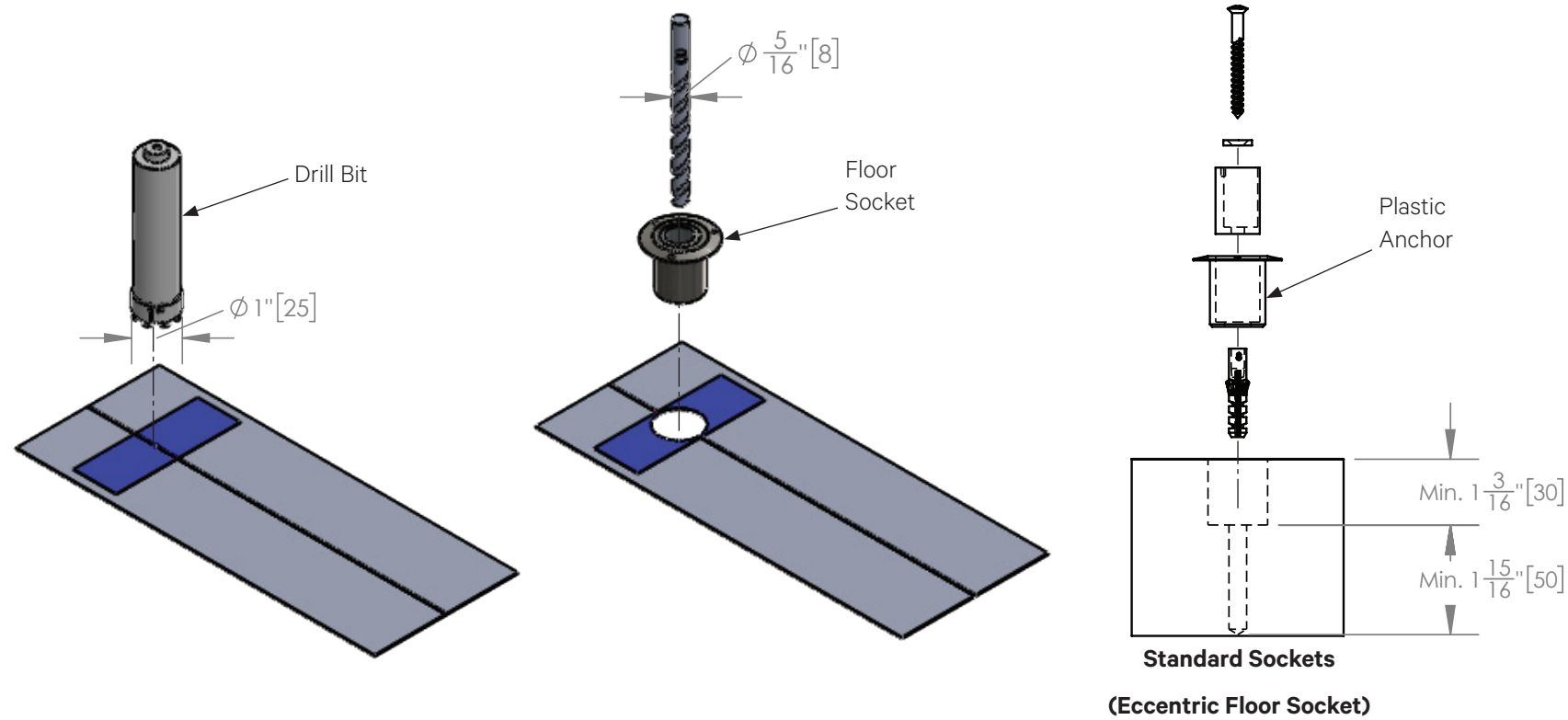
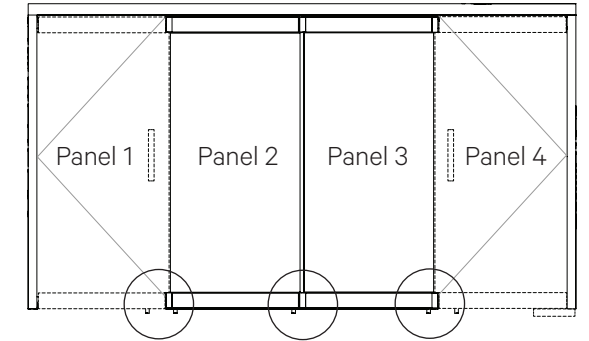


1 Floor socket markup.

All holes for pivot points and floor closers must be made in precise locations in the floor.

1. With a plumb bob or laser, find the centerline of the head track and transfer that mark to the floor on each end of the opening.
 - Mark that centerline on the floor with a chalk line.
2. Close the unit such that the panels are in the correct closed positions.
 - Ensure the panels are straight and the correct 4 mm gap between the end caps of the panels is maintained.
3. Start with the panel furthest away from the parking bay and add five (5) layers of blue masking tape underneath the approximate location of the locking bolts.
4. Slowly and carefully engage the locking bolts on each panel, via the foot activated locks or automatic interlocks, to create a divot in the blue masking tape.
5. Draw a perpendicular line through the divot mark, crossing the chalk line.
 - This divot will be the opposite axis of the chalkline centerline. Where the divot and the chalkline intersect will be the center point to drill the socket hole.

FLOOR SOCKET INSTALLATION



2 Floor socket installation.

1. From the custom product drawings and the locking type on the panels, drill the appropriate size hole for the supplied plastic anchor.
 - If concrete, use a diamond core drill bit with the proper diameter size.
2. Insert the plastic anchor and fasten the socket into place.

ATTENTION: Do not use soft finish flooring materials. 1/8" (3 mm) carpet tiles with a very low tuft and no padding underneath are acceptable.

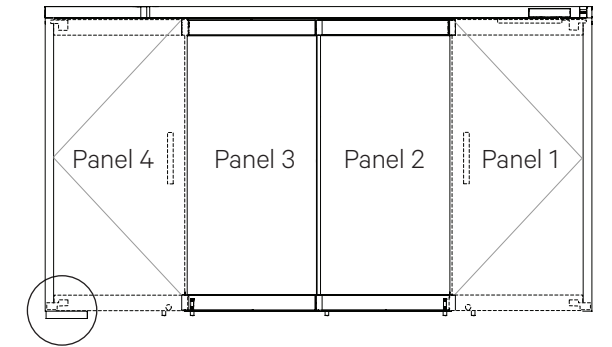
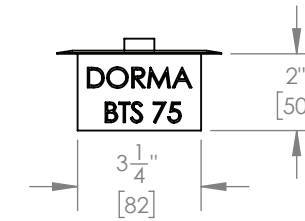
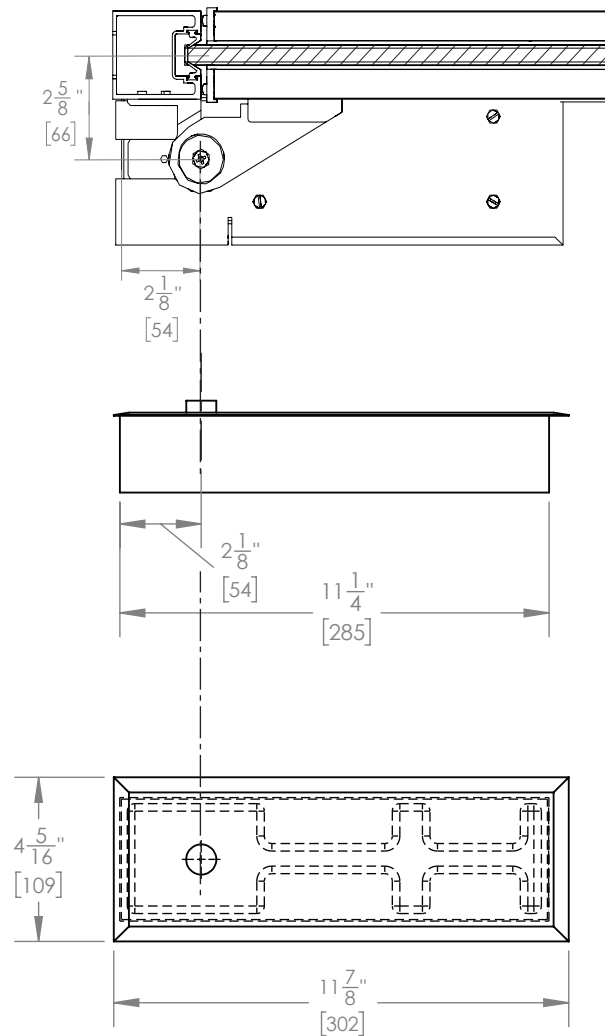
Single Action End Panel with Offset Hinge (Non-Sliding) Installation

OFFSET HINGE WITH FLOOR CLOSER MARKUP



1 Measure offset floor closer location dimensions.

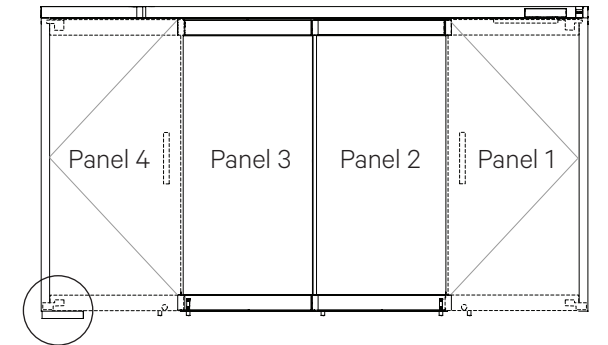
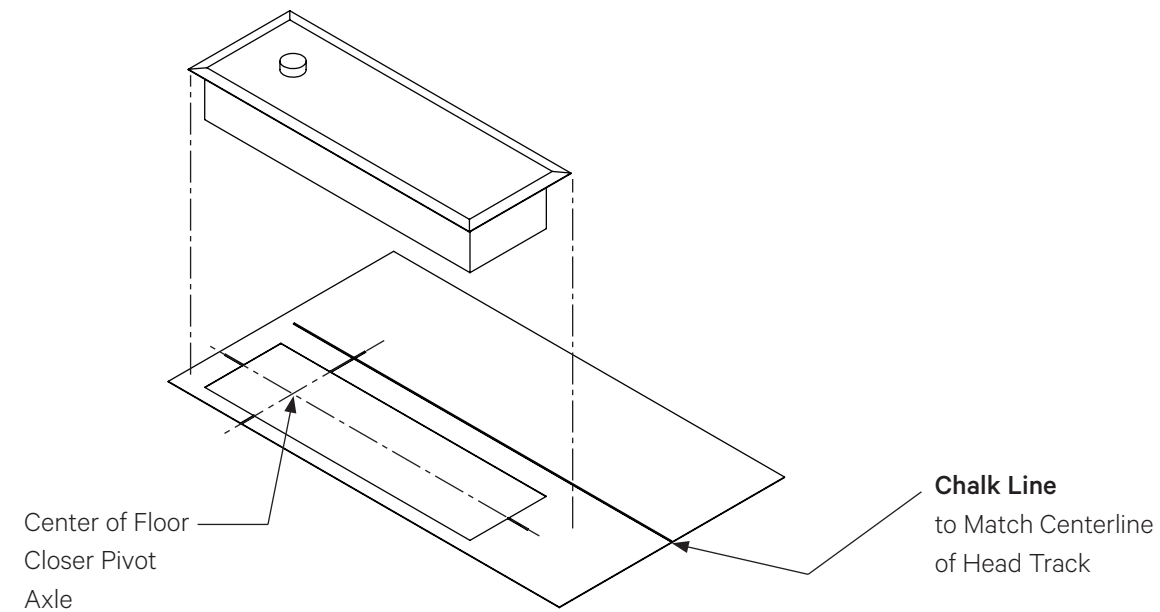
1. Find the center of the floor closer pivot axle via either of the two options below.
 - Find the center point through the center of the bottom hinge attached to the side jamb.
 - OR
 - Measure 2 5/8" (66 mm) dimension for the center of the floor closer pivot axle to the chalk line (centerline of the track). Mark this dimension.
 - This center point is then offset to the edge of the backside of the side jamb by 2" (51 mm).
2. Place blue masking tape on the floor to mark the center point. *Please check custom product drawing for swing direction (inside/outside).*



All images on this page are shown from the interior.

All holes for floor closers must be made in precise locations in the floor.

OFFSET HINGE WITH FLOOR CLOSER INSTALLATION



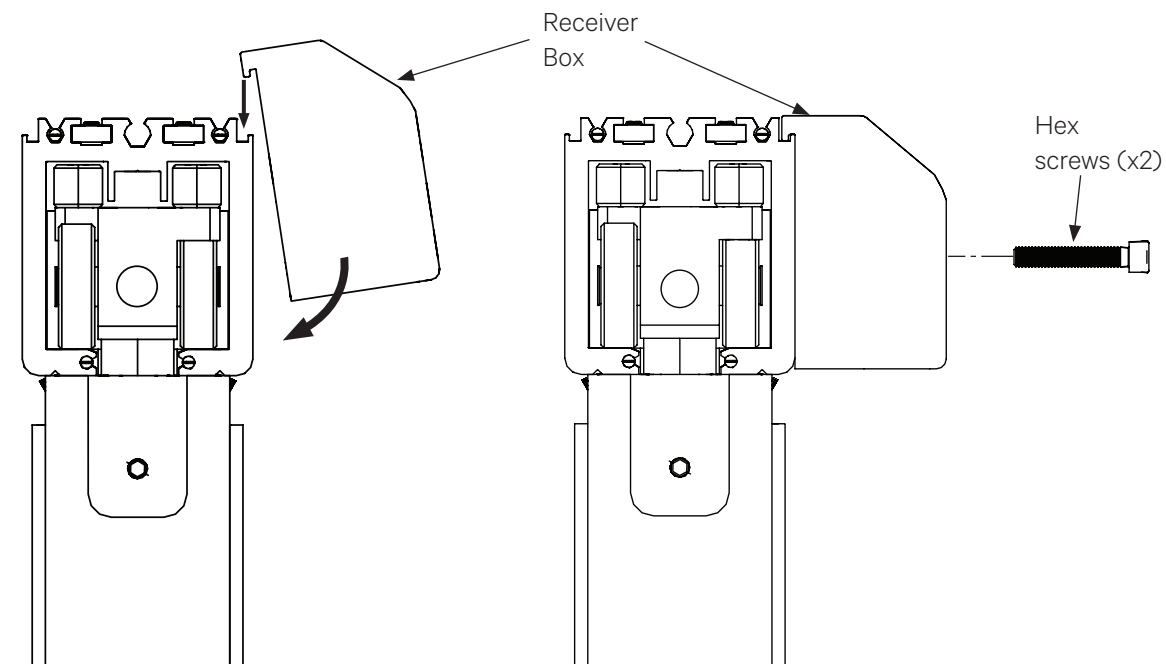
All images on this page are shown from the interior.

2 Install the offset floor closer.

1. Remove the side jamb and do not lose the shim spacing.
2. Remove the bottom hinge from the side jamb for easier access to the floor closer installation.
3. Mark dimensions of the floor closer box on the floor to be cut out.
4. If concrete, cut and chisel out the concrete to recess the floor closer into the floor so the top of the box is at the top of the finished floor.
5. Position the box and temporarily shim in the correct location in relationship to the edge of the wall.
 - Ensure the full underside of the floor closer box rests on the flush and level surface.
 - If necessary, add shims under the floor closer to ensure the top of the box is at the height of the finished floor.
6. Reinstall the side jamb without the bottom hinge.
7. Align the bottom hinge and the floor closer pivot axle, and secure the hinge to the side jamb.
8. Once the correct location is confirmed, temporarily anchor the floor closer.
9. Prior to installation, measure and cut the floor closer cover, if necessary, to ensure it properly fits.
10. For any needed adjustment, refer to the floor closer installation manual.

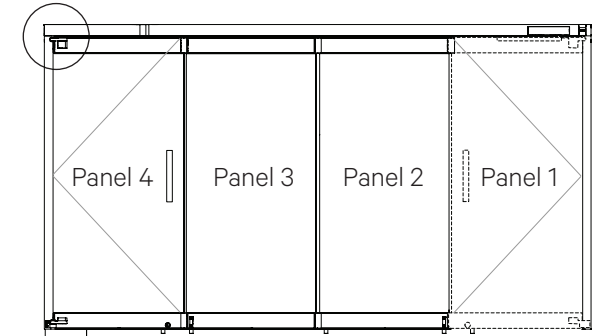
RECEIVER BOX INSTALLATION

Some components are hidden for easier viewing of receiver box installation.



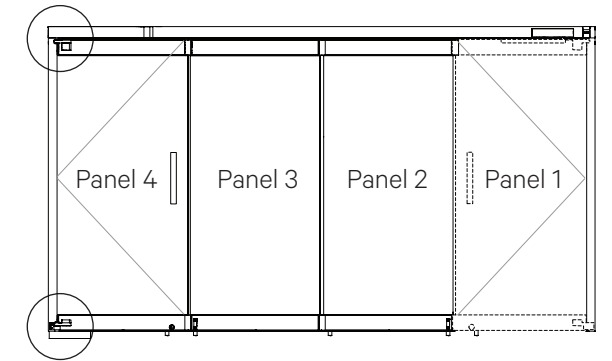
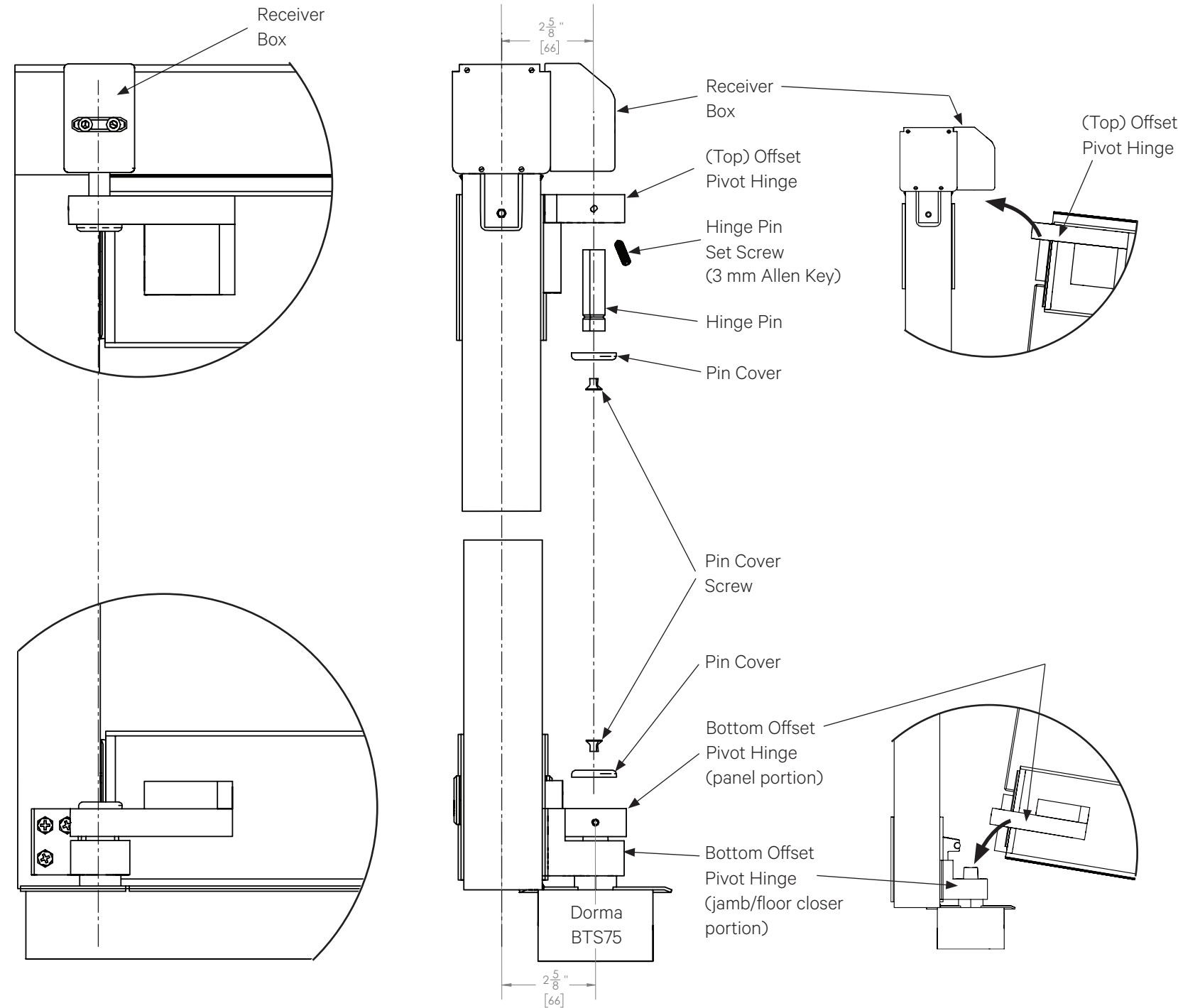
1 Install the receiver box.

1. The receiver box is shipped loose with two included screws, in the accessory box.
2. Set the receiver box on the head track at a slight angle, from the top down.
3. Loosely secure it to the head track with the included two hex screws, through the slotted hole on the front of the receiver box.



All images on this page are shown from the interior.

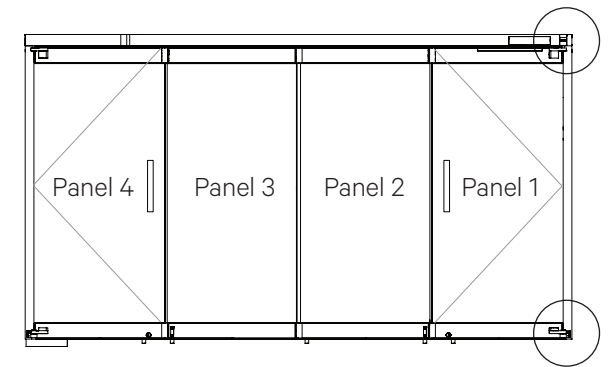
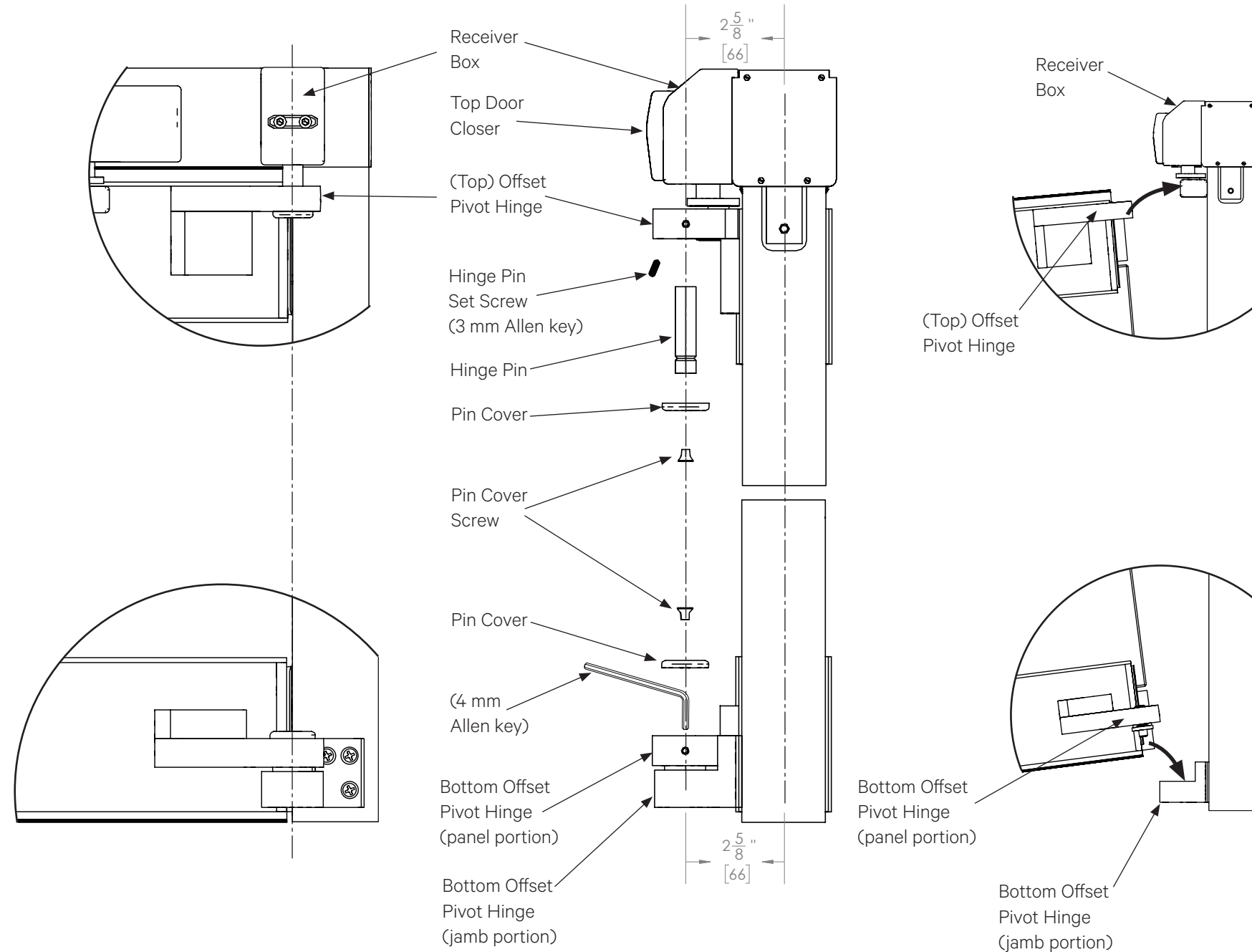
INSTALL SINGLE ACTION END PANEL WITH OFFSET HINGE WITH FLOOR CLOSER (NON-SLIDING)



All images on this page are shown from the interior.

- 1** Set bottom and top offset pivot points in the below order.
 1. Offset pivot hinges are pre-installed on swing panel.
 2. Offset coordinating bottom pivot hinge is pre-installed on the side jamb.
 3. Set the panel into the opening at a 90° angle to the opening.
 - First: align the center of the bottom hinge with axle (panel portion) onto the center of the bottom hinge (jamb portion/floor closer portion), and lower it down.
 - Second: tip the panel up toward the top hinge.
 4. Use a plumb bob, laser, or other similar precise measuring equipment to align the center of the bottom pivot hinge point with the center of the top receiver box.
 5. Once aligned, connect the top hinge to the receiver box by sliding the hinge pin in from underneath.
 6. Secure the top hinge pin and floor closer pivot axle with the set screws from the side and secure with pin covers and included screws.
 - **Prior to fully tightening all screws, ensure all dimensions are set correctly and the panel can be opened and closed with the right clearance.**
 7. Check if the panel is plumb and level.
 8. Once all installation and adjustments have been made, including the floor socket for the locking point of the pivot panel, anchor the floor closer with proper fasteners as needed.
 - If needed, use other adhesives to secure the floor closer in place.

INSTALL SINGLE ACTION END PANEL WITH OFFSET BOTTOM HINGE AND TOP DOOR CLOSER (NON-SLIDING)



All images on this page are shown from the interior.

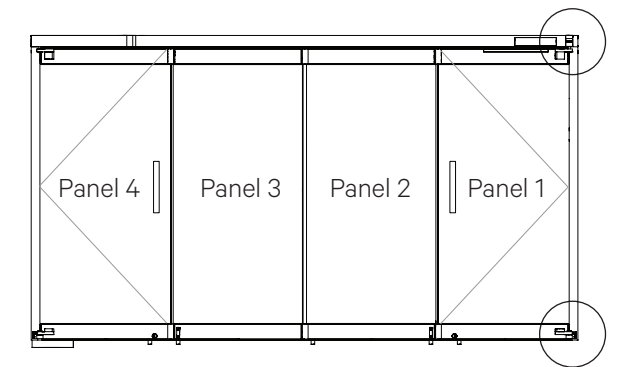
1 Set bottom and top offset pivot points in the below order.

1. Offset pivot hinges are pre-installed on swing panel.
2. Offset coordinating bottom pivot hinge is pre-installed on the side jamb.
3. Set the panel into the opening at a 90° angle to the opening.
 - First: align the center of the bottom hinge with axle (panel portion) onto the center of the bottom hinge (jamb portion), and lower it down.
 - Second: tip the panel up toward the top hinge.
4. Use a plumb bob, laser, or other similar precise measuring equipment to align the center of the bottom pivot hinge point with the center of the top receiver box.
5. Once aligned, connect the top hinge to the receiver box by sliding the hinge pin in from underneath.
6. Secure the top hinge and bottom pivot axle with the set screws from the side and secure with pin covers and included screws.
 - **Prior to fully tightening all screws, ensure all dimensions are set correctly and the panel can be opened and closed with the right clearance.**
7. Check if the panel is plumb and level.
8. Once all installation and adjustments have been made, including the floor socket for the locking point of the pivot panel, anchor the floor closer with proper fasteners as needed.
 - If needed, use other adhesives to secure the floor closer in place.

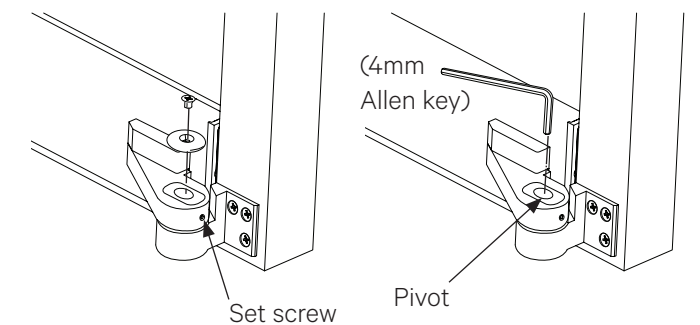
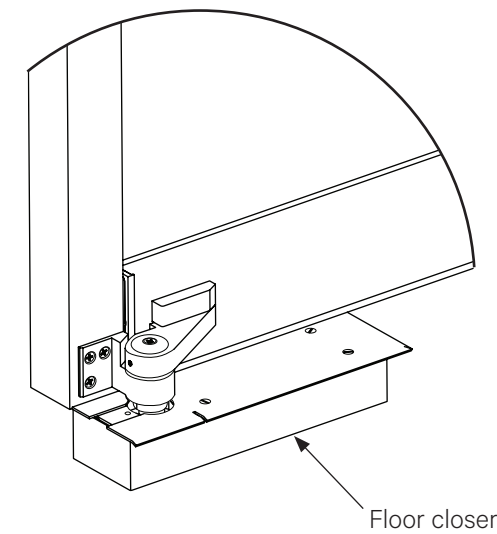
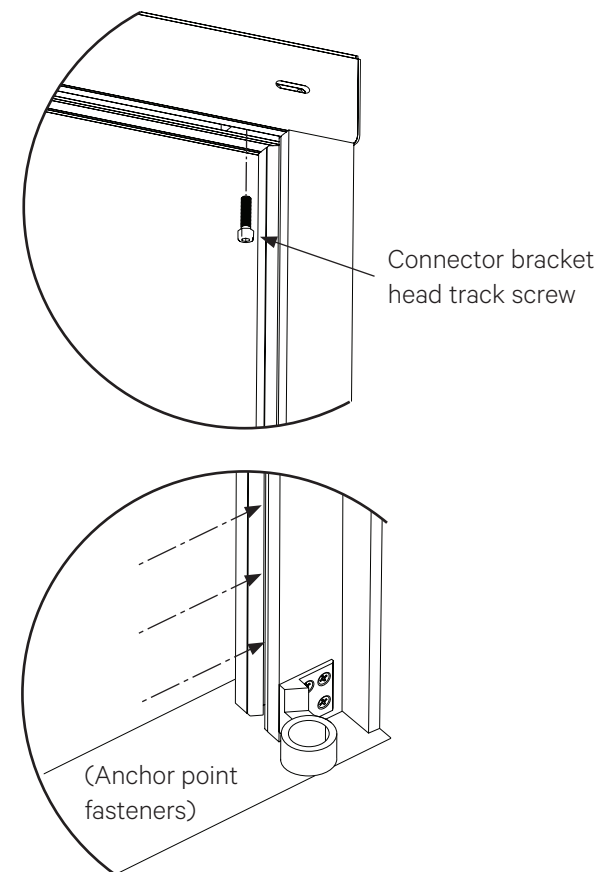
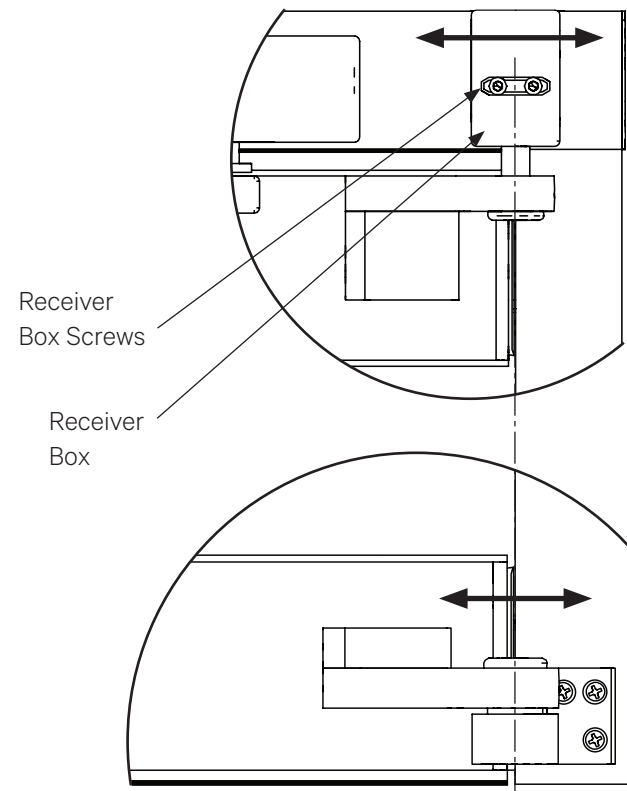
SIDE JAMB ADJUSTMENT

The connector bracket, inside the top track, can be adjusted +/- 3/16" (4 mm).

Receiver box and door panel hidden for easier viewing of connector bracket screw and anchor point fasteners.



All images on this page are shown from the interior.



1 Adjust panel width (at the top).

1. Loosen the two hex screws of the receiver box.
2. Loosen the hex screw on the connector bracket inside the head track.
3. Slide the receiver box left or right to adjust the unit width.
4. Once the appropriate location is found, tighten (FIRST) the connector bracket screws and (THEN) the receiver box screws.

2 Adjust panel width (at the bottom with top door closer only).

1. Loosen fasteners of the anchor points.
2. Slide the side jamb left or right to adjust the unit width.
3. Once the appropriate location is found, tighten the fasteners of the anchor points.

3 Adjust the door height.

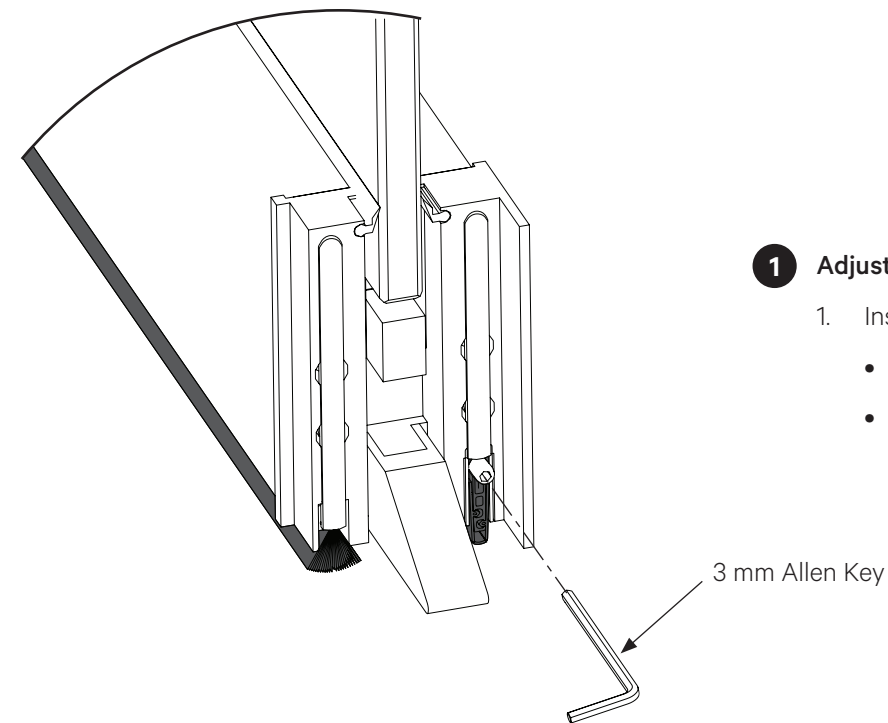
Offset hinge with floor closer:

1. Use the screws inside the cement box surrounding the body of the floor closer.
2. See manufacturer's instructions for more information.
3. An additional 5 mm axle to replace the standard supplied axle is added to the accessory box.

Offset bottom hinge and top door closer:

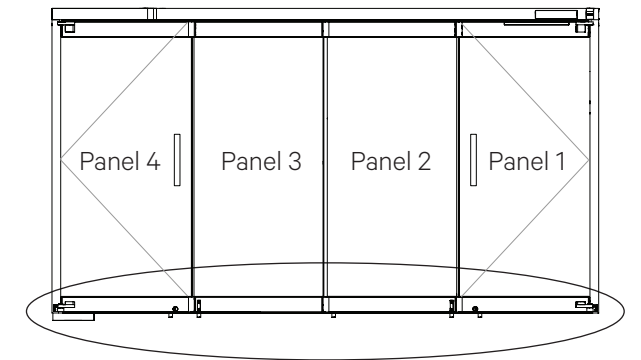
1. Loosen the set screw on the side of the offset bottom hinge with an Allen key.
2. Using a 4 mm Allen key, rotate the screw on the pivot to adjust the door height accordingly. (See Panel Height Adjustment section for additional details on this adjustment.)
3. Tighten the set screw using an Allen key.

Bottom Compression Seal Adjustment



1 Adjust the height of the bottom compression seal.

1. Insert 3 mm Allen key into the end of the rail.
 - **To lower pressure on the seal** - turn Allen key clockwise.
 - **To increase pressure on the seal** - turn the Allen key counter clockwise.

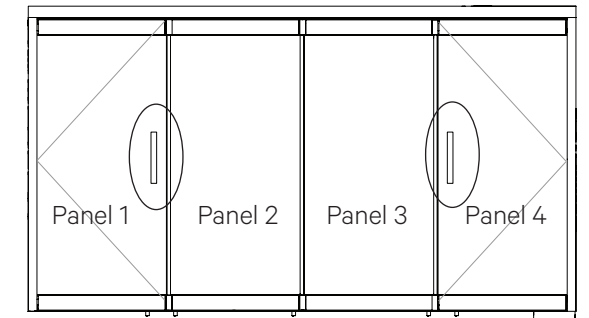
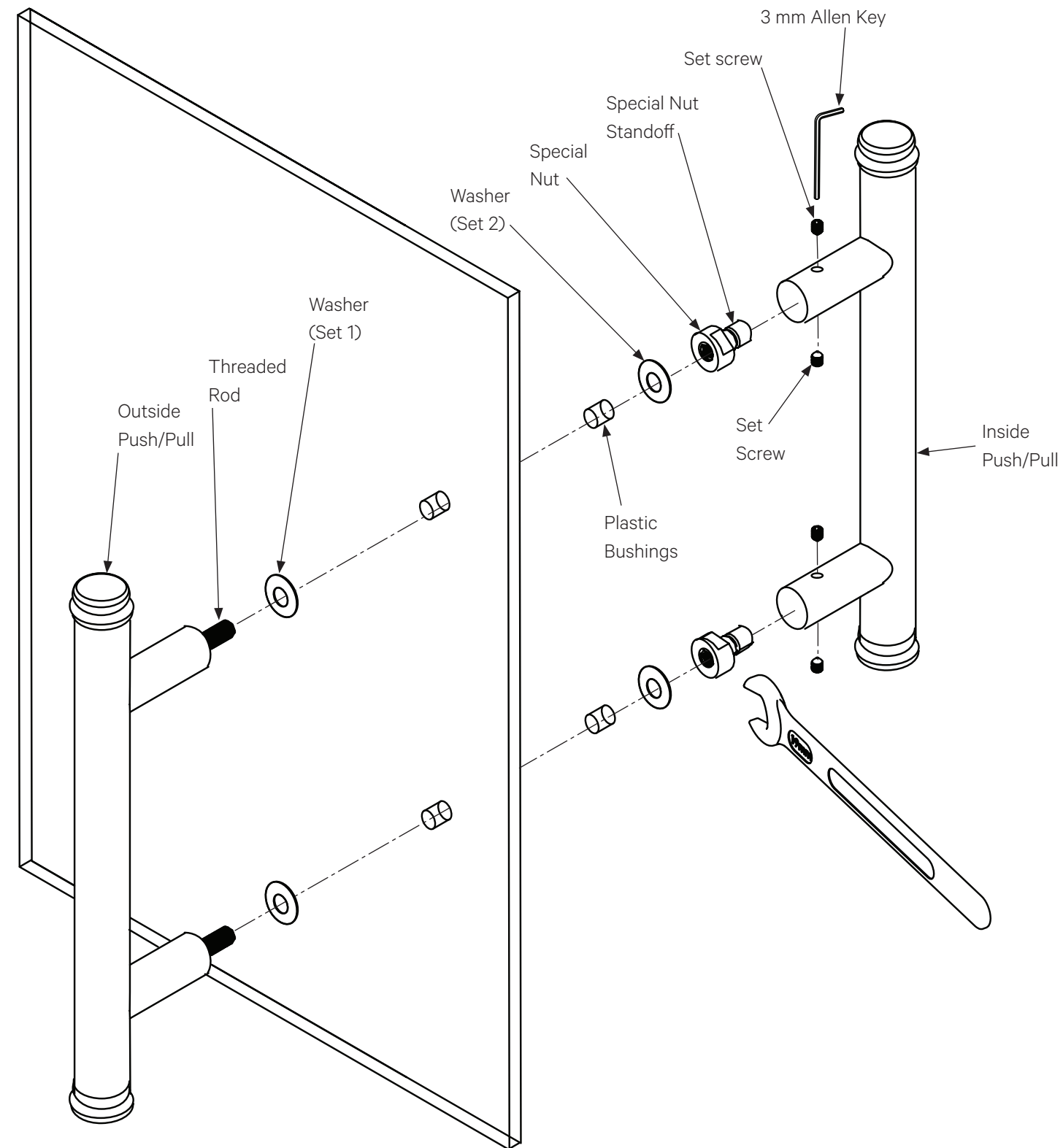


All images on this page are shown from the interior.

Push/Pull Handle Installation

1 Install push/pull handle onto door.

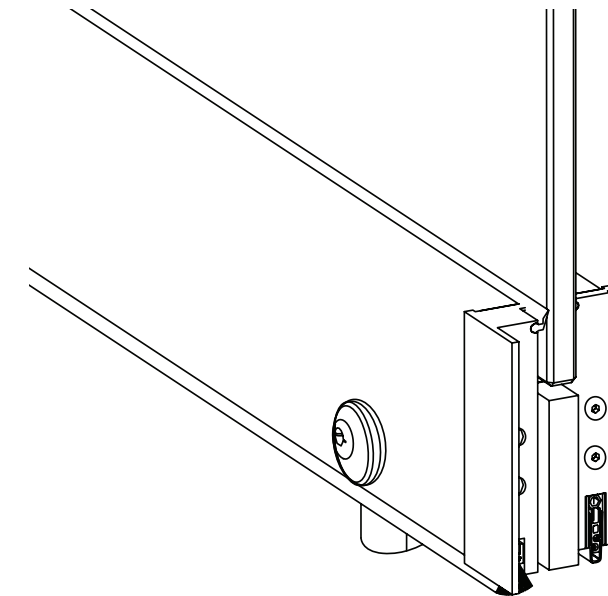
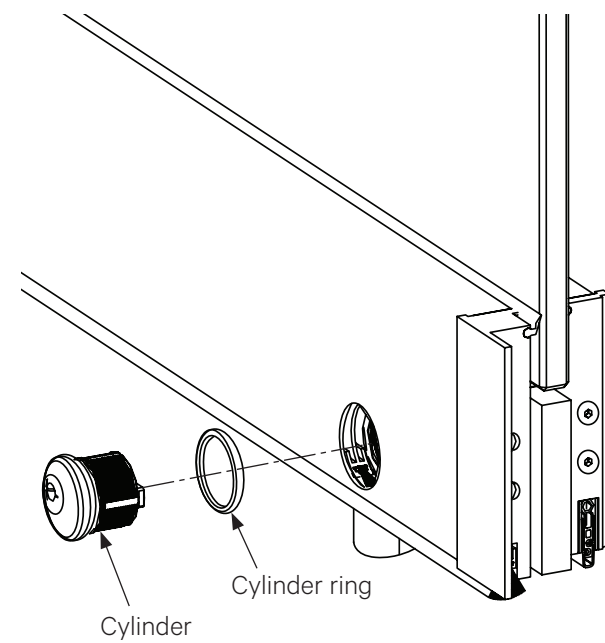
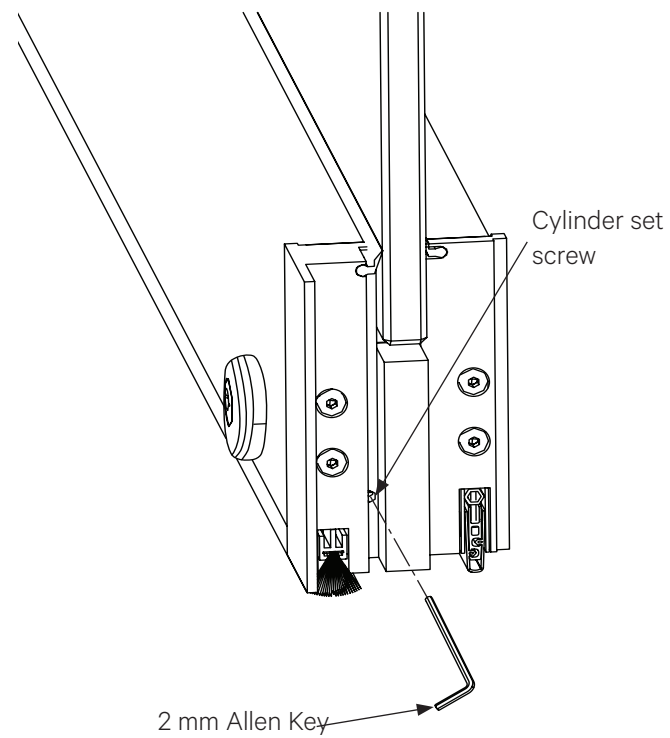
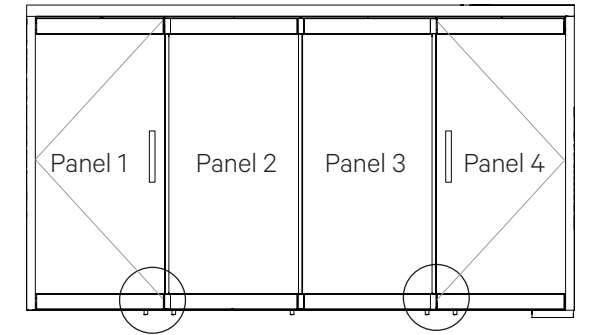
1. Place one set of washers onto the threaded rods of the outside push/pull.
2. Place the outside push/pull through the glass. Hold in place.
3. Slide plastic bushings through the holes, of the glass, and over the threaded rods.
4. Slide second set of washers onto the threaded rods.
5. Thread the special nuts onto the threaded rods using a 19 mm open end wrench.
6. Place the inside push/pull onto the threaded rods.
7. Secure handle in place with the included set screws (using an Allen key) through the top and bottom of each standoff.



Note: Important to add plastic bushing in hole of glass to avoid metal to glass contact.

Mortise Cylinder Installation

Supplied: Mortise locking mechanisms are supplied with temporary 1 1/8" (29 mm) silver 5 pin mortise cylinders with Yale cam key/key.

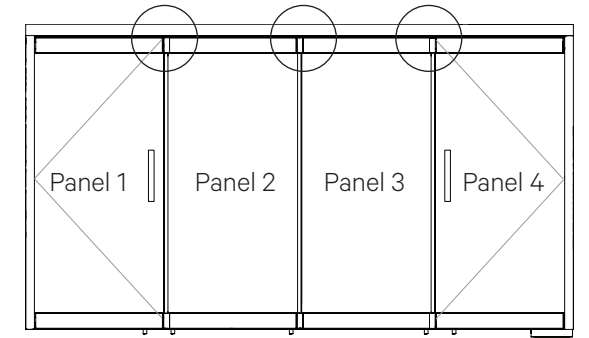
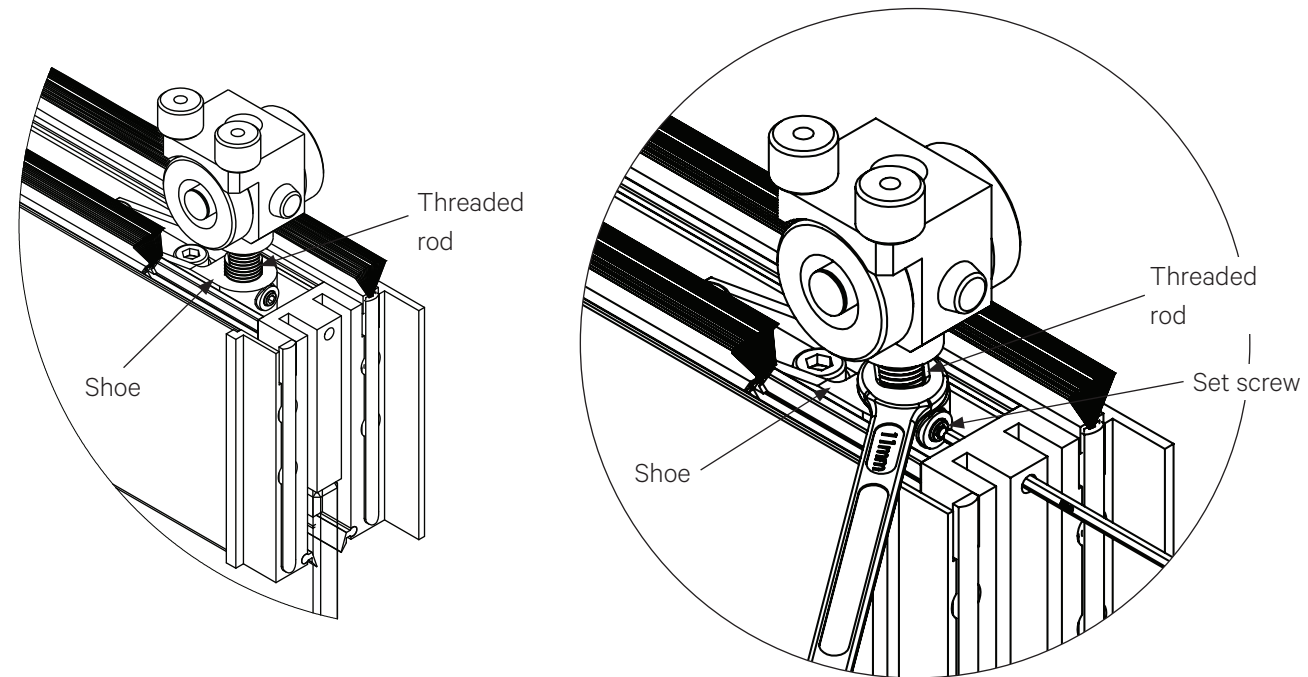


1 Install mortise cylinder into rail.

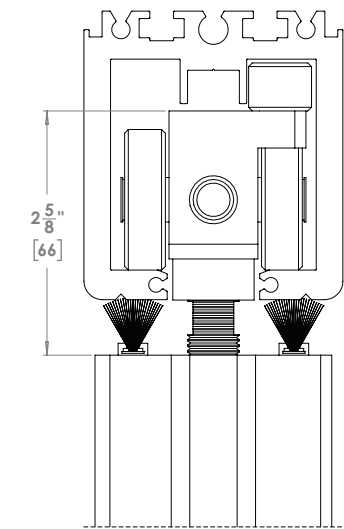
1. Loosen cylinder set screw.
2. Slide the ring over the interior cylinder.
3. Insert the key (for threading assistance) and thread the cylinder into the rail.
 - Do not over tighten the cylinder, as this can break the key.

4. Once fully tightened, ensure the key can easily engage/disengage the locking bolt.
5. Ensure the face of the cylinder housing is flush with the face of the ring.
6. Ensure the cylinder is fully tightened before re-securing the cylinder screw.
7. Fully tighten the cylinder set screw using an Allen key.

Panel Height Adjustment



IMPORTANT: Ensure the head track is perfectly level.

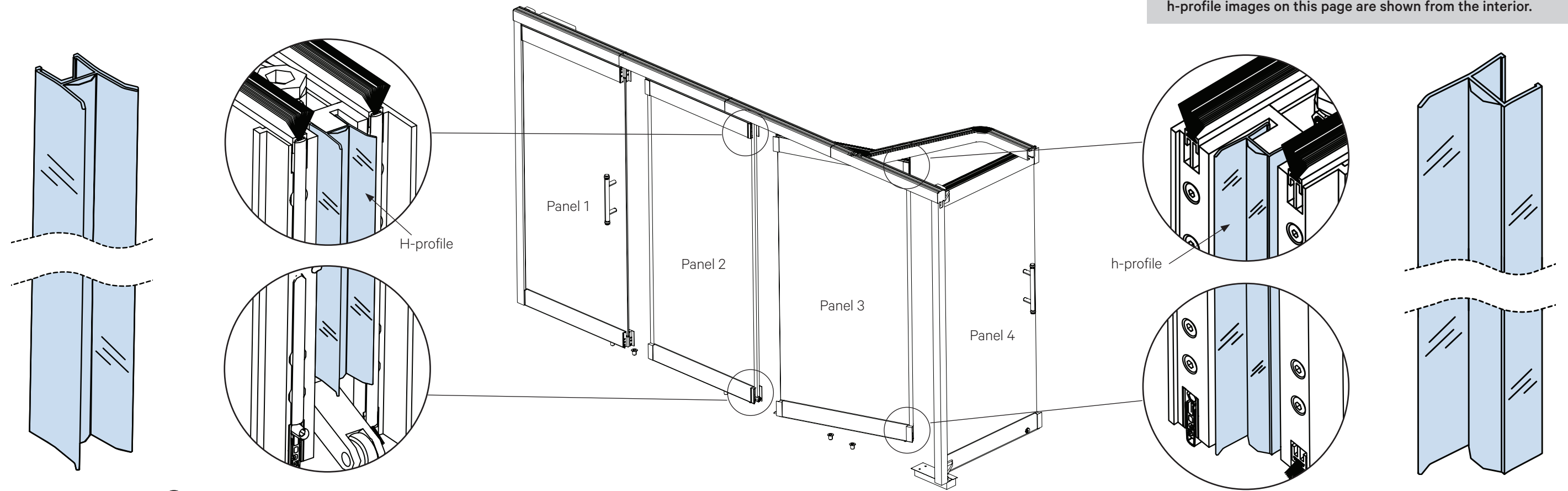


- 1 Adjust panel height (via the rollers).**
 1. If all rollers are installed at the correct height, panel height adjustments are not recommended.
 - If adjustments are needed, try to make adjustments to the top track instead.
 2. If you have to adjust the roller, **loosen the set screw.**
 3. Place 11 mm open end wrench on the flat part of the bolt that is located near the bottom of the roller. Adjust the with the wrench.
 - Counter-clockwise rotation = less floor clearance
 - Clockwise rotation = more floor clearance
 4. After final adjustments, securely tighten the set screw to keep the threaded bolt/axle from turning and reinstall the end cap.
 - Do not overtighten the set screw to avoid damaging the fine threads of the axle.

H-and h-Profile Installation

Refer to Product Drawings for specific placement of H- and h-profiles.

h-profile images on this page are shown from the interior.



1 Install H-profile onto sliding panel.

For use on:

- *sliding panels meeting sliding panels only.*
1. Slide the panels apart for easier access.
 2. With cutters or a saw, evenly cut the H-profile.
 3. Press H-profile along one side of each sliding panel where shown in product drawing.

DO NOT use a hammer or similar device to tap into place.

1 Install h-profile onto swing panel.

For use on:

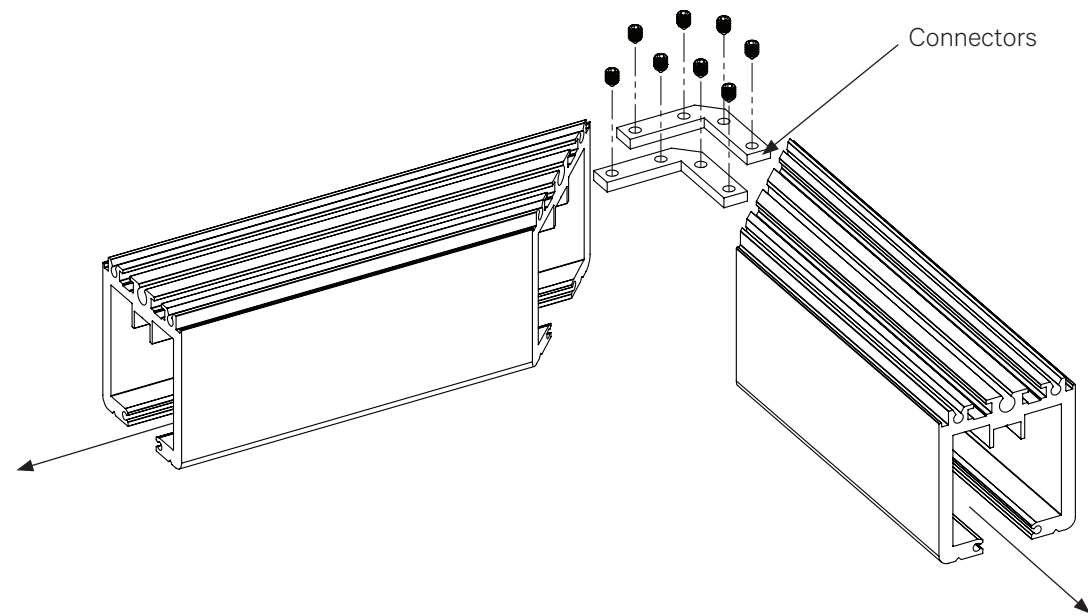
- *swing panel that is next to a sliding panel*
1. Open swing panel for easier access from the side.
 2. With cutters or a saw, evenly cut the h-profile.
 3. Press h-profile along one side of shown in product drawing.

DO NOT use a hammer or similar device to tap into place.

90° Head Track Segment Installation (optional)

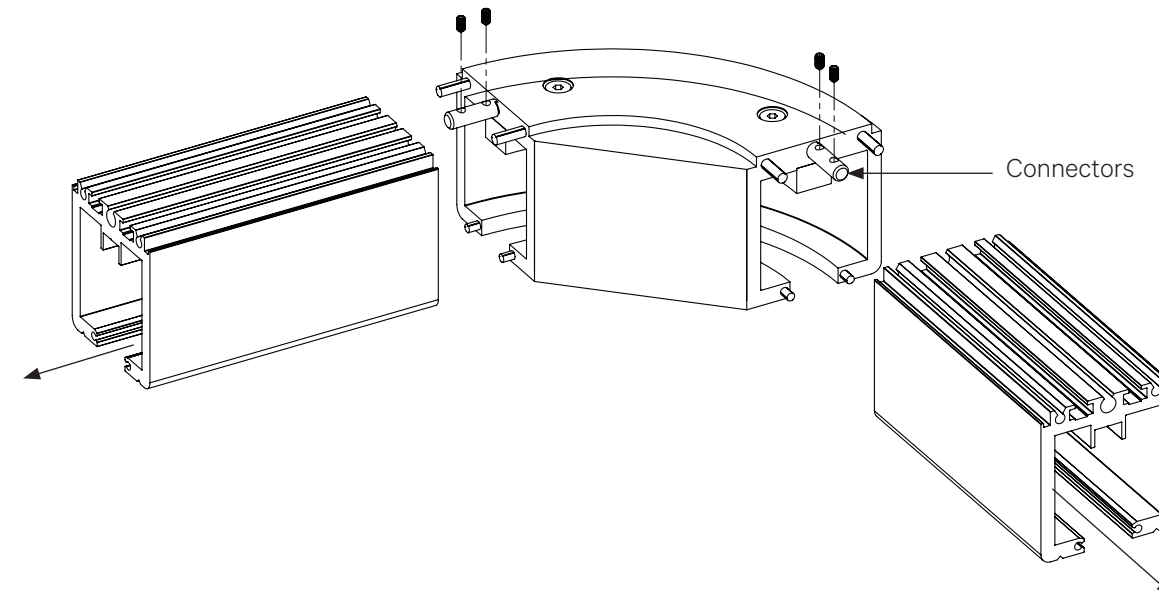
OPTION 1:

Sliding panels stack away from 90° corner,
not passing with rollers through corner.



OPTION 2:

Sliding panels stack to one side,
passing through radiused 90° corner section.



Install 90° Open Corner.

(Corner post is pre-installed on one sliding panel.)

1. Attach as many of the corner and regular head track pieces together that could be supported and installed as one piece.
 - Secure with the connectors and set screws provided.
2. Ensure that the correct angles between segments are maintained and that the transitions between the track segments are perfectly aligned and smooth.

To install the 135° Segmented Corner, T-intersection, or 4-Way Stop applications, please see product drawings for additional details.

NanaWall Limited Warranty

NanaWall is pleased to provide the following warranty to the owner of NanaWall products, including the initial purchaser and all subsequent owners ("Owner"), subject to all terms and conditions stated herein. This Warranty supersedes all previous product warranties and is the exclusive statement of all commitments and rights of NanaWall with respect to its products sold on or after May 1, 2023, to be installed in the United States (excluding territories) or Canada.

NanaWall shall have no obligation to respond under this Warranty until receipt of proper notice of a claim and an opportunity to respond. Upon notice and confirmation by NanaWall of a condition covered under this Warranty, NanaWall will respond in good faith and in a timely manner as follows:

TEN YEAR COVERAGE

For ten (10) years from the date of delivery by NanaWall ("Delivery"), NanaWall will respond as follows:

Insulated Glass. For an insulated glass unit with a permanent material obstruction of vision due to a premature failure of the glass seal, NanaWall will ship a replacement glass unit or panel.

Exception: insulated glass units for cero® are covered for five (5) years from Delivery.

Powder Coat or Baked-on Fluoropolymer Surface Finish of Aluminum Profiles: For powder coat or baked-on fluoropolymer surface finish not functioning as an Effective Surface Material ("ESM"), NanaWall will, at its option, (1)

assume reasonable costs to restore the finish using standard commercial refinishing techniques or (2) ship replacement parts. Uneven fading is not a covered condition due to environmental variables.

Exception: Products installed within two (2) miles of any coastal area or body of salt water or other harsh or corrosive environments or chemicals ("Harsh Environments") are covered for one (1) year from Delivery, provided that the instructions in Specific Suggested Maintenance For Coastal Salt Water and Other Extreme Environments included in the Owner's Manual

for each Product is available for review on NanaWall's website, is properly implemented and documented.

**An ESM is a finish without (1) substantial cracking, chipping, or peeling due to the deterioration of the finish (exclusive of mechanical damage); (2) chalking in excess of a numerical rating of 8 as per ASTM D 659; or (3) fading or color changes in excess of 5 NBS units as per ASTM D 2244.*

Rollers. For a roller with material or workmanship issues that significantly impair proper operation and function, NanaWall will ship a replacement roller.

Wood and Other Remaining Components (for product installed by an independent NanaWall Certified Installer or Approved Installer*). For all remaining components of NanaWall products not otherwise addressed herein with a material or workmanship issue that substantially impairs operation and function, NanaWall will, at its option, (1) ship a replacement part or product or (2) ship any replacement part or replacement product in the same state for fitting and/ or finishing as originally supplied by NanaWall. This includes wood frame components, hinges, handles, locking mechanisms, tracks, beads, and weather-stripping.

FIVE YEAR COVERAGE

For five (5) years from Delivery, NanaWall will respond as follows:

Laminated Glass. For a laminated glass unit with permanent material obstruction of vision due to premature delamination, NanaWall will ship a replacement glass unit or panel.

Wood and Other Remaining Components (for product NOT installed by an independent NanaWall Certified Installer or Approved Installer*). For all remaining components of NanaWall products not otherwise addressed herein with a material or workmanship issue that substantially impairs operation and function, NanaWall will ship a replacement part

or product without charge in the same stage of fitting and/ or finishing as originally supplied by NanaWall. This includes wood frame components, hinges, handles, locking mechanisms, tracks, and weather-stripping.

THREE YEAR COVERAGE

For three (3) years from Delivery, NanaWall will respond as follows:

Anodized Surface Finish of Aluminum Profiles. For anodized surface finish of aluminum profile not functioning as an ESM,* NanaWall will, at its option, (1) assume reasonable costs to restore the finish on a non-compliant (non-ESM) material using standard commercial refinishing techniques or (2) ship replacement parts.

Exception: Products installed in Harsh Environments are not covered.

ONE YEAR COVERAGE

For one (1) year from Delivery, NanaWall will respond as follows:

Screens. For a screen part (excluding screen mesh) with a material or workmanship issue that substantially impairs the function of the screen, NanaWall will, at its option, (1) ship a replacement screen or (2) upon return by Owner, repair the screen without charge.

ADDITIONAL SERVICE INFORMATION

This Warranty does not cover labor costs to remove existing parts or products, install a replacement part or product, costs to finish wood products, or the cost to repair or replace surrounding substrates, trim, or other work. Nor does it cover costs incurred due to delays or other construction costs, costs for late or damaged delivery, loss of revenue, loss of time, liquidated damages, inconvenience, or loss of use of the product or any parts or components. NanaWall reserves the right to determine whether or not a covered condition exists.

If the claim is not covered under this Warranty, NanaWall may charge and collect a fee for on-site product inspections.

Any replacement part or product will be shipped to the location of original product delivery by NanaWall. Replacement products will be the closest equivalent current product and may not be an exact match to the original. Any replacement parts or any repairs are warranted for the remainder of the original limited warranty period. If providing a replacement part or product is not commercially practicable, NanaWall may elect to refund the purchase price of the affected product in full satisfaction of its obligations.

Wood. Wood components must be properly finished on all sides promptly after receipt of unit, before installation, and prior to exposure to weather. Repair or replacement of a warped wood panel or frame can be delayed by up to 12 months from date of claim to allow the wood component to adjust to local environmental conditions.

Glass. Unloading the replacement glass/panel from the delivery truck is the responsibility of the Owner. Due to the weight of the product, appropriate manpower and/or equipment will be needed to unload and move the glass/panel to the location for replacement. Depending on the size of the replacement part and interior building dimensions, it may not be possible to transport the glass/panel through the interior of the building. NanaWall is not responsible for any costs associated with moving the replacement glass/panel at the delivery location.

**Whether an installer is a NanaWall Certified Installer or Approved Installer is determined by the installer's status as of the date of delivery. NanaWall maintains information regarding the installers designated as Certified Installers or Approved Installers.*

NanaWall Limited Warranty

NOTICE PROCESS

Written notice of any claim under this Warranty with supporting documents such as photos or videos must be given to NanaWall Systems, Inc. via email to service@nanawall.com or via mail to 100 Meadowcreek Drive, Corte Madera, CA 94925, promptly when discovered. A condition will not be covered under this Warranty if there is a failure to notify NanaWall in writing (1) within 7 days of receipt of the product for any defect which an ordinary inspection would reveal, (2) within a reasonable time during the warranty period after an impairment in operation and use in manifest or a hidden defect is discovered, or (3) for claims first made after expiration of the coverage period outlined in this Warranty.

DISCLAIMERS & LIMITATIONS

Any responsibility of NanaWall is contingent upon Owner fulfilling its notice obligations as stated in this Warranty. The Owner shall have no standing to assert a claim absent timely notice to NanaWall and an opportunity to cure. The remedies prescribed in this Warranty are the exclusive and sole remedies available to the Owner who hereby waives any claim not encompassed herein. This exclusivity and waiver survive expiration of warranty coverages herein. In no event shall the liability of NanaWall or any seller of NanaWall product exceed the price paid for the product.

This Warranty is the sole and exclusive warranty for NanaWall products. **ALL OTHER WARRANTIES, EXPRESS OR IMPLIED, INCLUDING ANY WARRANTY OF MERCHANTABILITY OR FITNESS FOR A PARTICULAR PURPOSE, ARE DISCLAIMED.** NanaWall SHALL NOT BE LIABLE FOR CONSEQUENTIAL OR INCIDENTAL DAMAGES. Some state and federal laws may not allow disclaimers or of implied warranties or exclusions of

incidental or consequential damages, so these limitations or exclusions may not apply to you. Where federal law prohibits disclaimer of implied warranties, the duration of any implied warranty is limited to the duration of the relevant coverage period, if less than the statutory limitation period. This Warranty gives you specific legal rights, and you may also have other rights which vary from state to state.

This Warranty may only be modified by a writing signed by an officer of NanaWall. Any action taken by NanaWall does not create a new warranty or extend the duration of the original product warranty. A failure by NanaWall to enforce a warranty provision shall not constitute a waiver barring subsequent enforcement.

EXCLUDED CONDITIONS

This Warranty does not cover the following conditions, or any damage or issues caused in whole or part by the following:

- Improper product selection, application, storage, handling, modification, or waterproofing; Movement of surrounding substrates, including deflection of the header of more than 1/4", or any other stresses on product; Improper installation, flashing, or integration into the structure; Failure to provide an adequate overhang; Failure to prevent the effects of sheeting rain or water; Failure to install proper weep holes in sill where needed, and failure to properly drain water exiting weep holes in the sill; Failure to meet code or specification requirements.
- Finishing by anyone other than NanaWall, including, but not limited to, not properly finishing all sides of wood products promptly after receipt of unit, before installation, and before exposure to weather, finishing exterior wood in dark colors, or not refinishing periodically; Discoloration of finish; Failure to immediately repair any breaches such as scratches, chips, or abrasions in any finish or aluminum profile.

- Condensation, frost, or mold caused by high interior relative humidity; Installation near swimming pools, saunas, hot tubs or other high humidity environments or sources of chlorine; Harsh chemicals such as road salt, solvents, acid, brick or mortar wash, or cleaning chemicals; Corrosion, oxidation, discoloration or tarnish on product installed in Harsh Environments.
- Normal weathering, wear and tear; Failure to follow the NanaWall operation and maintenance instructions; Failure to operate the product for more than one month; Failure to clean and maintain aluminum surfaces in accordance with AAMA 609 and 610 or not maintaining adequate cleaning records.
- Imperfections in glass that do not affect the product's structural integrity or obscure vision and cannot be detected from within 10 feet as per the ASTM C 1036; Accidental or spontaneous glass breakage; Glass breakage due to thermal or other stresses, or glass with film or other coatings applied to the surface; Industry accepted bow, warm or distortion in glass and minor variations in glass color; Glass not installation as per NanaWall's instructions.
- Variations in wood grain or color; Warp within the allowable warp tolerance for wood panels per ANSI/WDMA I.S. 6-A-01; Warp that does not affect the normal functioning of the Product; Warpage on wood panels caused by leaving panels in the open position exposed to the elements or not engaging the locking points properly when in the closed position; Resin or sap bleeding from wood panels.
- Panel shrinkage or expansion caused by change in weather; Expansion or bowing of aluminum units caused by exposure to sunlight or caused by temperature difference between interior and exterior panel surfaces.
- Acts of God, falling objects, fire, accidents, external forces, extreme weather events, or other conditions beyond

NanaWall's control.

- Gas fill or retention levels in insulated glass units.
- Field testing of Product; Performance of the Product in conformance to any published NanaWall testing results (e.g. air infiltration, water infiltration, structural loading, thermal and sound). Published test results measure the laboratory performance of a single sample of the product of a certain size, sill and configuration that may not be applicable to the Product being field tested. Performance during testing may vary depending upon handling, installation, use, maintenance, and time after installation. Field testing must be in compliance with AAMA 502, including water penetration testing at 2/3 of the pressure of applicable published test results.
- Products or components not supplied by NanaWall; Products that have not been paid for in full; Products ordered in larger sizes or special configurations beyond NanaWall's published specifications; Product with glass that is heavier than NanaWall specifications. Product that has been modified or altered in any manner.

NanaWall Warranty Registration

NanaWall Warranty Registration

Must be filled out and returned to Nana Wall Systems, Inc., 100 Meadowcreek Drive, Corte Madera, CA 94925 within 30 days from date of purchase of the NanaWall in order for the limited warranty to become effective.

NANAWALL ORDER # _____ **PROJECT NAME** _____

Date of Purchase _____ Purchaser Name _____

PROPERTY OWNER

Name _____ Address _____

Telephone _____ E-mail _____

Project Address (if different from above) _____

INSTALLATION

Installer Name _____ Address _____

Telephone _____ E-mail _____

Type of project new residential restaurant shopping mall
 residential remodel office building other _____

Architect Name _____ Address _____

1. Is the installation complete? yes If yes, date completed _____

no If no, date scheduled _____

2. Have you been shown how to yes Is operation satisfying? yes no

operate your new NanaWall? no If no, why not? _____

Print Name _____

Signature _____ Date _____

FOLD OR CUT HERE TO MAIL