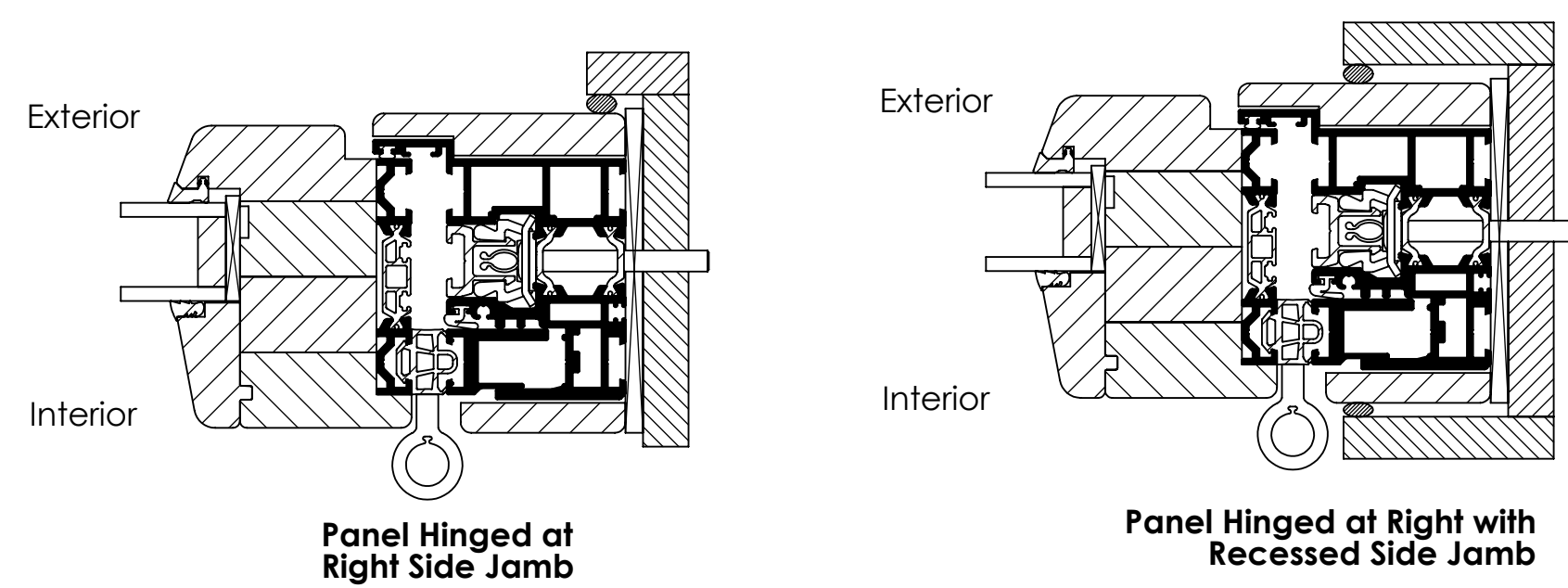
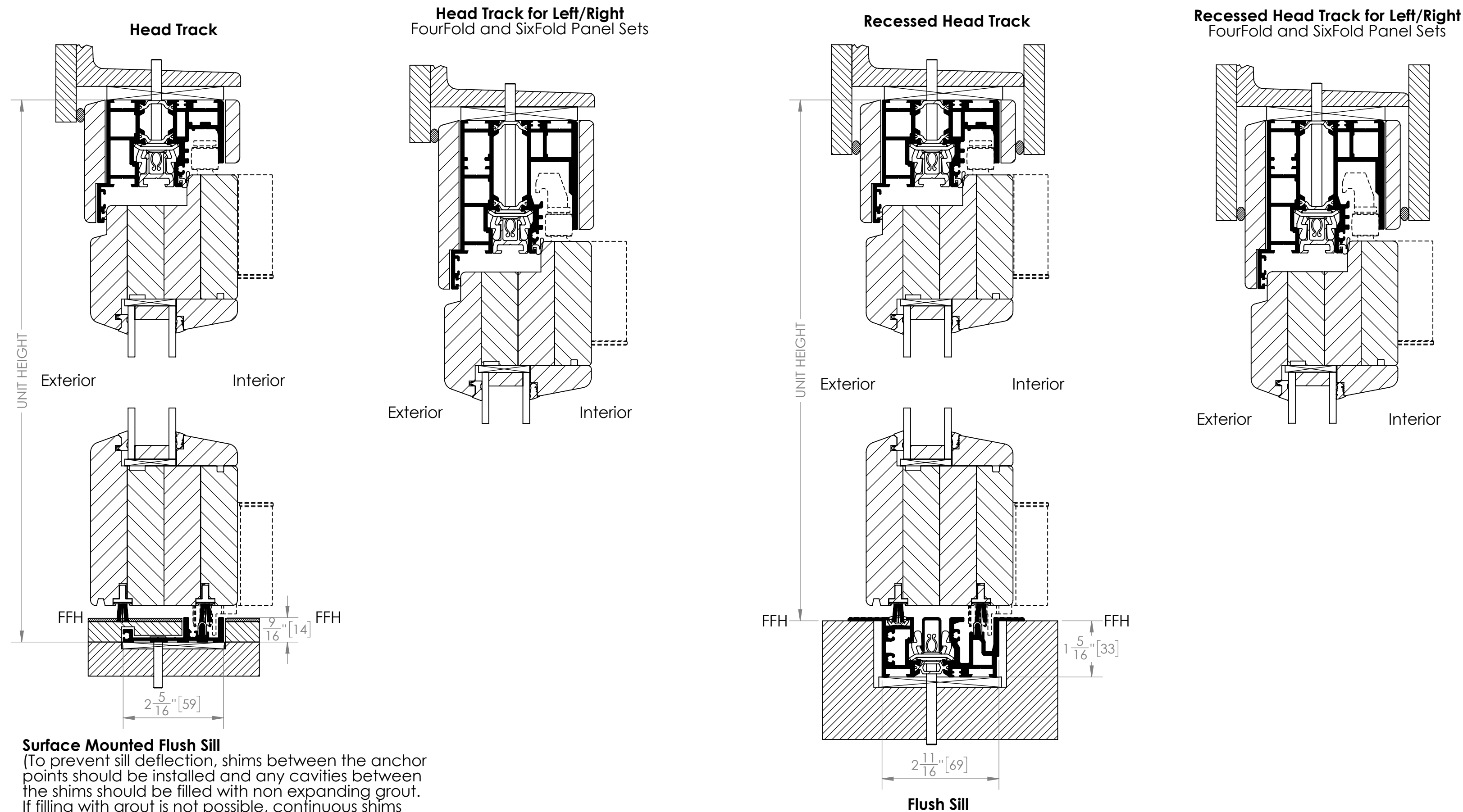


Suggested Typical Installation Inward Opening Details NW Acoustical 545



SPECIFICATIONS AND DETAILS SUBJECT
TO CHANGE WITHOUT NOTICE
©2025 NanaWall Systems, Inc.
www.nanawall.com

For more information about preparing the rough opening, installation and operation of this folding system, please look at the installation and Owner's Manual for the Generation 4 Folding Glass Walls.