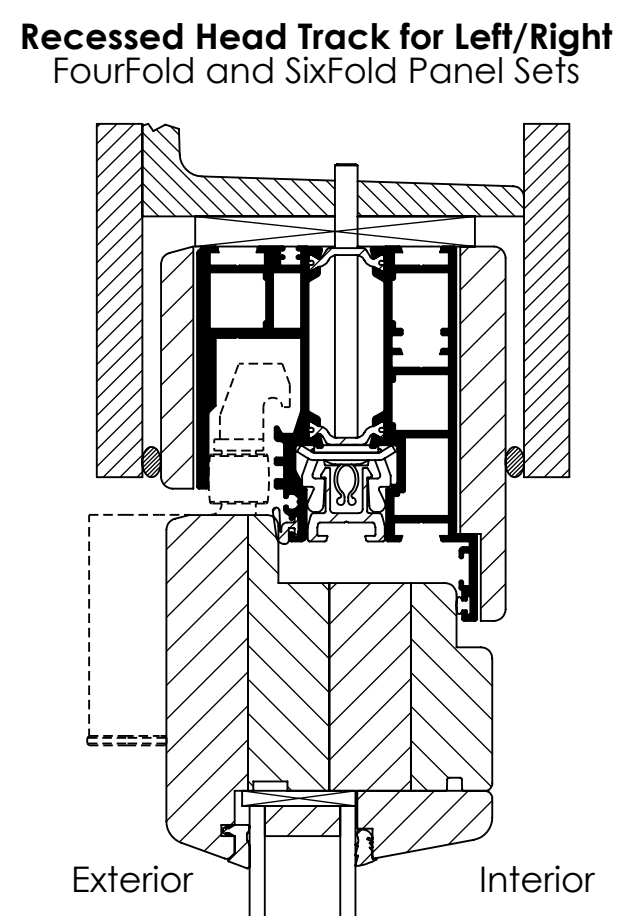
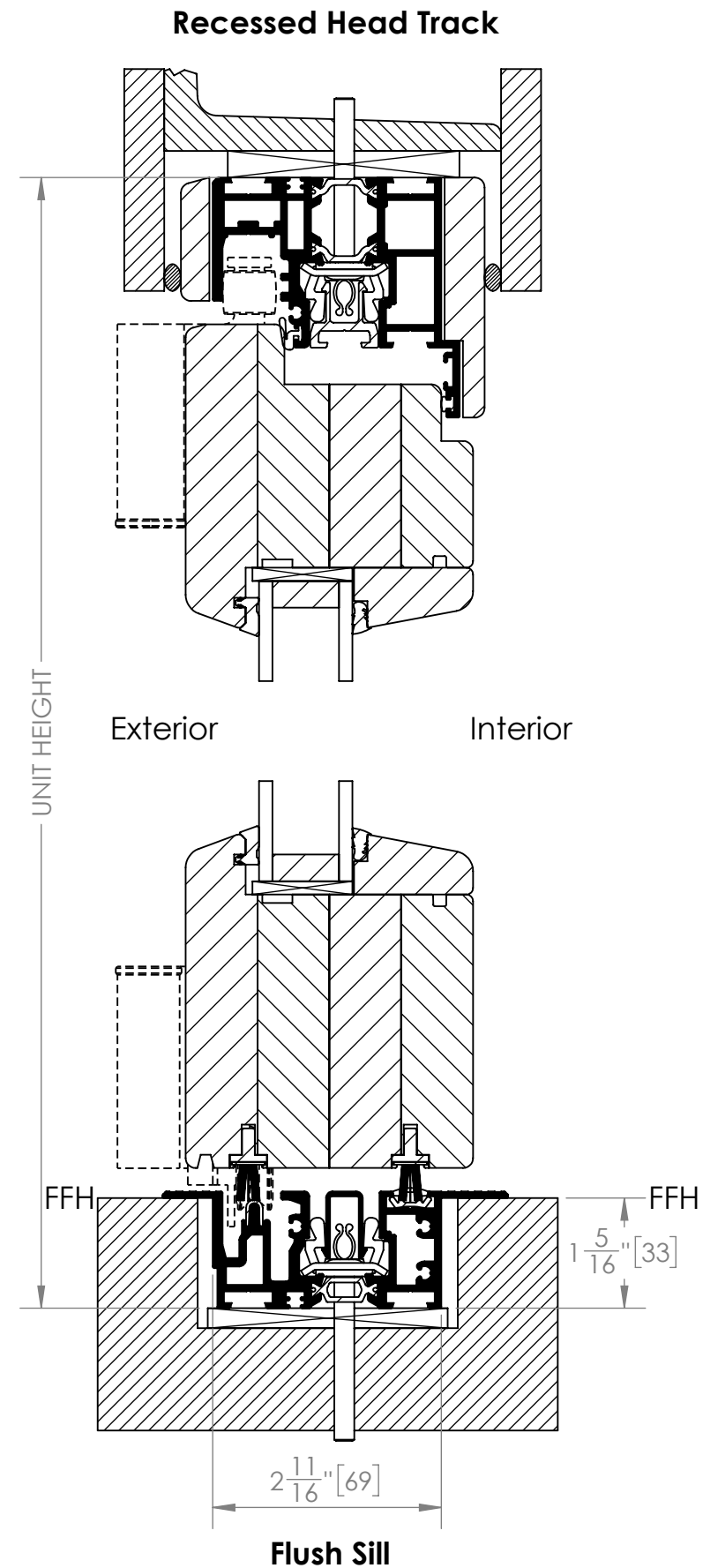
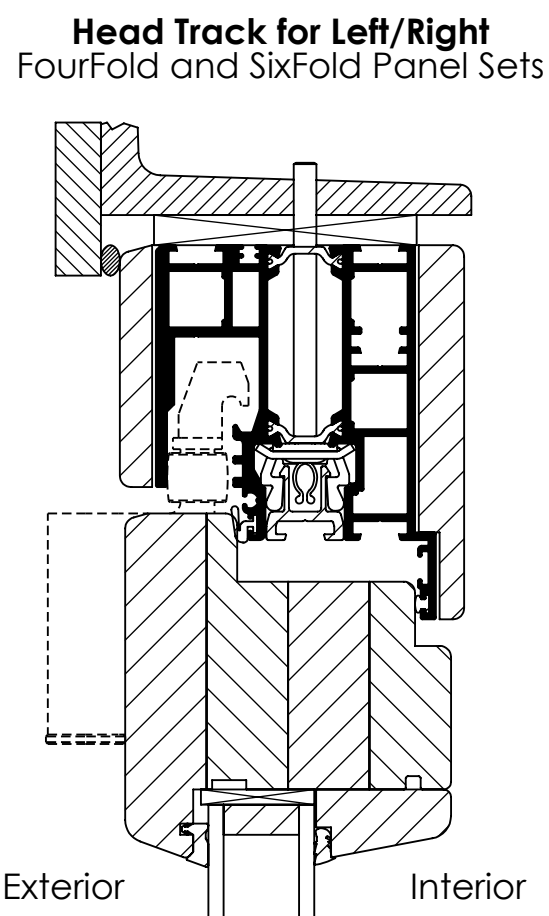
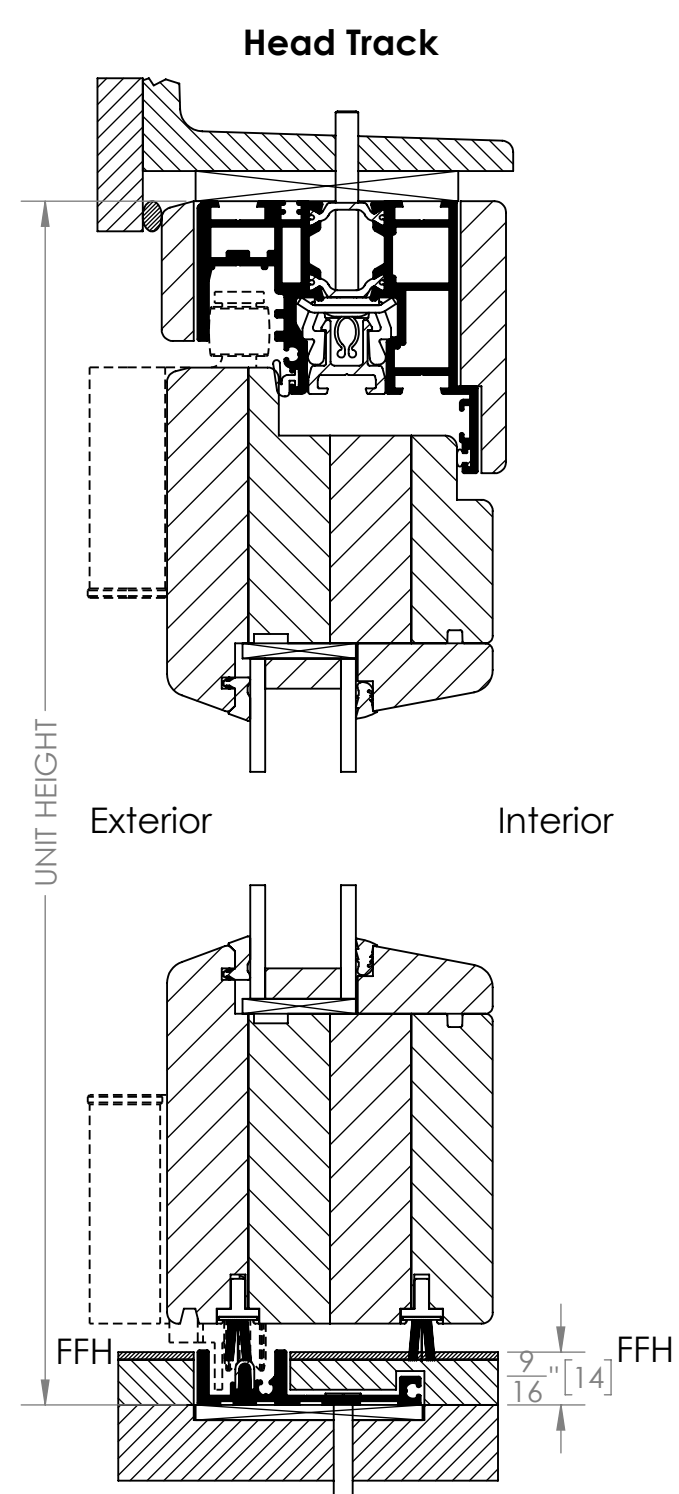
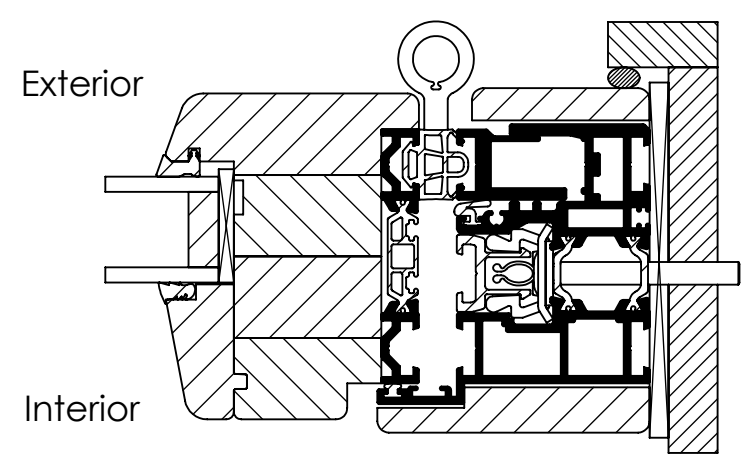


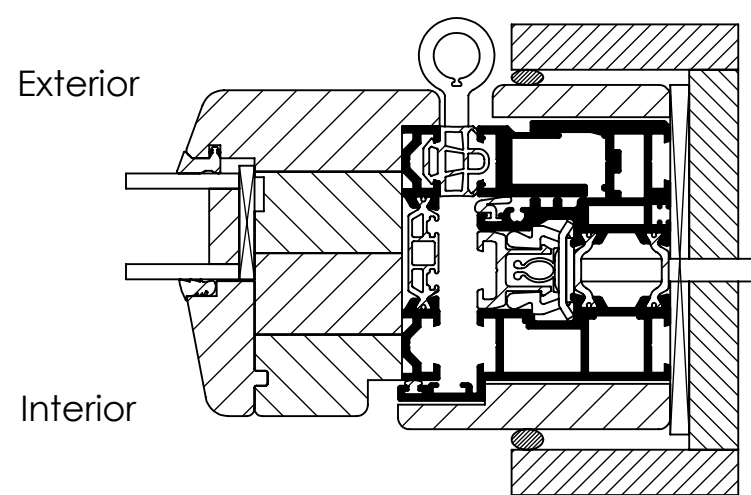
Suggested Typical Installation Outward Opening Details NW Acoustical 545



Surface Mounted Flush Sill
(To prevent sill deflection, shims between the anchor points should be installed and any cavities between the shims should be filled with non-expanding grout. If filling with grout is not possible, continuous shims should be placed along the entire length of the sill to provide continuous solid support and level condition.)



Panel Hinged at Right Side Jamb



Panel Hinged at Right with Recessed Side Jamb

SPECIFICATIONS AND DETAILS SUBJECT TO CHANGE WITHOUT NOTICE
©2025 NanaWall Systems, Inc.
www.nanawall.com

For more information about preparing the rough opening, installation and operation of this folding system, please look at the installation and Owner's Manual for the Generation 4 Folding Glass Walls.